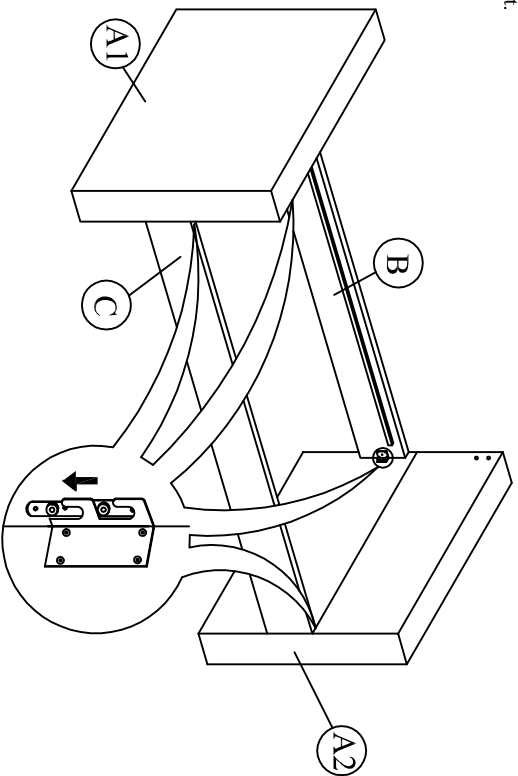


MODEL: CF 8519 (3)

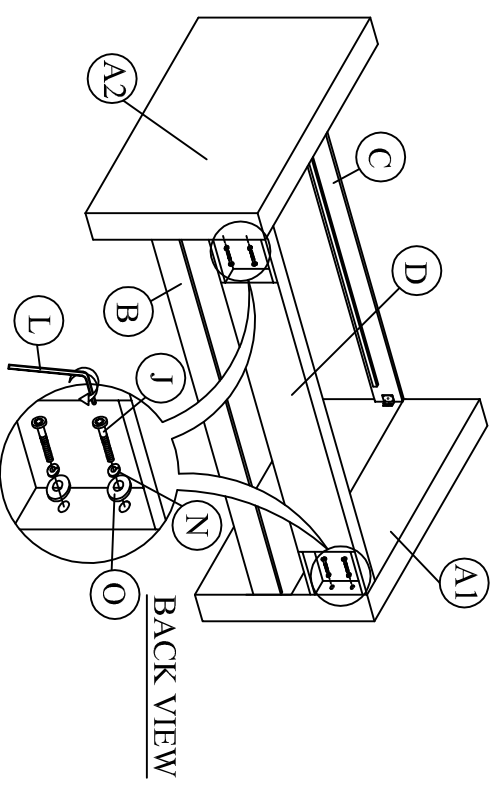
ASSEMBLY INSTRUCTION

A		1 pc
B		1 pc
C		1 pc
D		1 pc
E		1 pc
F		1 pc
G		2 pcs
H		2 pcs
I		4 pcs
J		4 pcs
K		1 pc
L		1 pc
M		56 pcs
N		8 pcs
O		8 pcs

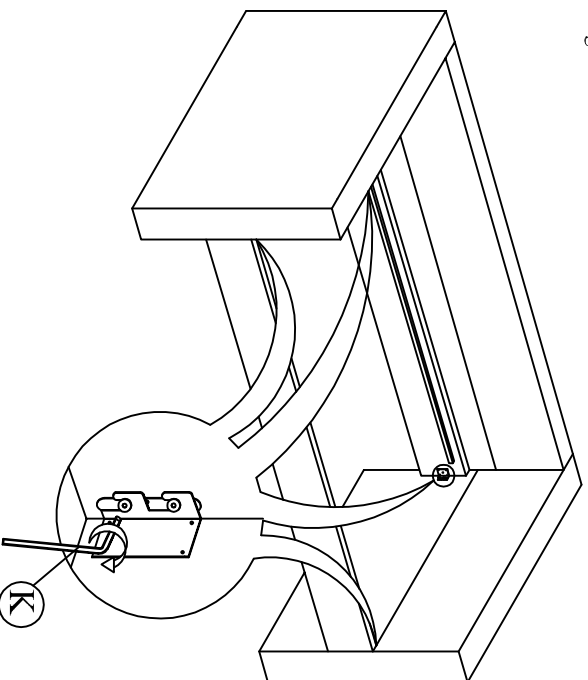
Step 1: Attach side rail (B) and side rail (C) to arm (A) by pushing the bracket down to fit it.



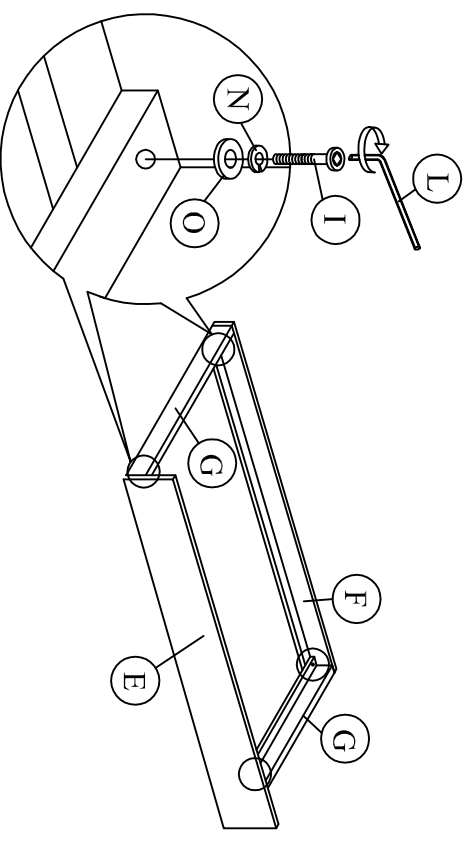
Step 2: Attach the Back Panel (D) to the arm (A) as shown.



Step 3: Tighten all the 4 corner .



Step 4: Affix the bottom side panel (G) to the bottom front panel (E) and bottom back panel (F) as shown.



Step 5: Affix the Slat (H) to the

