






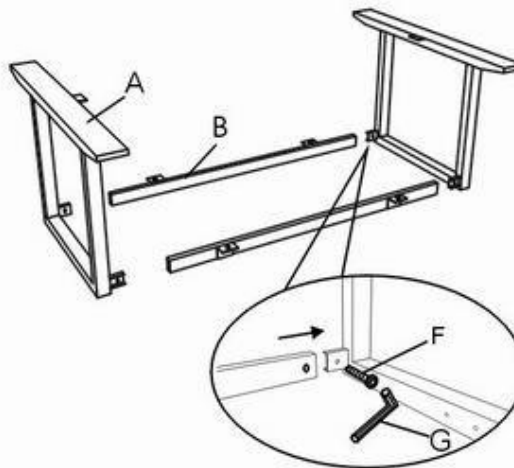


DC271 TABLE

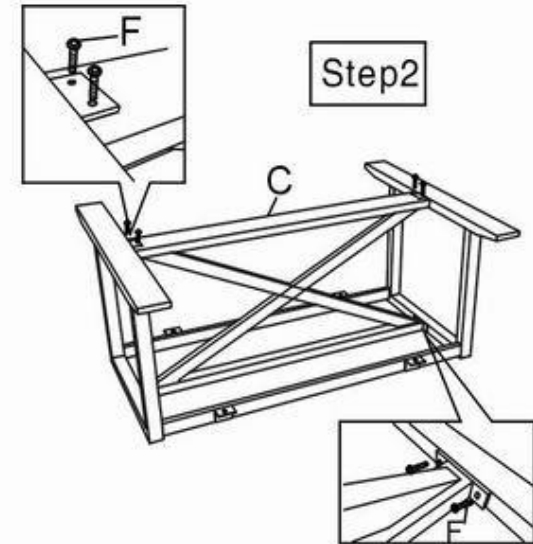
NO.	QTY	DRAWING	DESCRIPTION
A	2		SIDE FRAME
B	2		TOP RAIL
C	1		X RAIL
D	1		TABLE TOP
E	1		TABLE LEAF
F	16		1/4x12mm
G	1		4mm

Note:Pls do not tighten all bolts until the table is assembled completely.Once assembled,tighten all bolts before attaching the table.

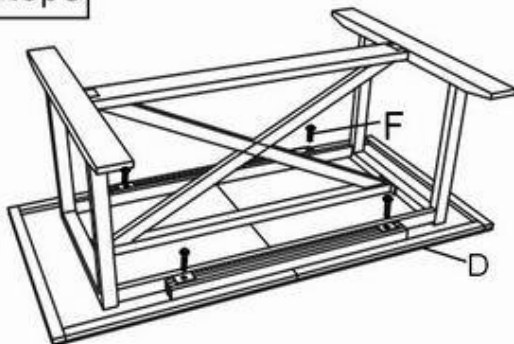
Step1



Step2



Step3



Step4



Step5

