







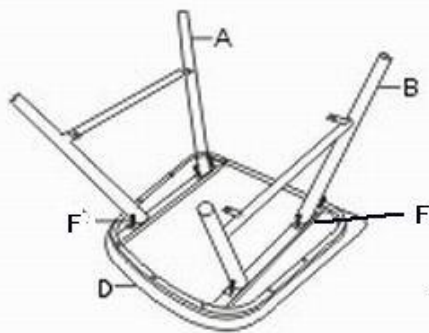
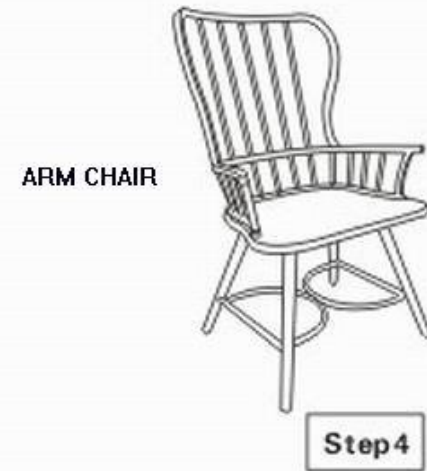


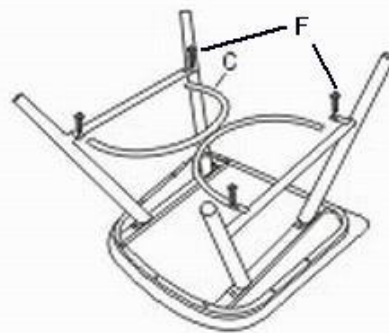
DC271 CHAIR

Note:Pls do not tighten all bolts until the chair is assenbled completely.Once assenbled,tighten all bolts before attaching the chair .And Making a sure all legs horizational.

NO.	QTY	DRAWING	DESCRIPTION
A	1	 L	LEFT SIDE CHAIR LEG
B	1	 R	RIGHT SIDE CHAIR LEG
C	1		STRECHER
D	1		SEAT PANEL
E	1		CHAIR BACK SIDE / ARM
F	10		1/4x12m m
G	5 PCS (S.C) 7 PCS (A.C)		1/4x40m m
H	1		4mm



Step1



Step2



Step3



Step4

SIDE CHAIR