

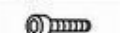

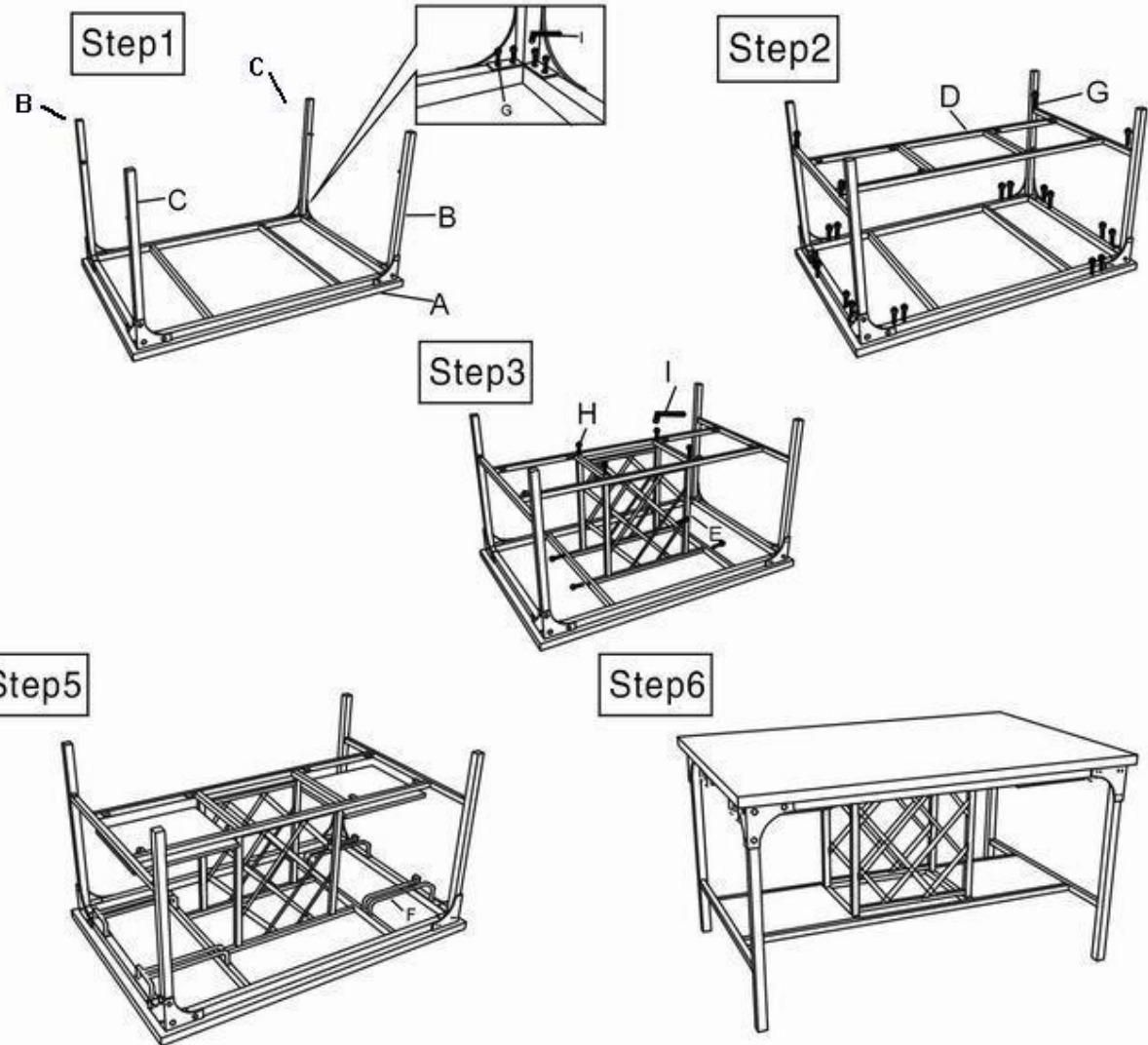










NO.	QTY	DRAWING	DESCRIPTION
A	1		TABLE TOP
B	2		LEFT LEG
C	2		RIGHT LEG
D	1		SHELF FRAME
E	2		WINE RACK
F	4		GLASS HOLDER
G	28		1/4x12mm
H	8		1/4x25mm
I	1		4mm

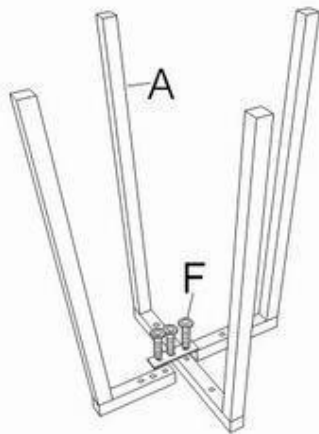
Note:Pls do not tighten all bolts until the table is assembled completely.Once assembled,tighten all bolts before attaching the table.



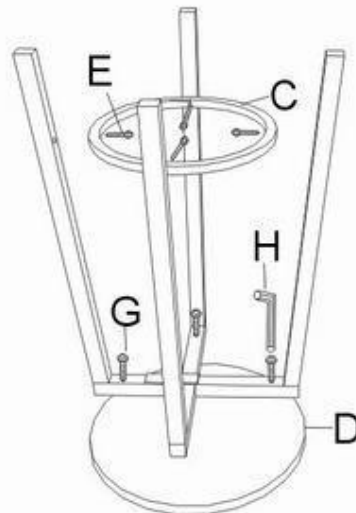
DC252 STOOL

NO.	QTY	DRAWING	DESCRIPTION
A	1		CROSS LEG
B	1		"L" LEGS
C	1		ROUND FOOT REST
D	1		SEAT PANEL
E	4		1/4x25mm
F	3		1/4x12mm
G	4		1/4x30mm
H	1		4mm

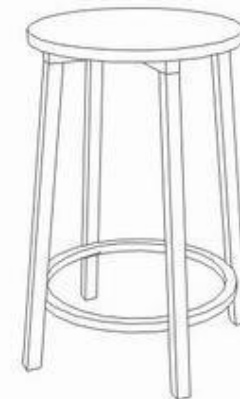
Note: Pls do not tighten all bolts until the chair is assembled completely. Once assembled, tighten all bolts before attaching the chair, making a sure stool legs horizontal



Step1



Step2



Step3