




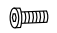
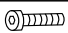
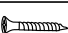

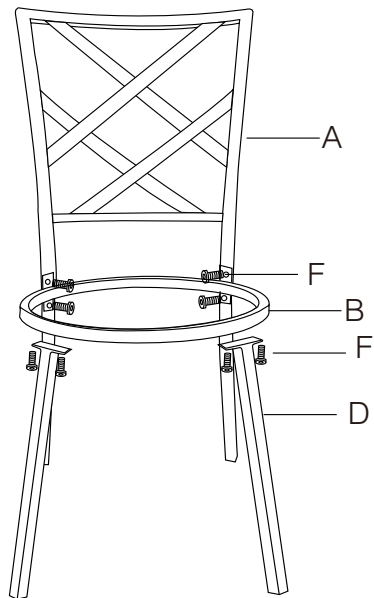


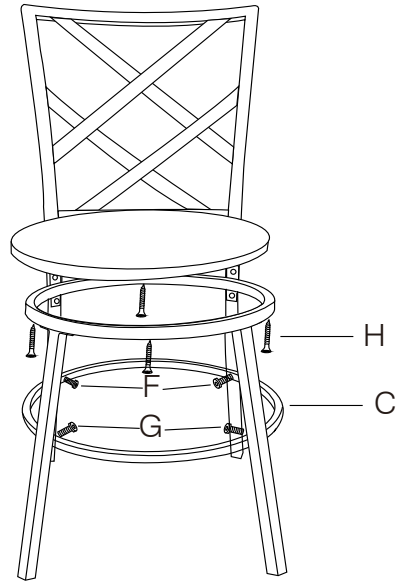
DC252-SIDE CHAIR

NO.	QTY	DRAWING	DESCRIPTION
A	1		Chair Back
B	1		Seat Frame
C	1		Strecher
D	2		Front Legs
E	1		Seat Panel
F	10		1/4 X 12 mm
G	2		1/4 X 25 mm
H	4		4 X 25 mm
I	1		4 mm

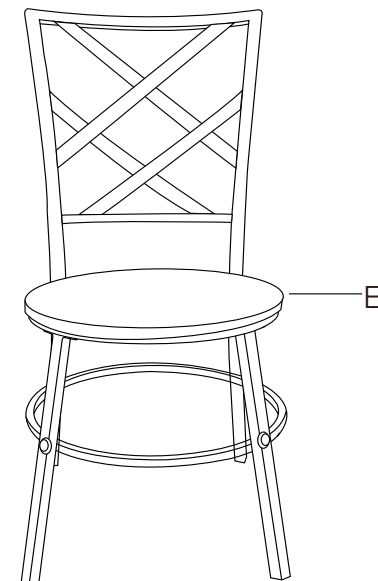
Note: Pls do not tighten all bolts until the chair is assembled completely. Once assembled, tighten all bolts before attaching the chair.



Step1



Step2



Step3