

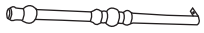

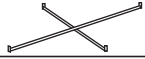

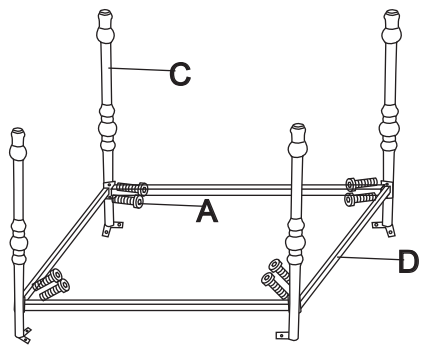
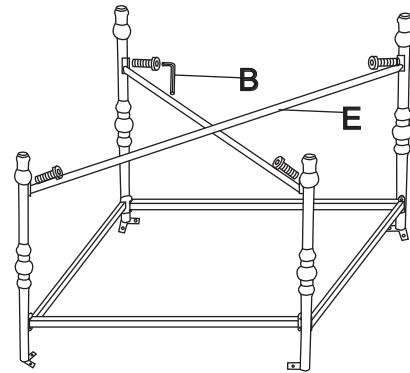


NO.	QTY	DRAWING	DESCRIPTION
A	20		1/4X12mm
B	1		Allen Key
C	4		LEG
D	1		TOP METAL FRAME
E	1		Strecher
F	1		TABLE TOP

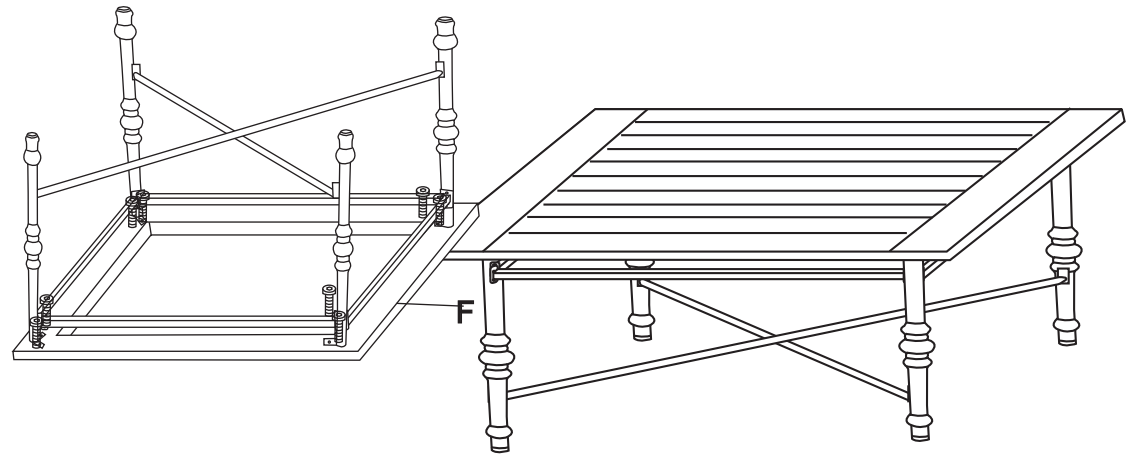
Note:Pls do not tighten all bolts until the table is assembled completely.Once assembled,tighten all bolts before attaching the table.



Step1





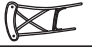






Step2

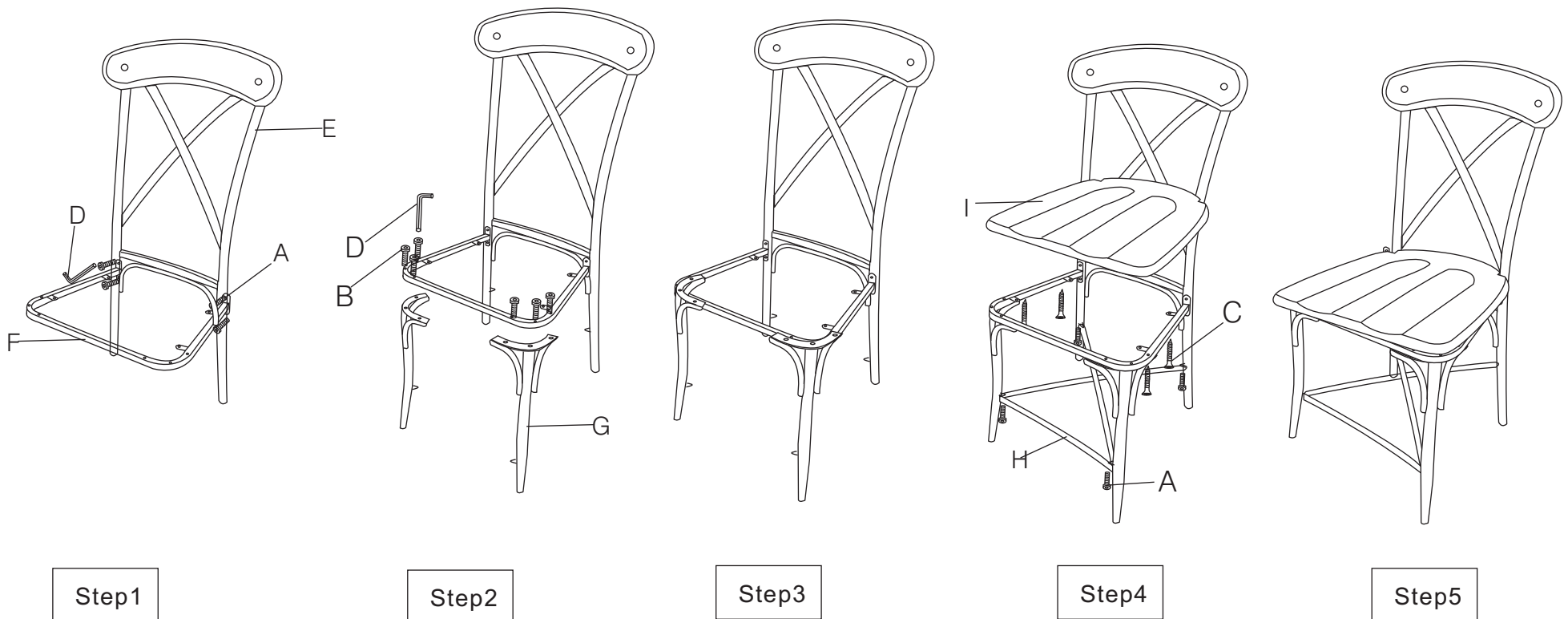




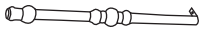

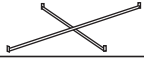

Step3

Step4

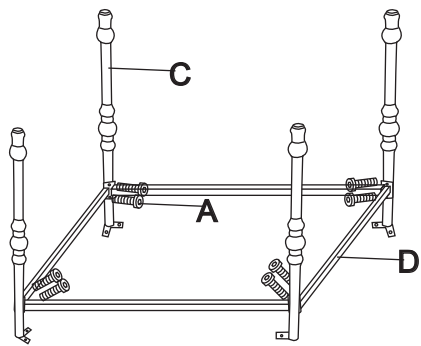
NO.	QTY	DRAWING	DESCRIPTION
A	8		1/4X12mm
B	6		1/4X25mm
C	4		4X16mm
D	1		4mm
E	1		Chair Back
F	1		Seat Frame
G	2		LEGS
H	1		Strecher
I	1		Seat Panel

Note:Pls do not tighten all bolts until the chair is assembled completely.Once assembled,tighten all bolts before attaching the chair.

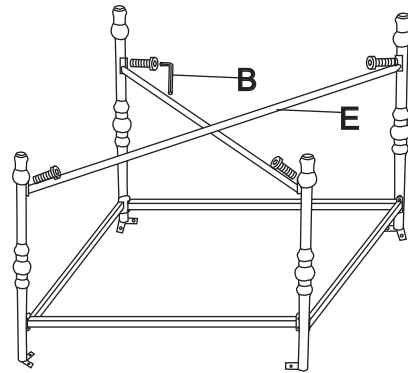


NO.	QTY	DRAWING	DESCRIPTION
A	20		1/4X12mm
B	1		ALLEN KEY
C	4		LEGS
D	1		TOP METAL FRAME
E	1		STRECHER
F	1		TABLE TOP

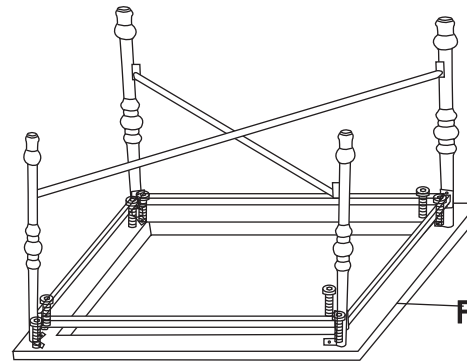
Note:Pls do not tighten all bolts until the table is assembled completely.Once assembled,tighten all bolts before attaching the table.



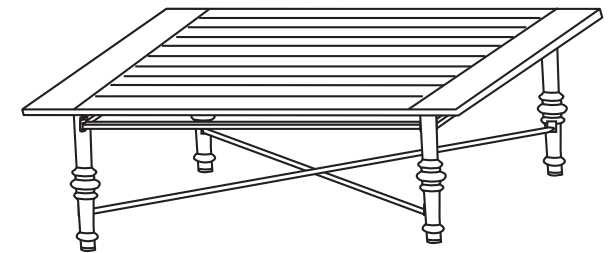
Step1



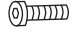


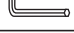





Step2



Step3



Step4

NO.	QTY	DRAWING	DESCRIPTION
A	8		1/4X12mm
B	6		1/4X25mm
C	4		4X16mm
D	1		4mm
E	1		Chair Back
F	1		Seat Frame
G	2		LEGS
H	2		Corner support
I	1		Seat Panel

Note:Pls do not tighten all bolts until the chair is assembled completely.Once assembled,tighten all bolts before attaching the chair.

