

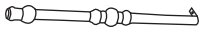

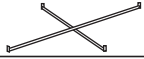

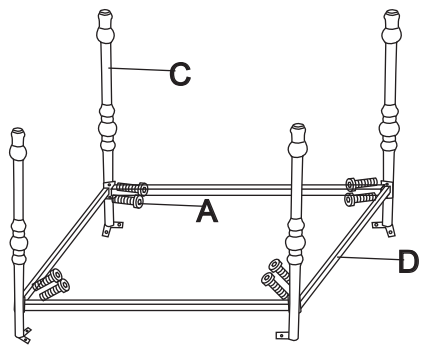
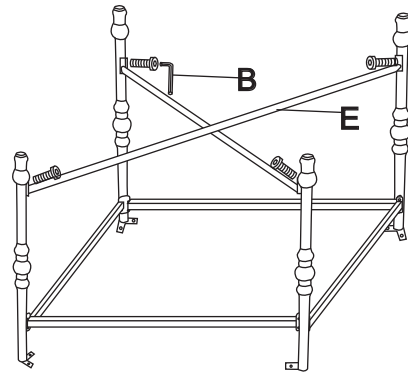


NO.	QTY	DRAWING	DESCRIPTION
A	20		1/4X12mm
B	1		ALLEN KEY
C	4		LEGS
D	1		TOP METAL FRAME
E	1		STRECHER
F	1		TABLE TOP

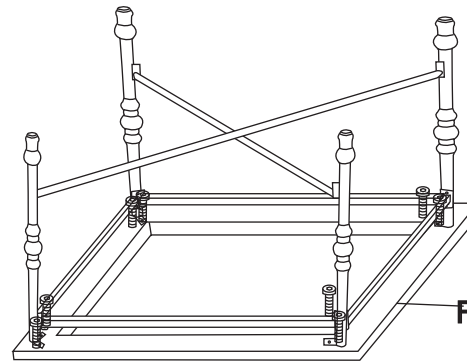
Note:Pls do not tighten all bolts until the table is assembled completely.Once assembled,tighten all bolts before attaching the table.



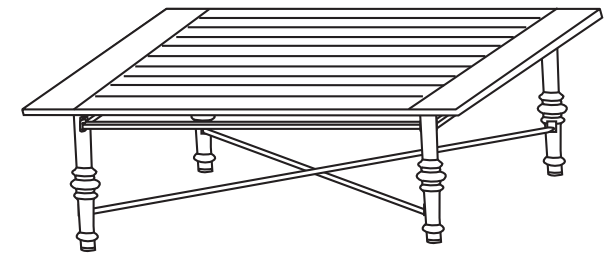
Step1



Step2



Step3



Step4