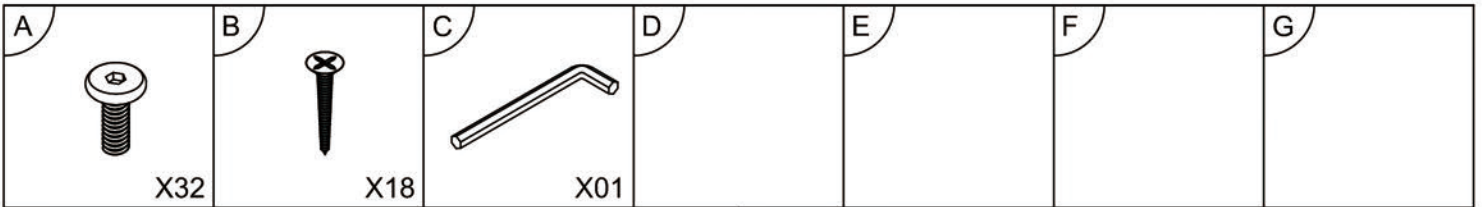
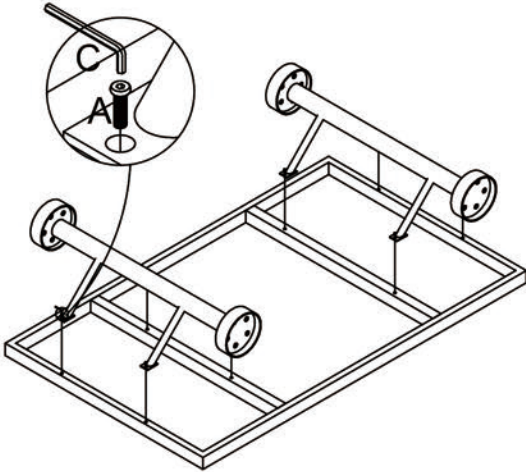


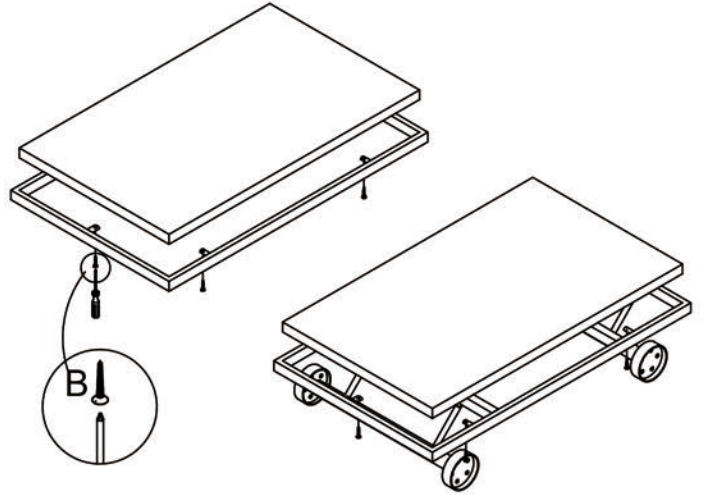
CA-1130



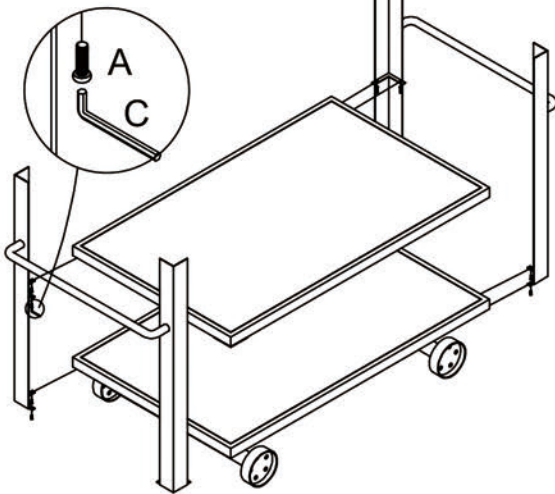
STEP 1.



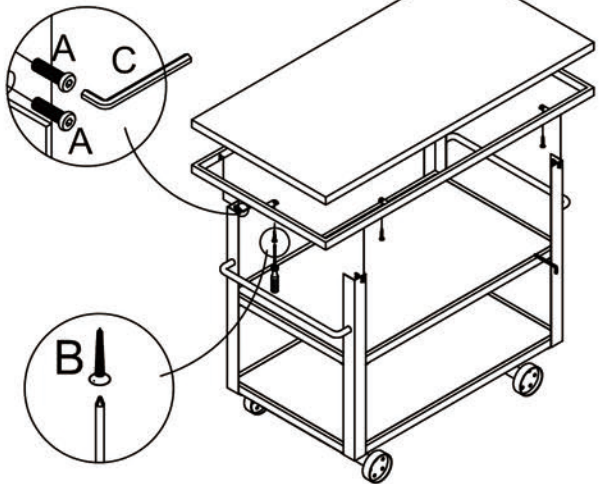
STEP 2.



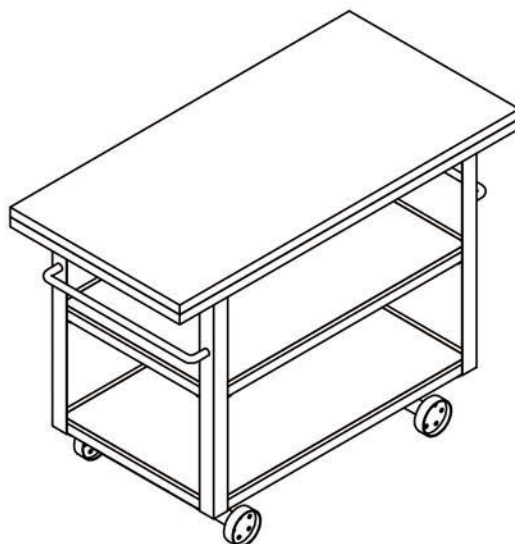
STEP 3.



STEP 1.



STEP 5.



Note: Please do not tighten all bolts until the product is assembled completely.