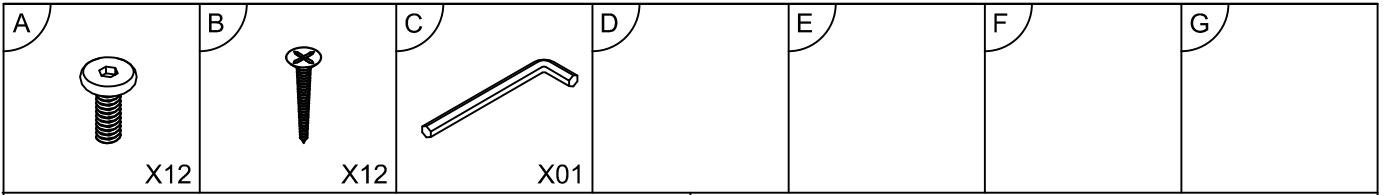
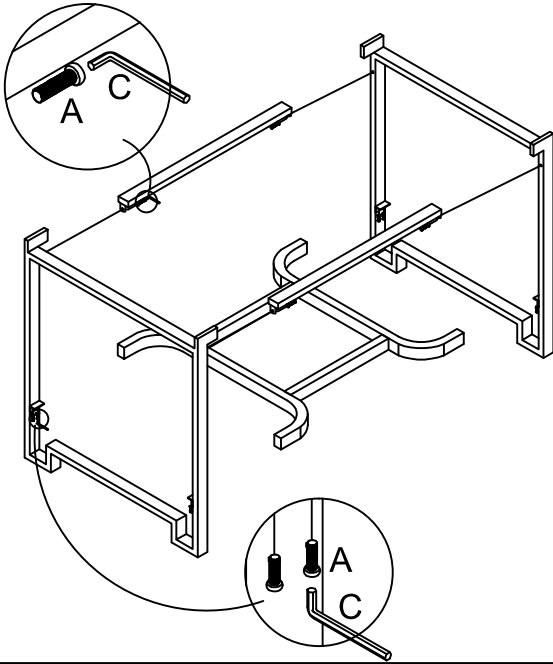


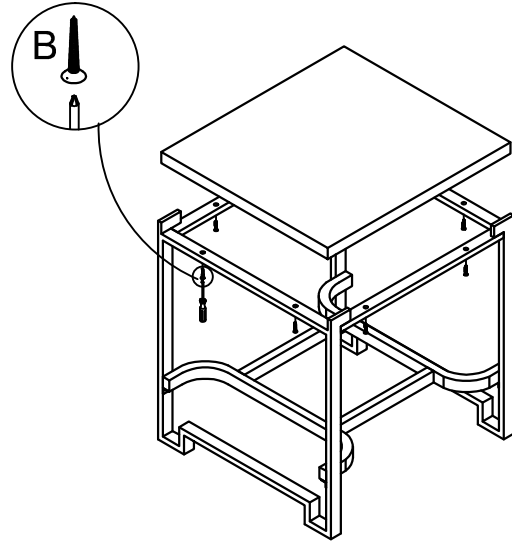
# CA-1126-ET



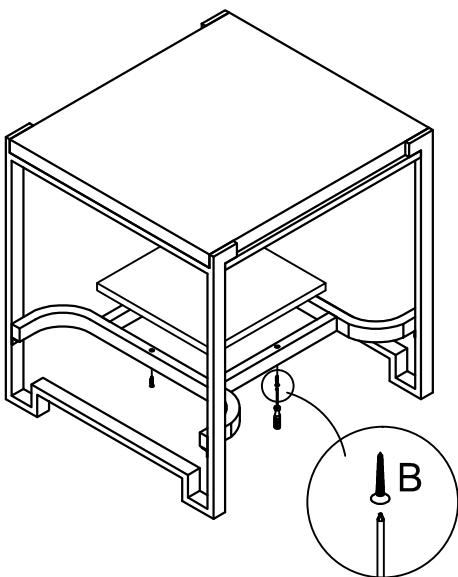
## STEP 1.



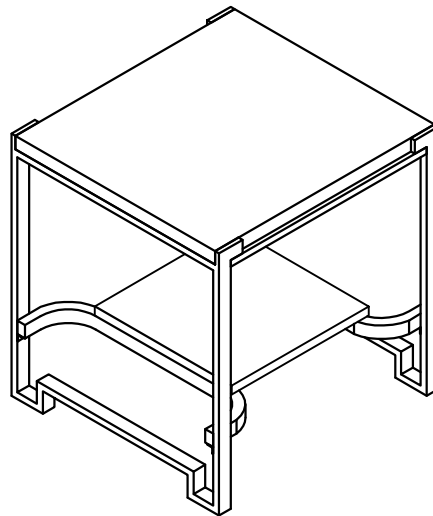
## STEP 2.



## STEP 3.



## STEP 4.



**Note:** Do not tighten all bolts until the product is assembled completely.