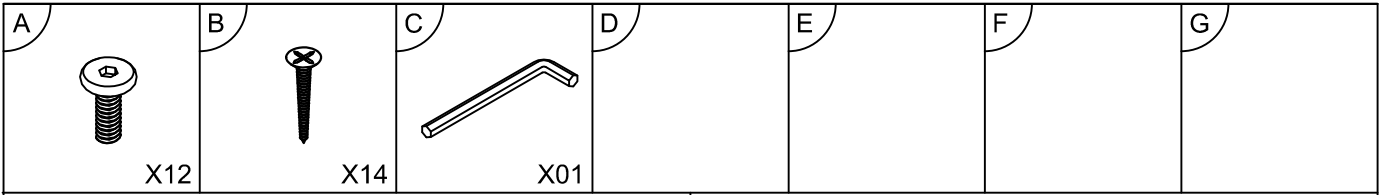
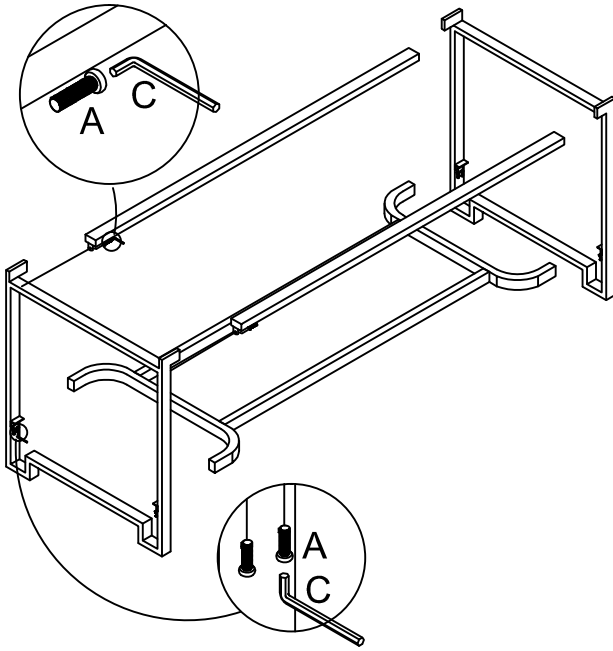


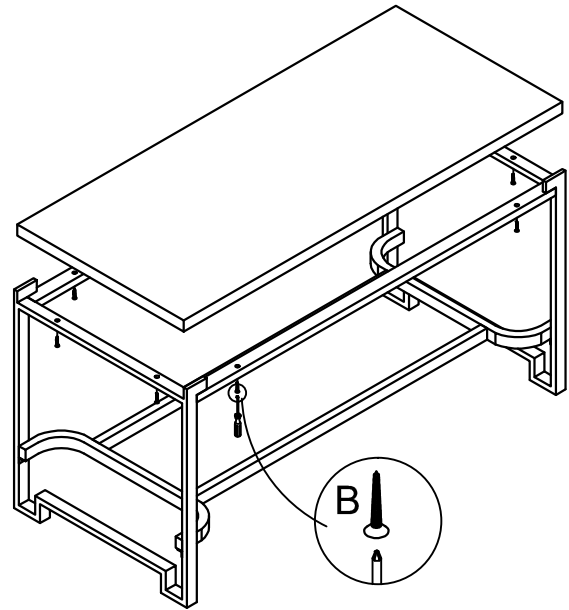
CA-1126-CT



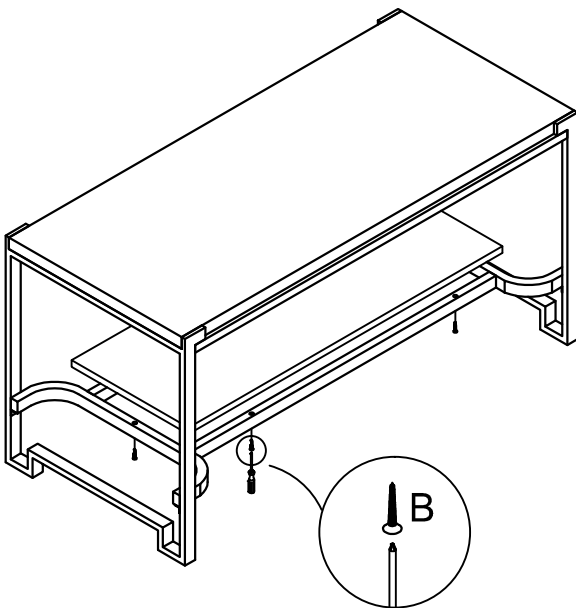
STEP 1.



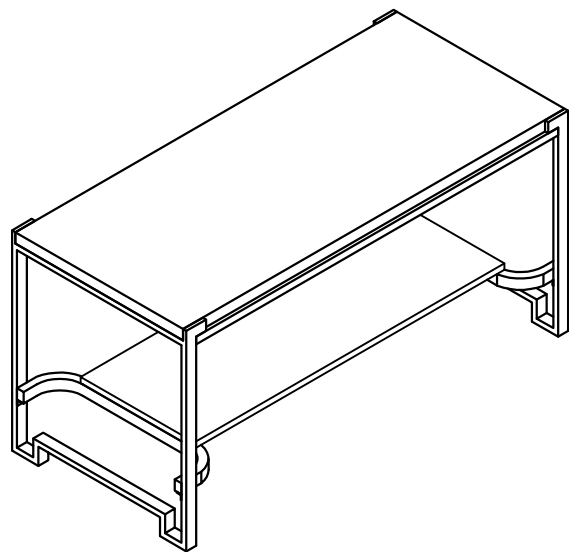
STEP 2.



STEP 3.



STEP 4.



Note: Pis do not tighten all bolt until the products is assembled completely