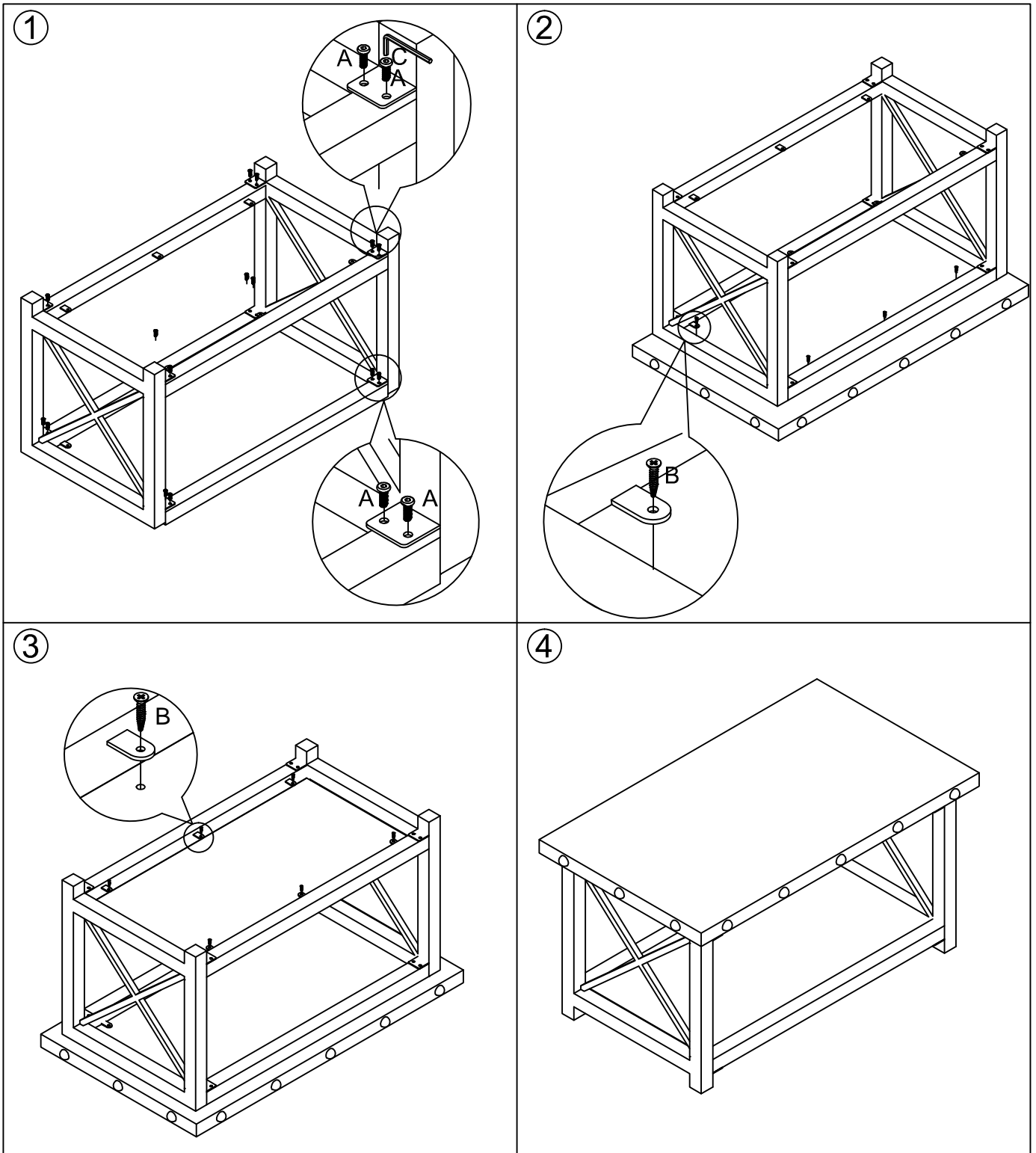
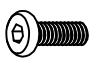




CA-1117-ST



Note: Pls do not tighten all bolts until the products is assembled completely.

<p>A</p>  <p>1/4"x12mm X16</p>	<p>B</p>  <p>M5X15 X12</p>	<p>C</p>  <p>4X4 X1</p>		
---	---	--	--	--