

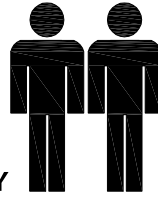
**MODEL NAME:**

**CA 6680-02**

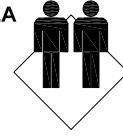
**1.5hr**

**APPROXIMATE ASSEMBLY TIME**

**2 PERSON OF ASSEMBLY**

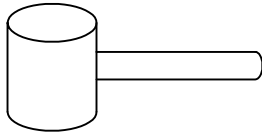


**FLOOR AREA**  
1.5M X 1.5M



**REQUIRED ASSEMBLY SPACE**

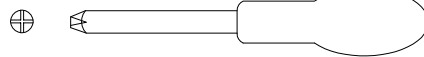
**REQUIRED ASSEMBLY TOOLS**



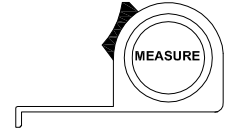
**SOFT RUBBER HAMMER**



**SLOTTED SCREWDRIVER**

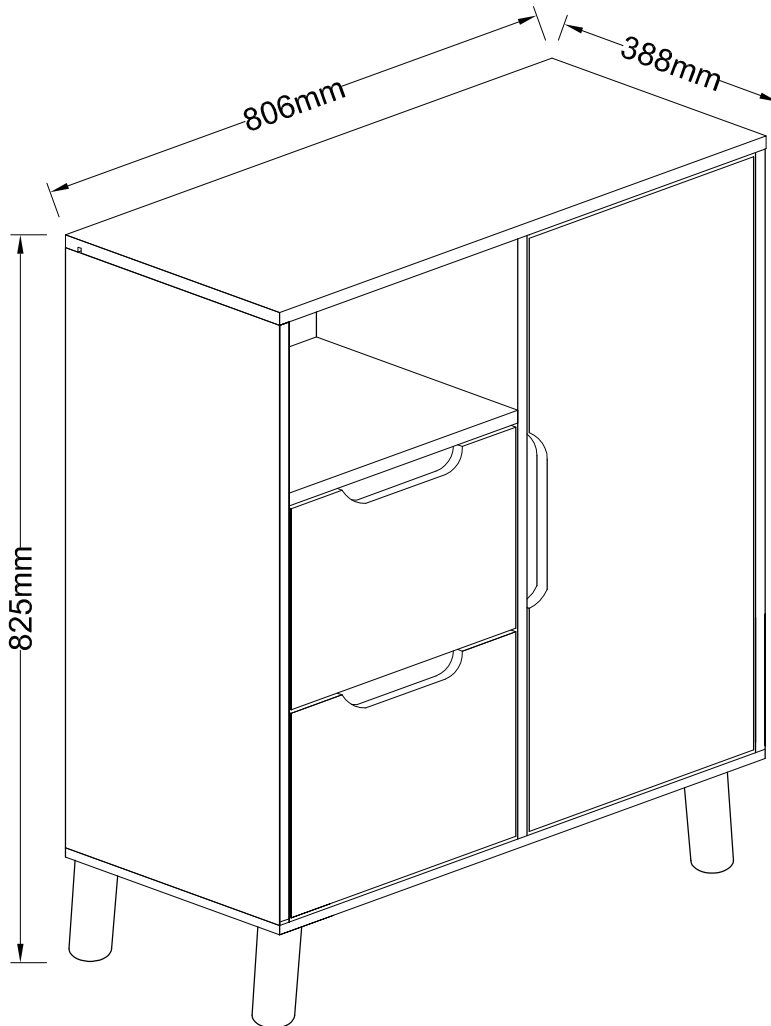


**POZI SCREWDRIVER**



**MEASURING TAPE**

**ASSEMBLED DIMENSIONS**



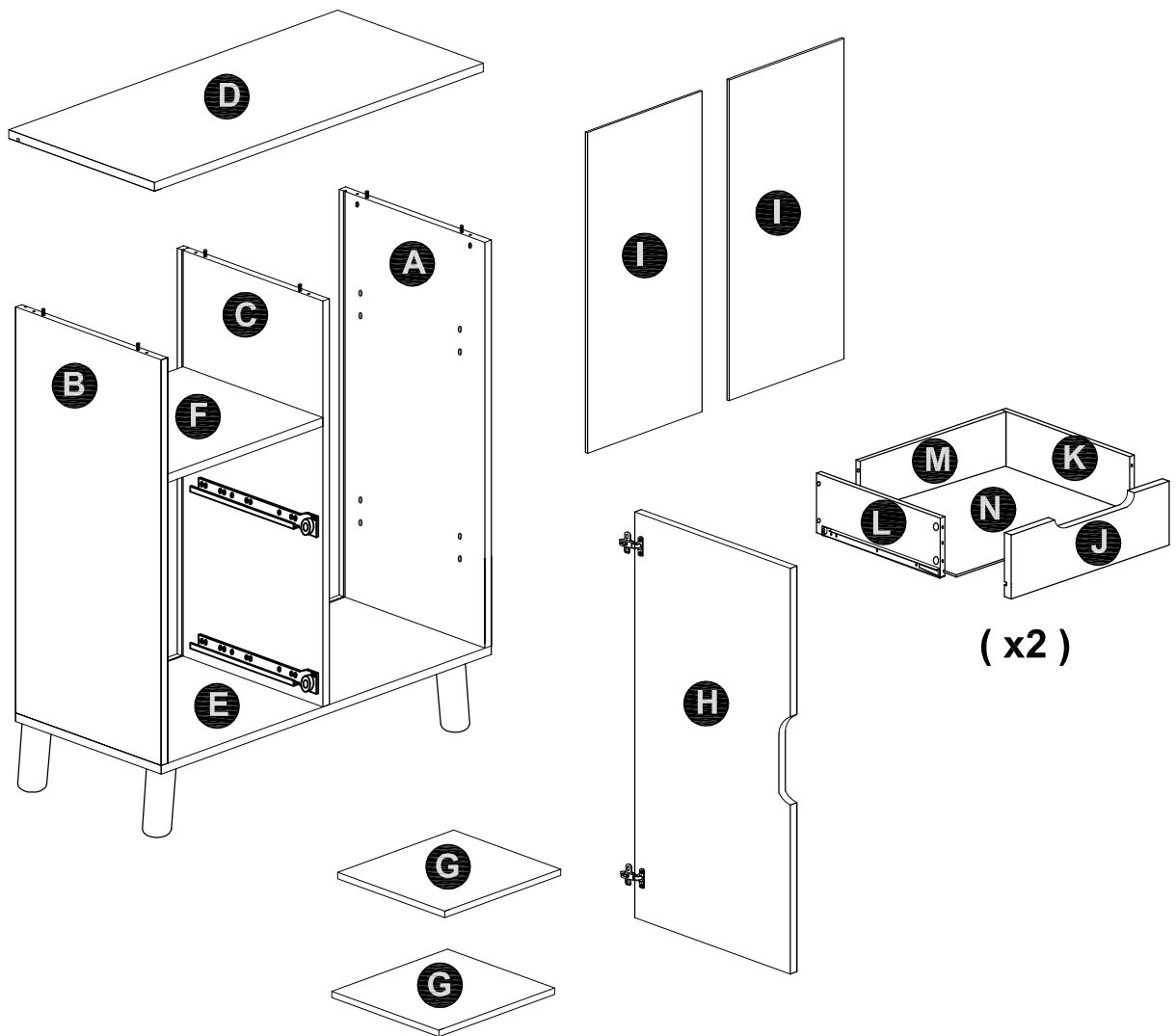
**NOTE : THE MAXIMUM WEIGHT THIS PRODUCT CAN HOLD UP TO 25 KGS.**

**MODEL NAME:**

**CA 6680-02**

<b>NO.</b>	<b>PART LIST</b>	<b>QTY</b>	<b>NO.</b>	<b>PART LIST</b>	<b>QTY</b>
(A)	RIGHT SIDE PANEL	1	(J)	DRAWER FRONT	2
(B)	LEFT SIDE PANEL	1	(K)	DRAWER RIGHT SIDE PANEL	2
(C)	CENTRE PANEL	1	(L)	DRAWER LEFT SIDE PANEL	2
(D)	TOP PANEL	1	(M)	DRAWER BACK PANEL	2
(E)	BOTTOM PANEL	1	(N)	DRAWER BASE	2
(F)	FIXED PANEL	1			
(G)	ADJUSTABLE PANEL	2			
(H)	DOOR PANEL	1			
(I)	BACK PANEL	2			

**PARTS LIST**



MODEL NAME:

CA 6680-02

HARDWARE LIST

4cm  
3cm  
2cm  
1cm  
0cm

**1X**  
**1**  
GLUE 10CC

**10X**  
Dia.15mm  
**2**  
LARGE  
CAMLOCK

**4X**  
Dia.15mm  
**3**  
DRAWER  
CAMLOCK

**14X**  
M6.5  
**4**  
QUICKFIT

**20X**  
Dia.6 x 30mm  
**5**  
WOOD  
DOWEL

4cm  
3cm  
2cm  
1cm  
0cm

**8X**  
M3.5 x 25mm  
**6**  
FLAT HEAD  
SCREW

**8X**  
M4 x 30mm  
**7**  
FLAT HEAD  
SCREW

**6X**  
M8 x 38mm  
**8**  
FLAT HEAD  
SCREW

**8X**  
M8 x 5/8mm  
**9**  
FLAT HEAD  
SCREW

**1X**  
**10**  
DOOR  
SOFT CLOSE

**2X**  
**11**  
ADJUSTABLE  
HINGE

**8X**  
**12**  
BACKPLY  
STOPPER

**8X**  
M3 x 20mm  
**13**  
FLAT HEAD  
SCREW

**8X**  
Dia.5 x 16mm  
**14**  
SHELF  
STUB

**4X**  
M8 x 70mm  
**15**  
ALLEN HEAD  
BOLT

**1X**  
M5  
**16**  
ALLEN KEY

**4X**  
5/16  
**17**  
SPRING  
WASHER

**4X**  
22 x 5/16  
**18**  
FLAT  
WASHER

**2X**  
**19**  
ANTI TIP  
STRAP

**4X**  
**20**  
Ø45- 160mm  
LEG

**1X**  
**21**  
WOODEN FRAME

**MODEL NAME:**

**CA 6680-02**

### **Top Tips before you start!**

1. Please check that all parts are present before you start the assembly of your furniture.
2. For ease and speed of assembly, we recommend that before you commence each step of the assembly, that you identify all the parts required for that step.
3. For larger items, please ensure that you have sufficient space and people ( as indicated on page 1 ) to assemble your product safely
4. We recommend that, where possible, all items are assembled near to the area in which they will be placed in use, to avoid moving the product unnecessarily once assembled.
5. For the protection of your furniture, particularly items of high gloss finish, we recommend that the product is placed on a protected surface during assembly to prevent any damage.
6. Caution - Electric / Battery operated screw driver NOT RECOMMENDED.
7. During assembly please take care not to over-tighten any fittings, as this may damage the product.
8. Always place the product on a flat, steady and stable surface.
9. Do not sit or stand on the product.  
Do not use the product as a stepladder.
10. This product is intended for indoor, household use only as it is non industrial product.
11. This product is constructed from re-inforced hollow board. Excessive pressure cause irreparable damage. Please do not kneel on any part of this product during assembly.

### **Care and Maintenance of your Furniture**

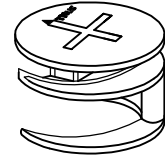
- Please periodically check all fittings and re-tighten as necessary.
- To clean your item, please use a damp cloth and wipe clean.
- Never allow any kind of liquid to remain on your furniture.
- Please do not place hot items (e.g. hot drinks ) directly on to the wood surface.
- Please do not drag and pull your furniture.

MODEL NAME:

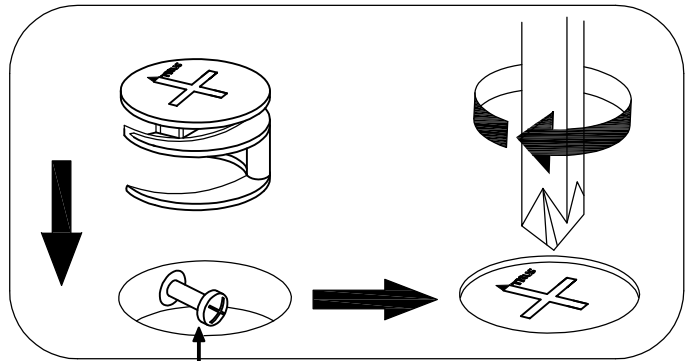
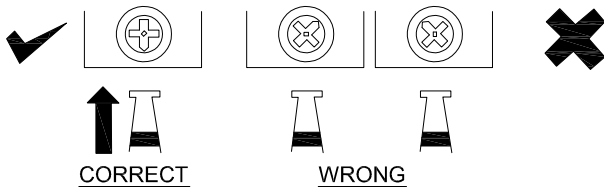
CA 6680-02

# SPECIAL TIPS FOR FITTING CAM-LOCKS AND QUICKFIT

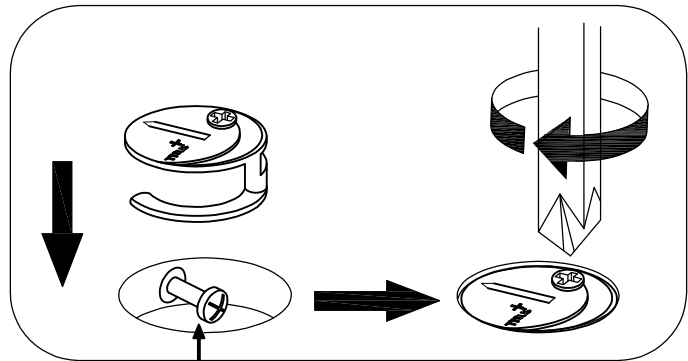
LARGE CAM-LOCK



WHEN FITTING CAMLOCK  
ENSURE STARTING POSITION IS CORRECT  
BEFORE YOU INSERT CONNECTING QUICKFIT  
TURN CLOCKWISE UNTIL SECURE



Quickfit head needs to be in centre



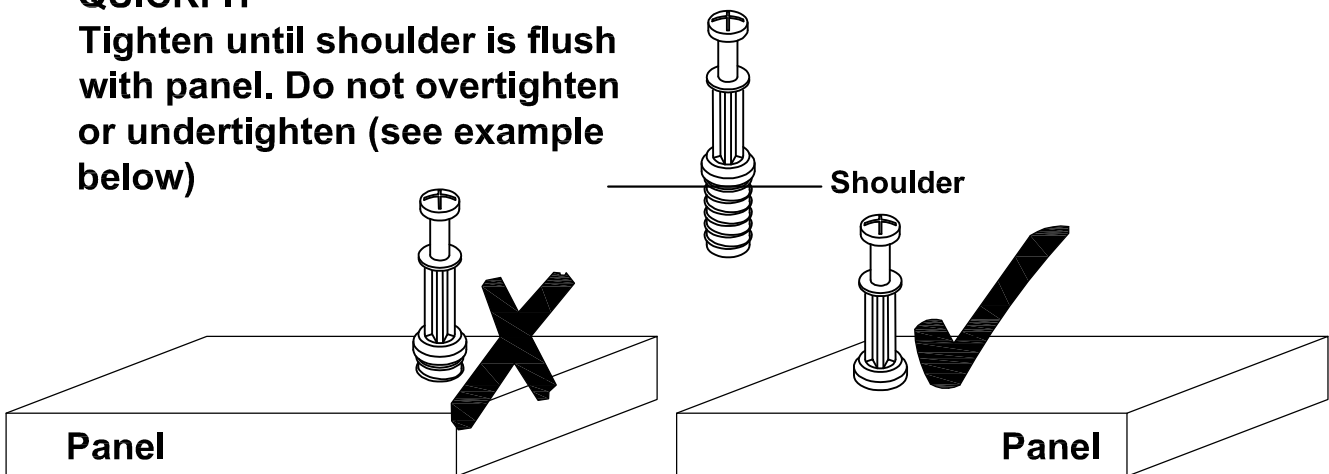
Quickfit head needs to be in centre

DRAWER CAM-LOCK



QUICKFIT

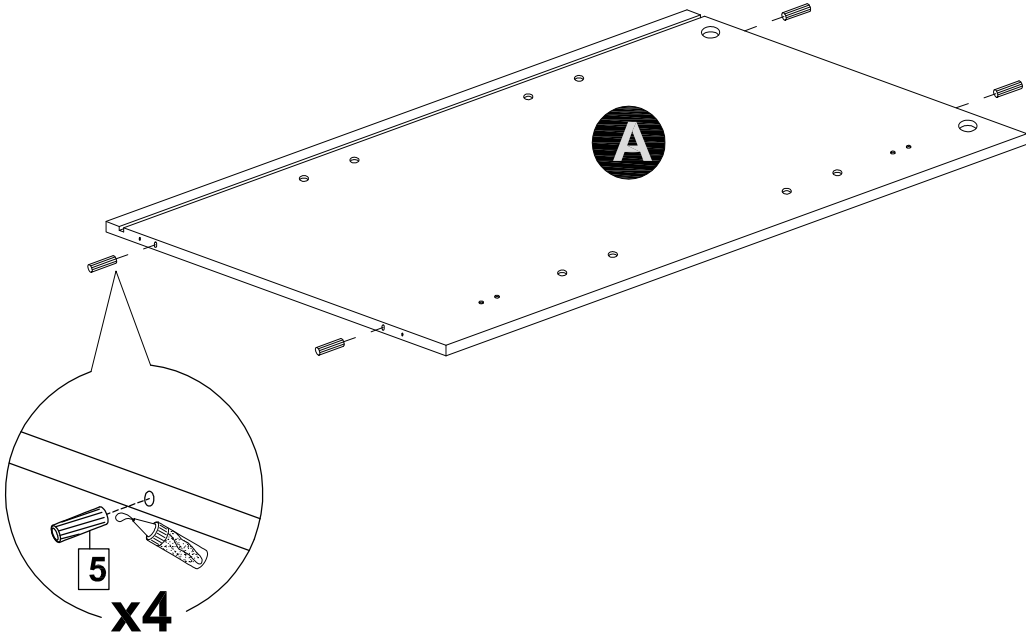
Tighten until shoulder is flush with panel. Do not overtighten or undertighten (see example below)



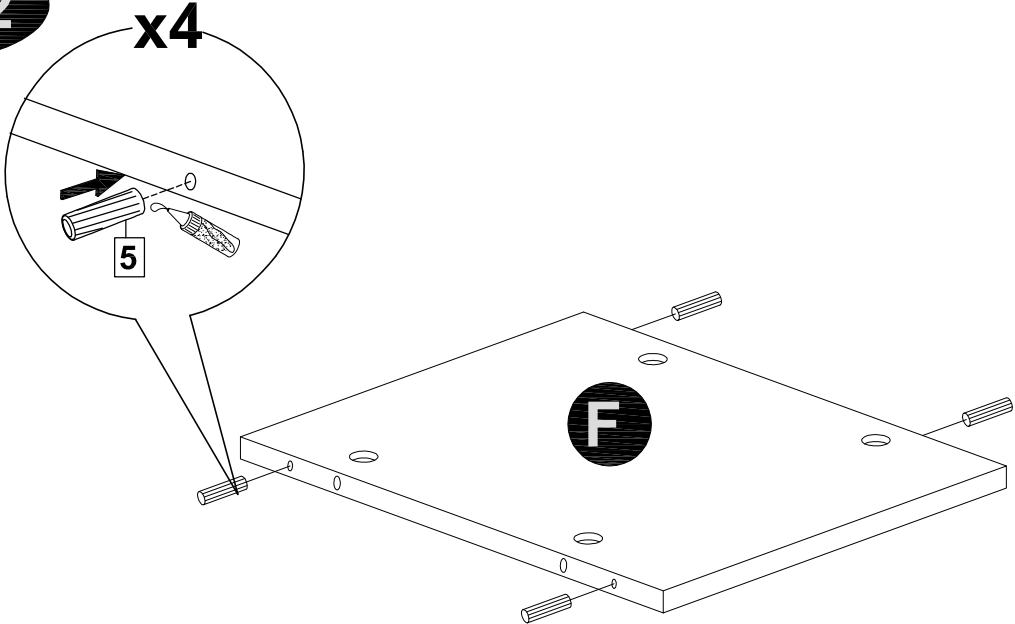
MODEL NAME:

CA 6680-02

**STEP 1**



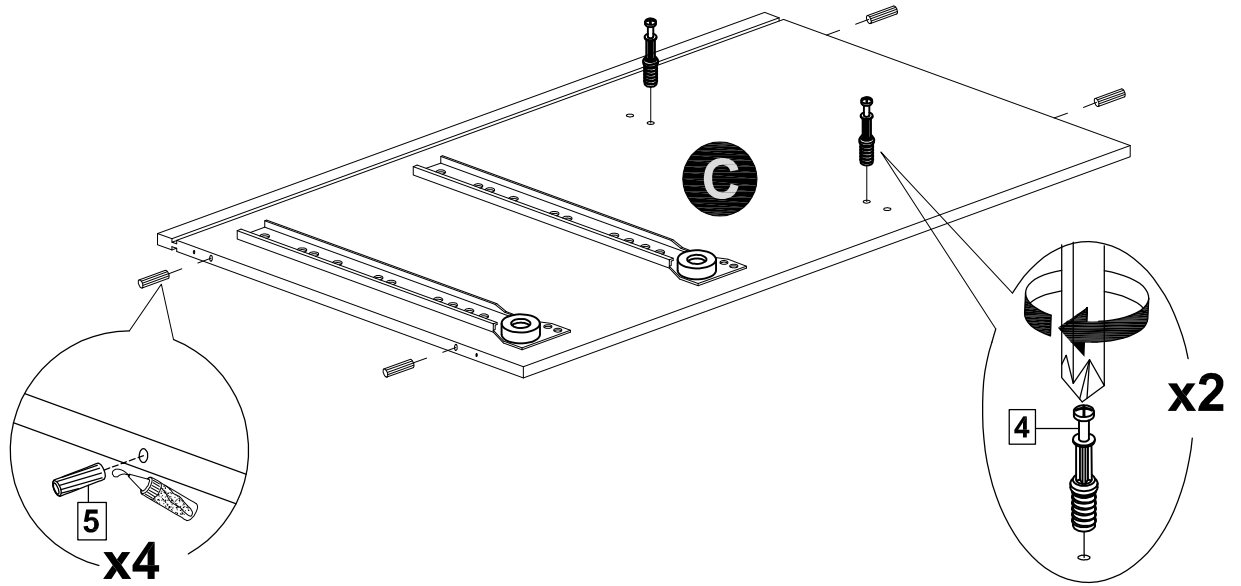
**STEP 2**



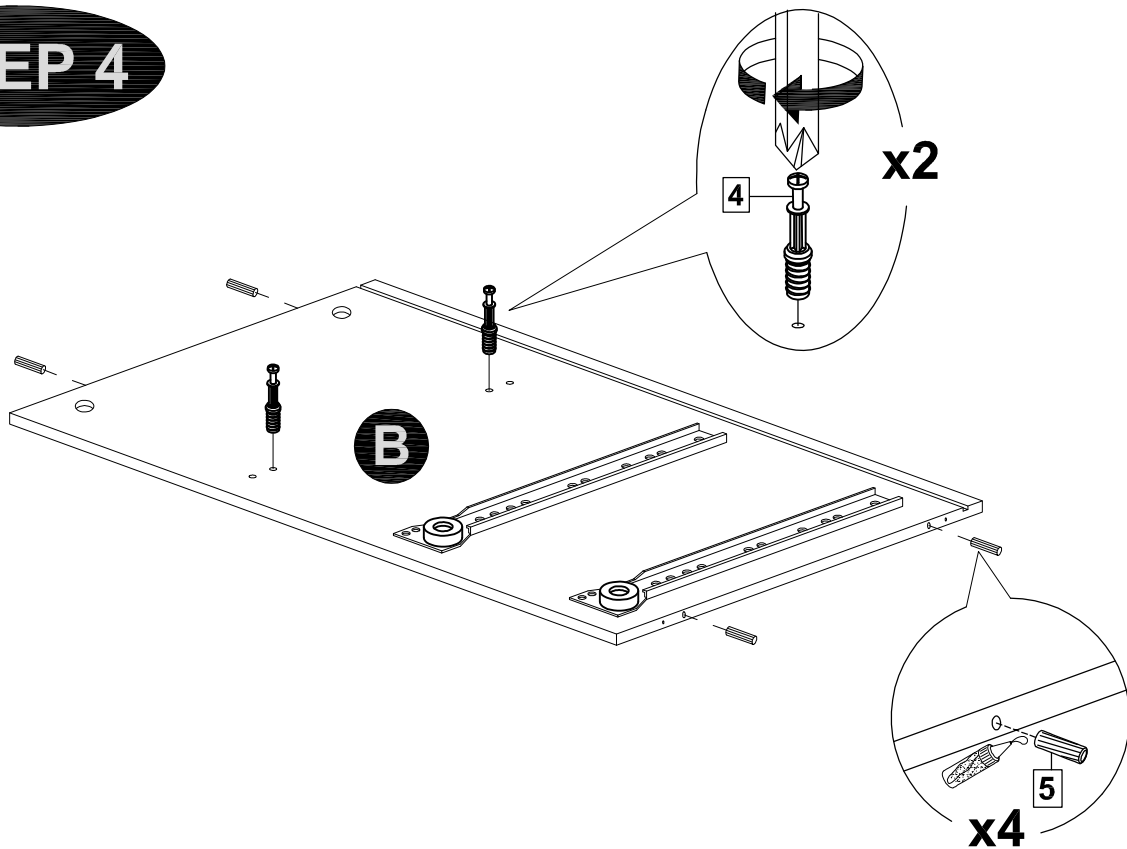
MODEL NAME:

CA 6680-02

**STEP 3**



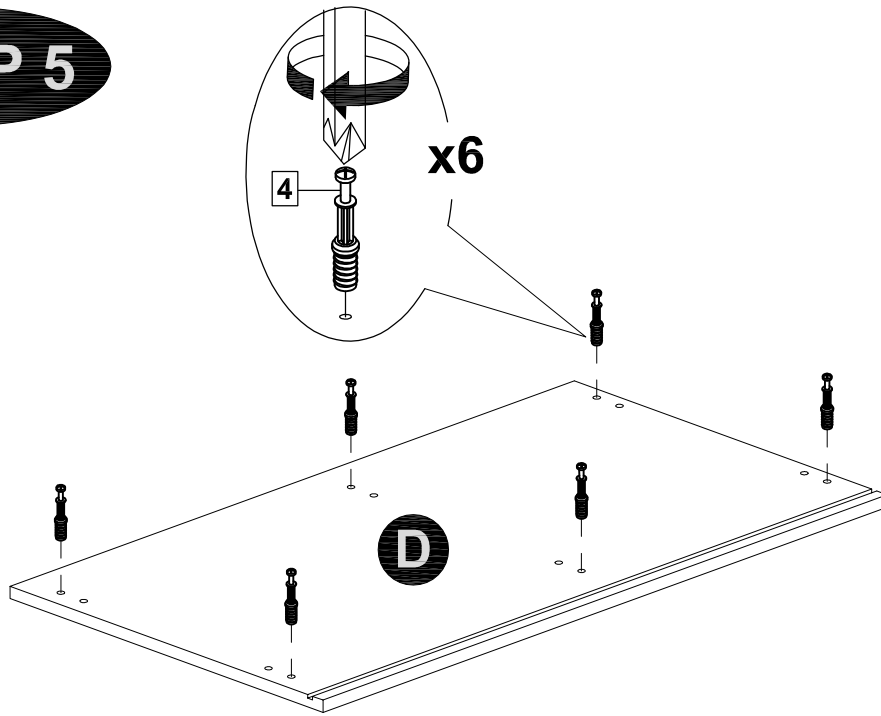
**STEP 4**



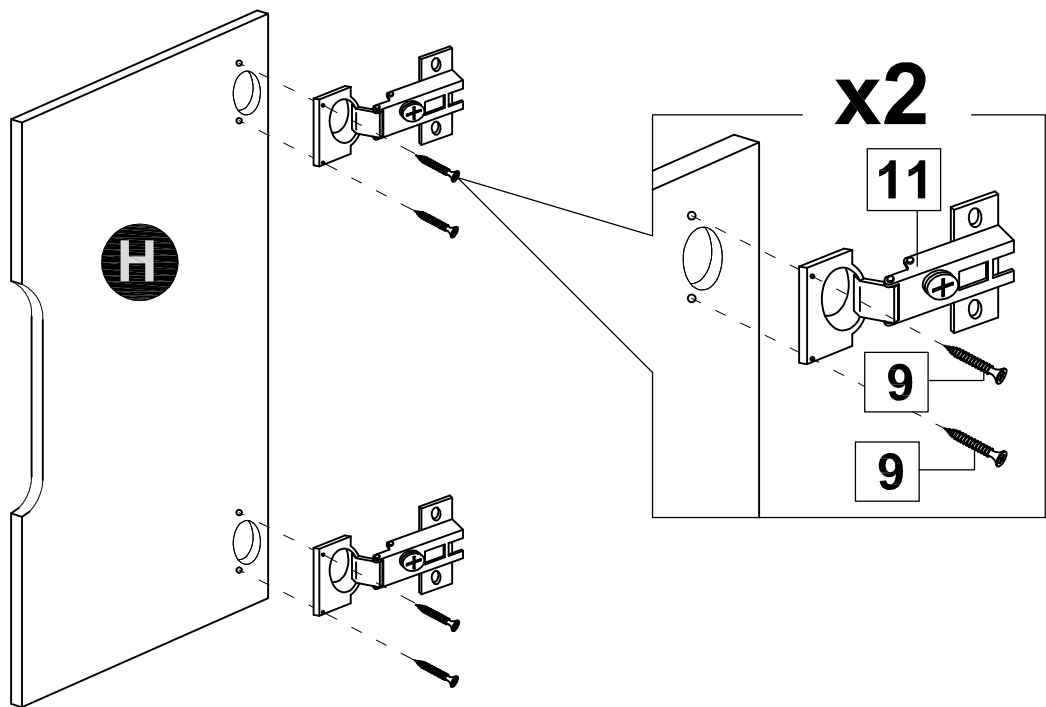
MODEL NAME:

CA 6680-02

**STEP 5**



**STEP 6**



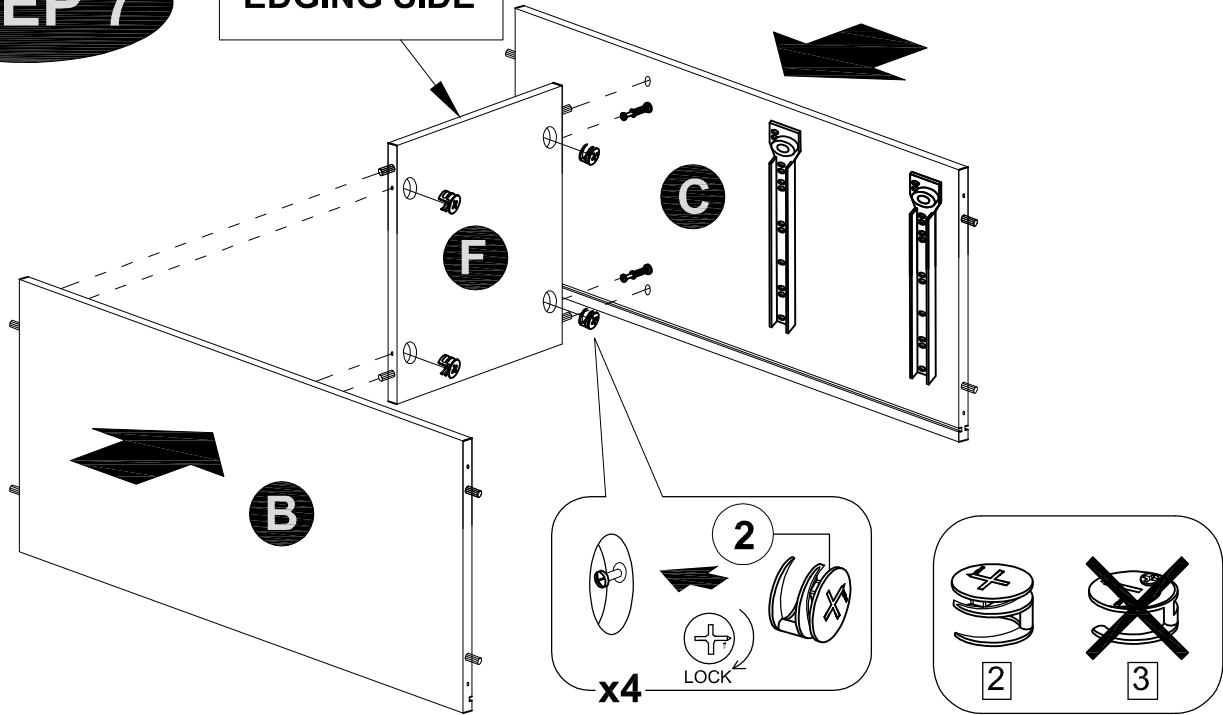


MODEL NAME:

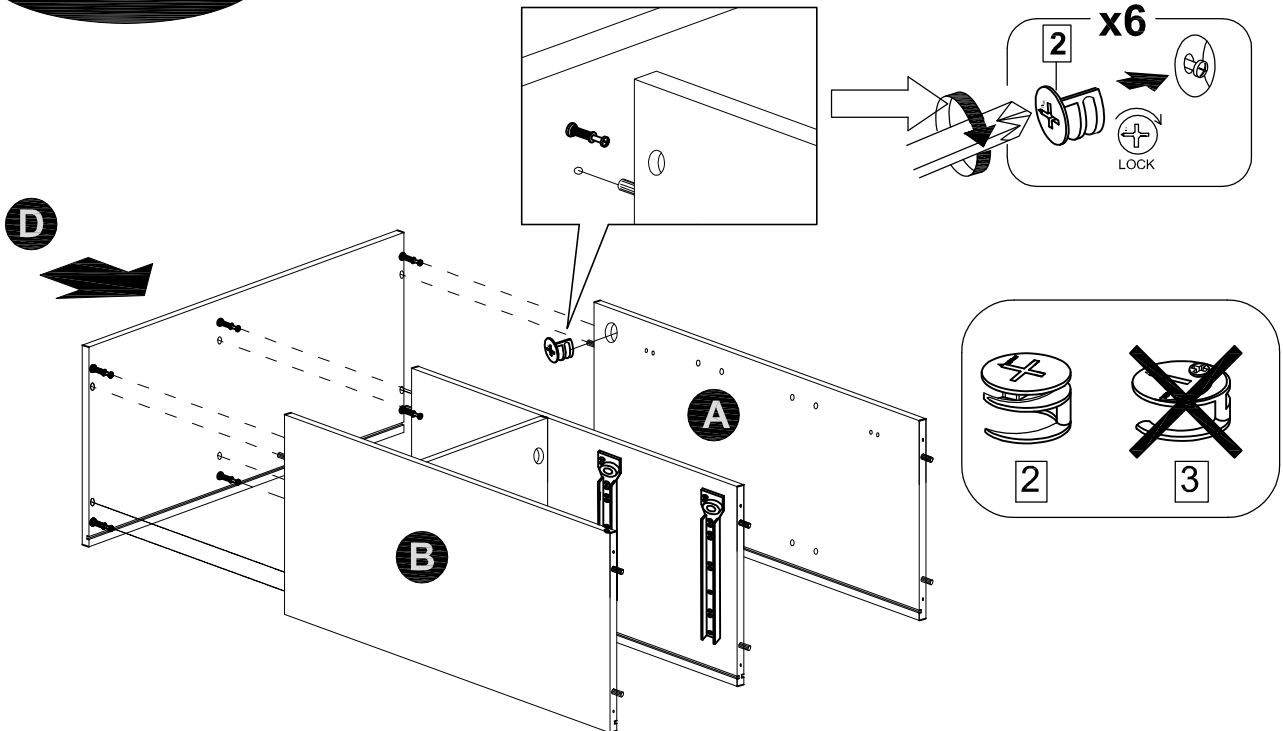
CA 6680-02

**STEP 7**

EDGING SIDE



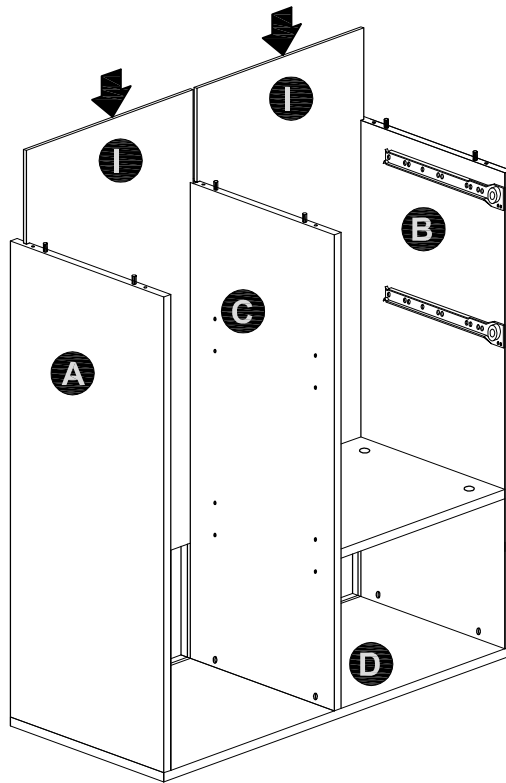
**STEP 8**



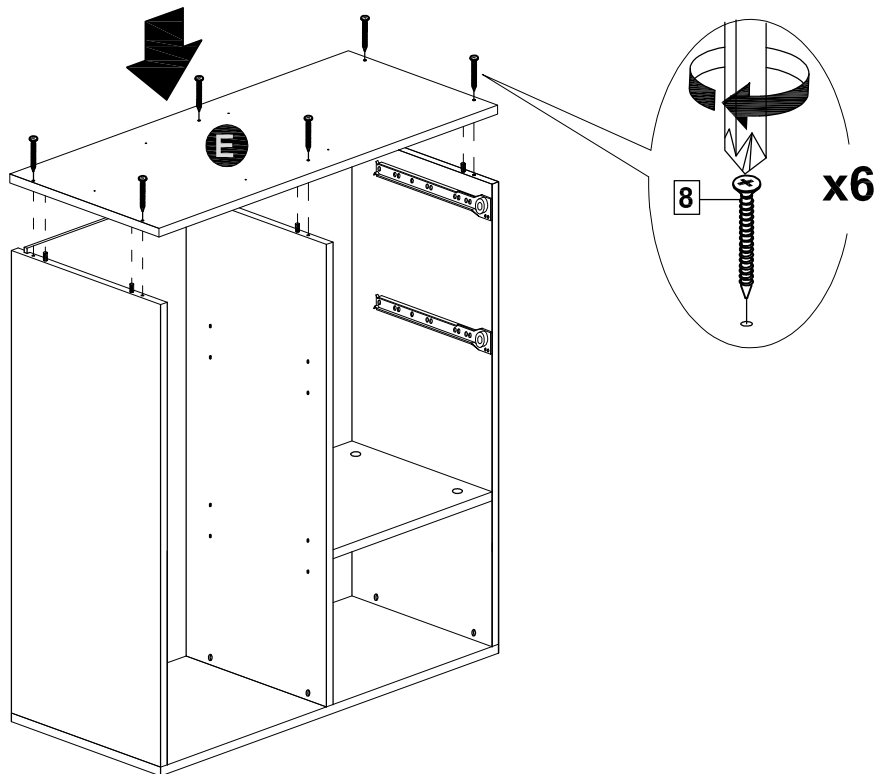
MODEL NAME:

CA 6680-02

**STEP 9**



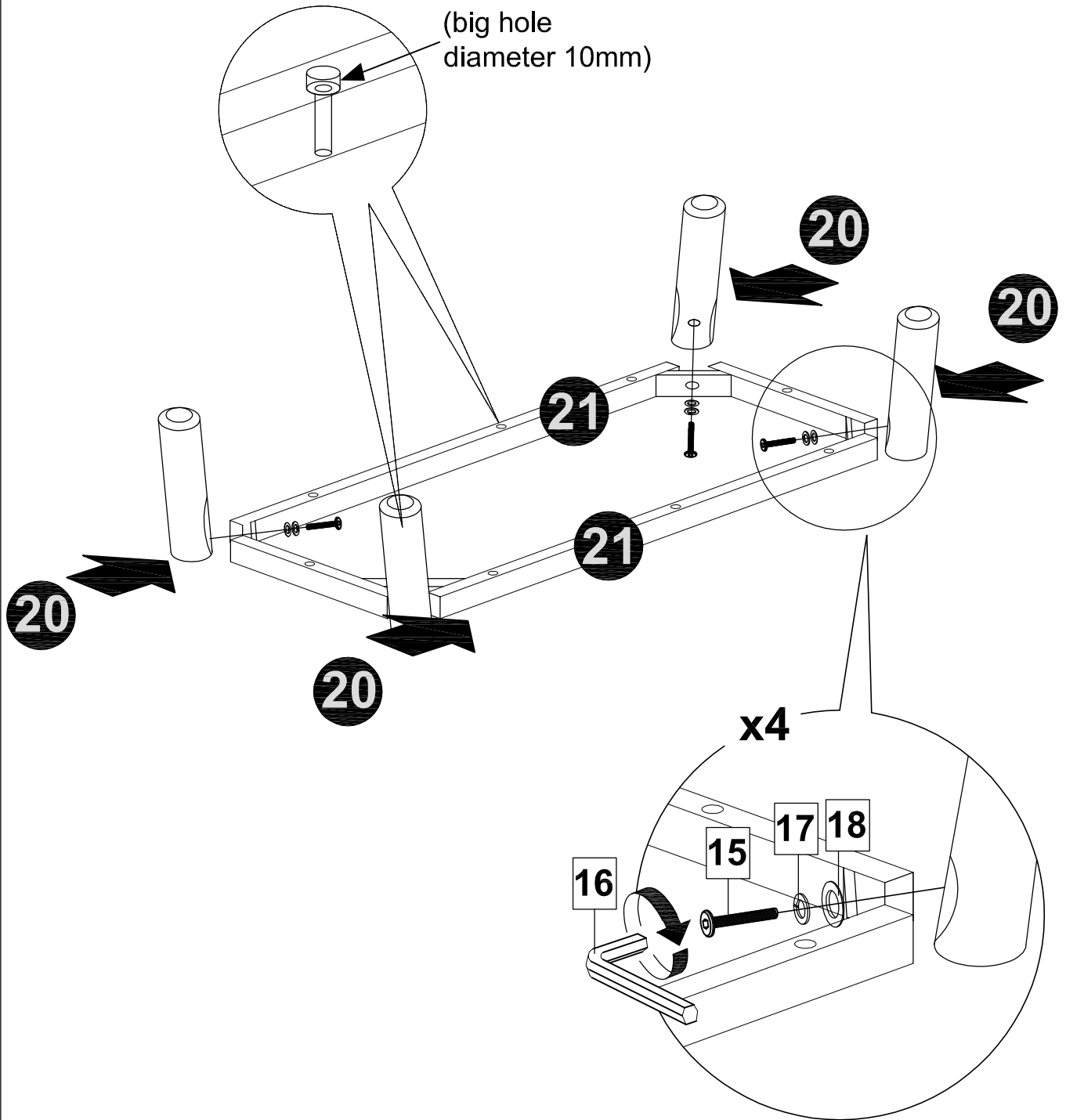
**STEP 10**



MODEL NAME:

CA 6680-02

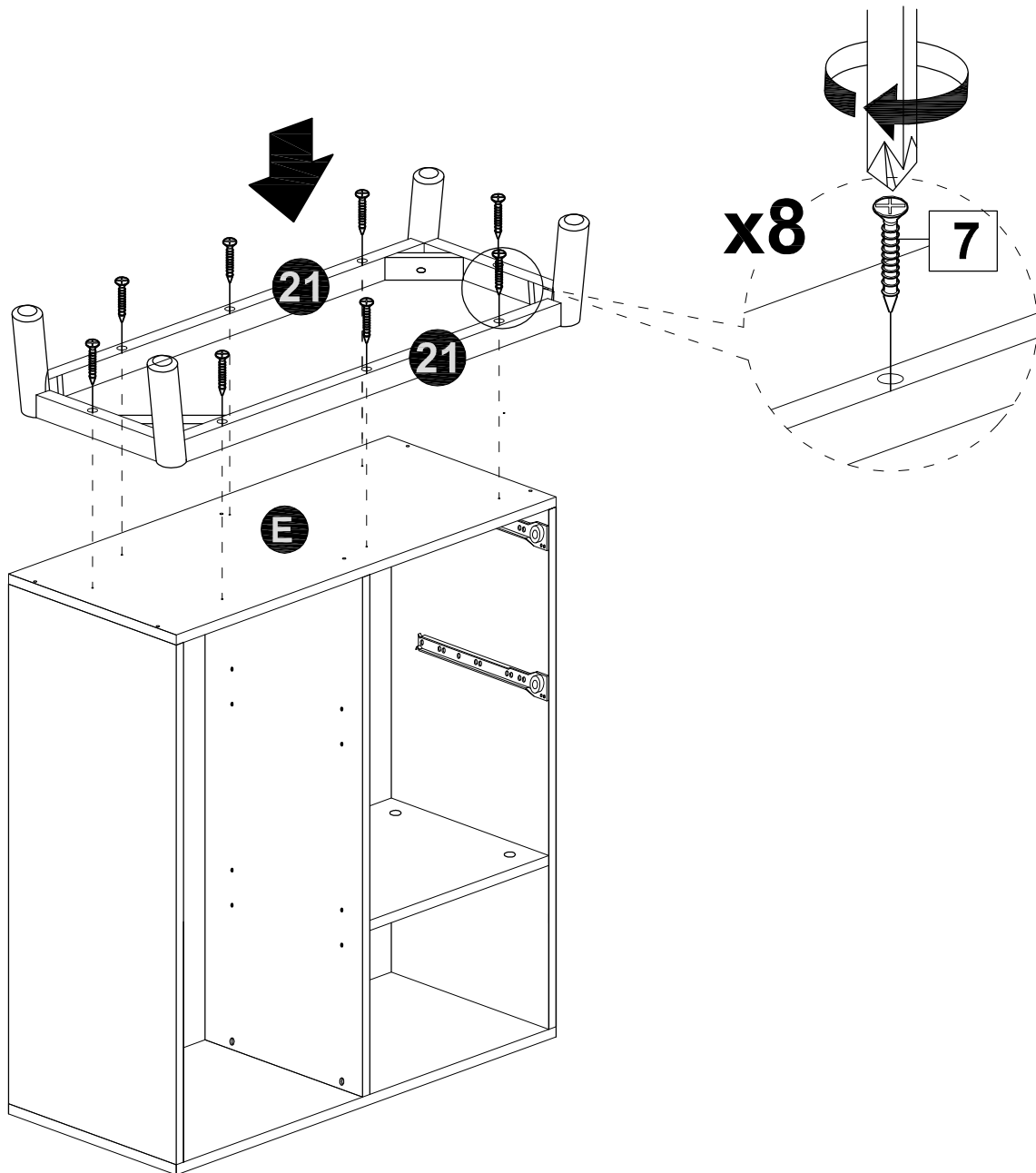
**STEP 11**



MODEL NAME:

CA 6680-02

**STEP 12**

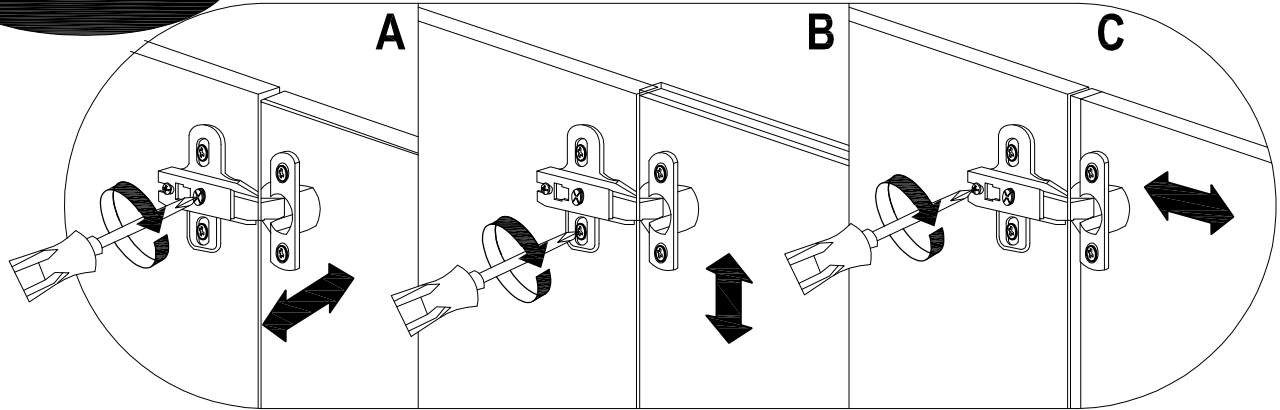


**MODEL NAME:**

**CA 6680-02**

**STEP 13**

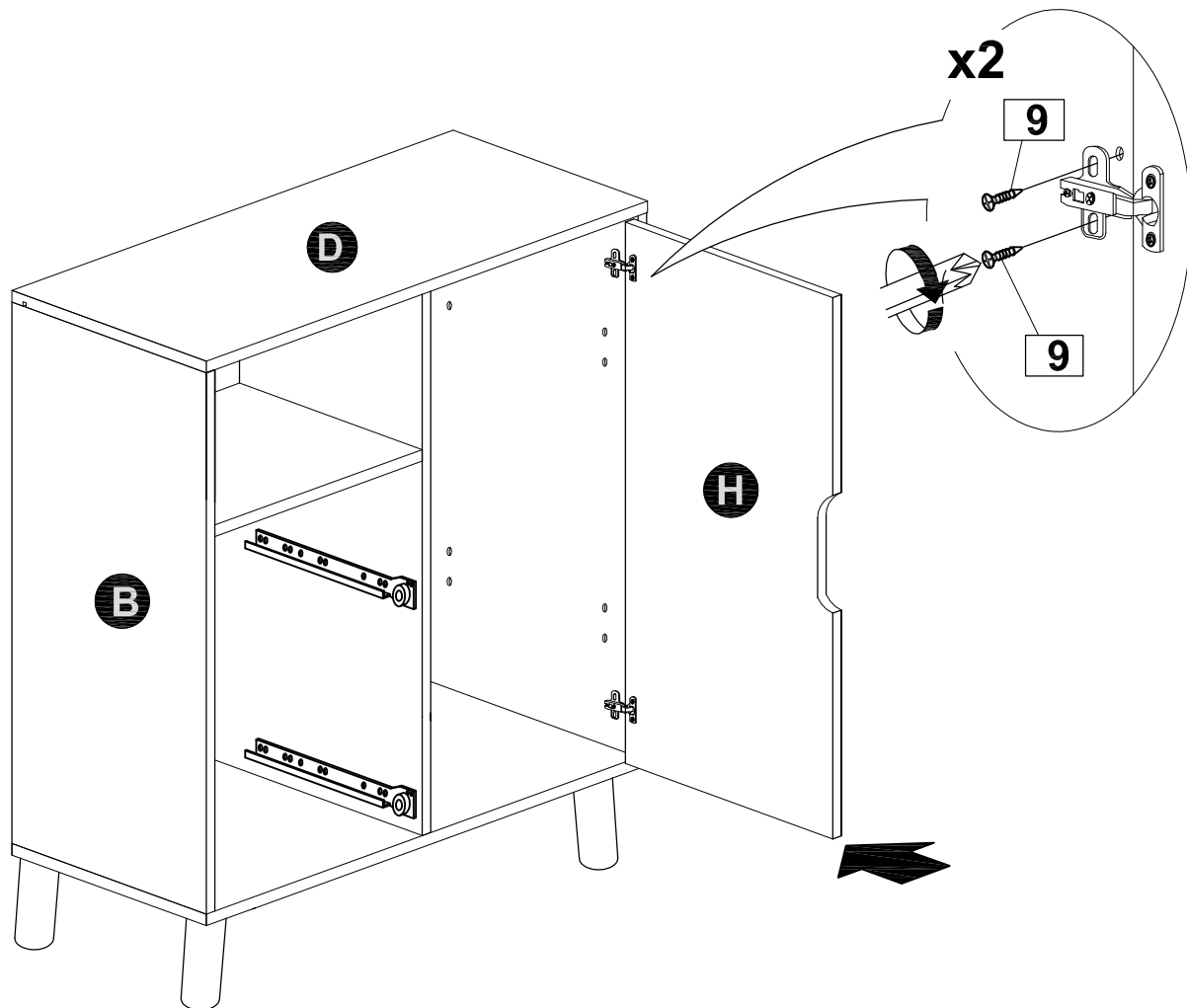
**Hinges Adjustment Facilities**



**A. Lateral adjustment by screw adjusting**

**B. Vertical adjustment via slot in the mounting plate**

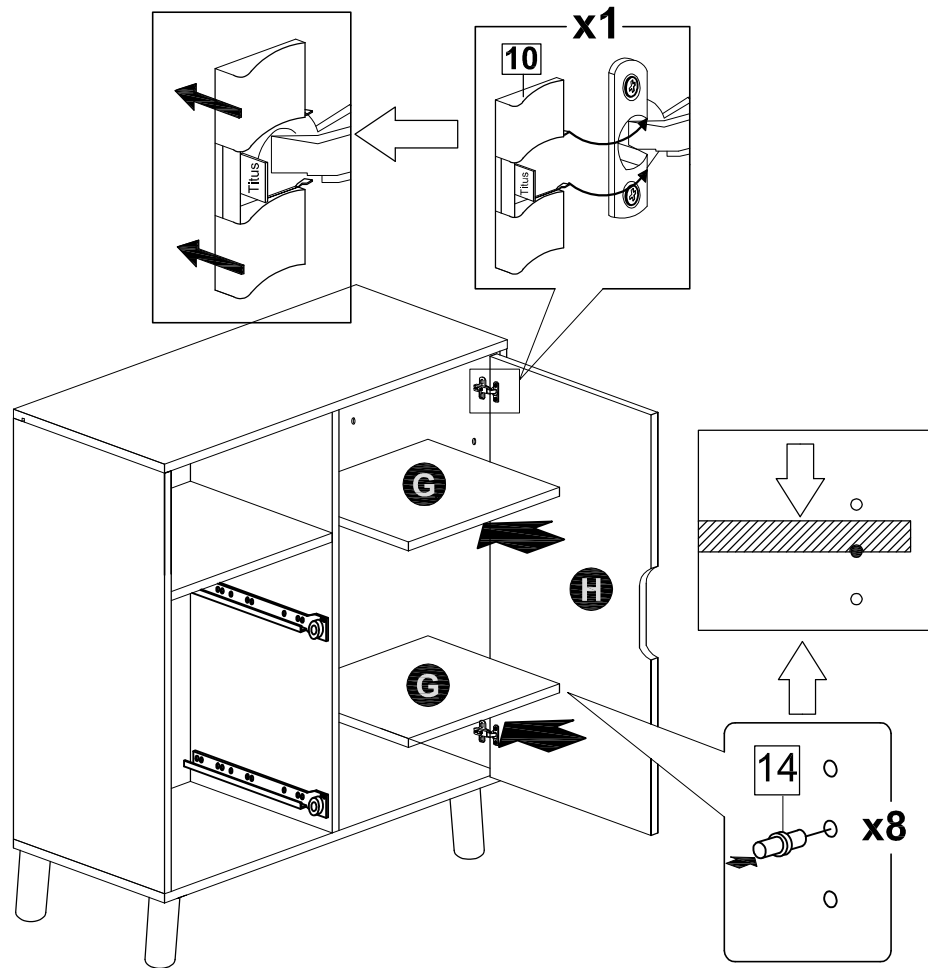
**C. Front-to-Back by the slacking the hinge arm mounting screw**



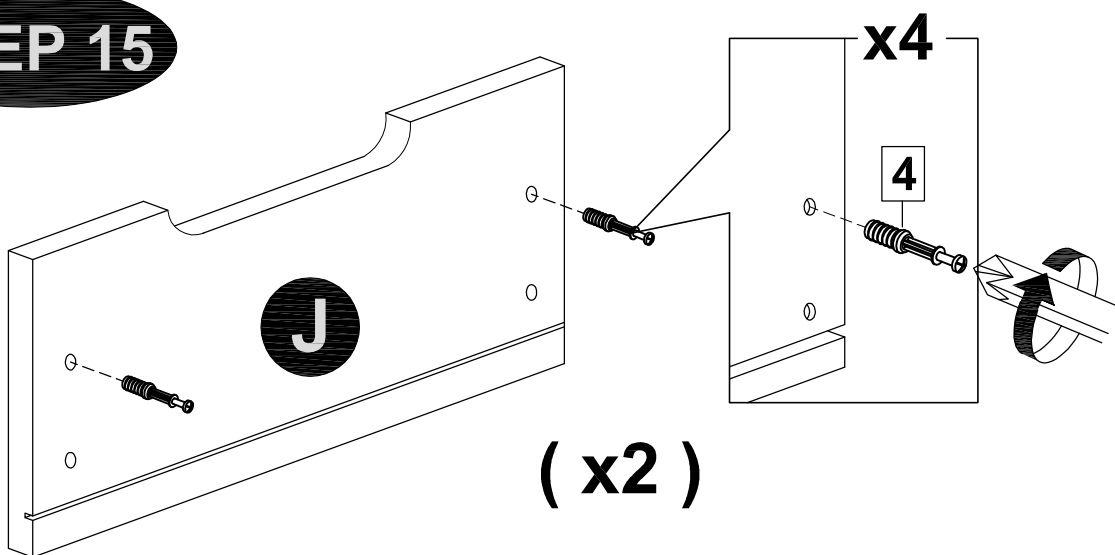
MODEL NAME:

CA 6680-02

**STEP 14**



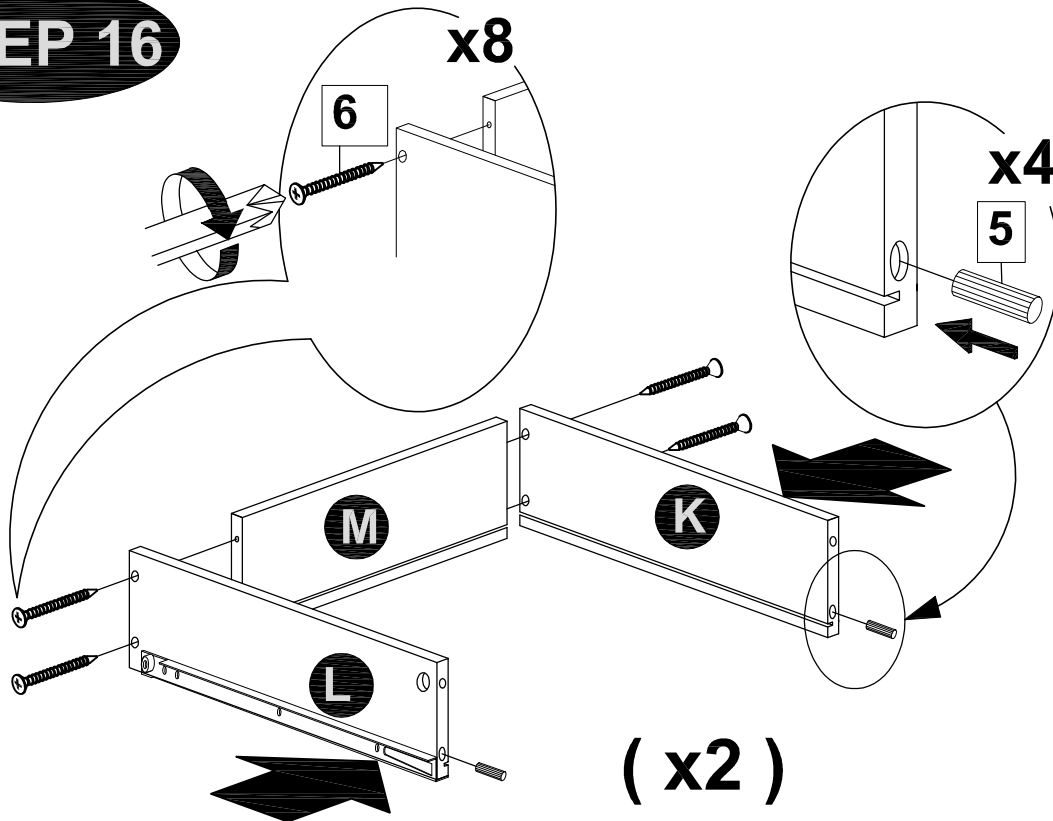
**STEP 15**



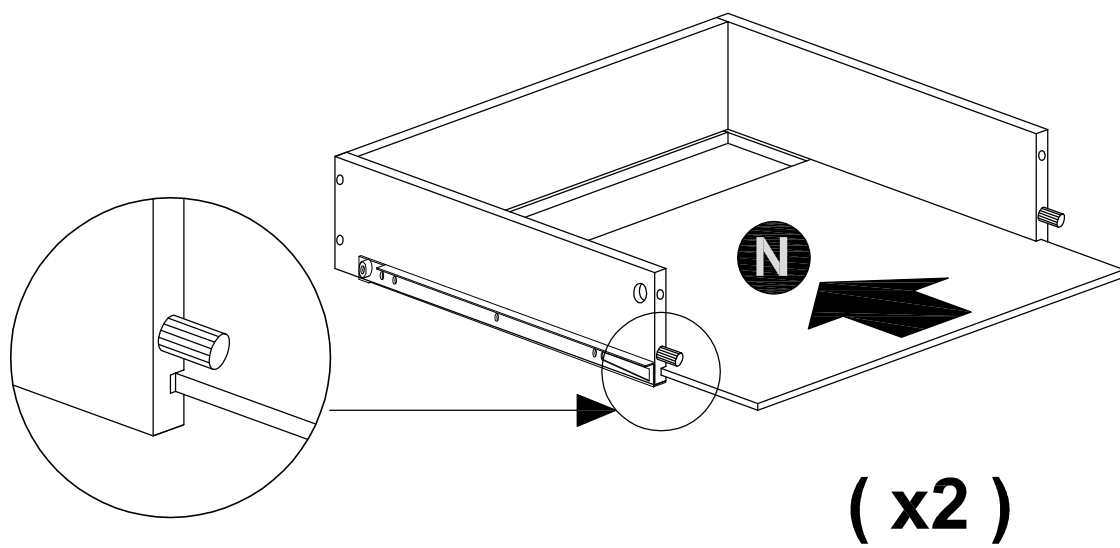
MODEL NAME:

CA 6680-02

**STEP 16**



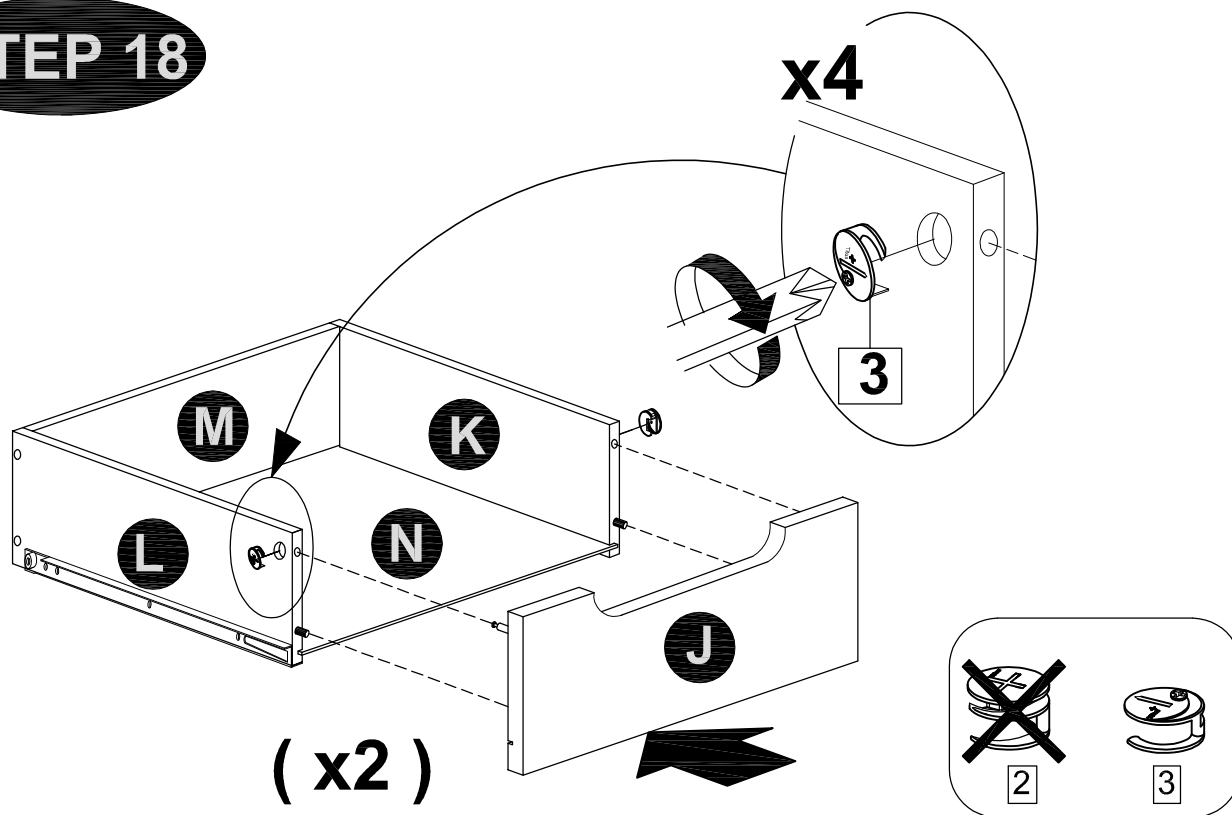
**STEP 17**



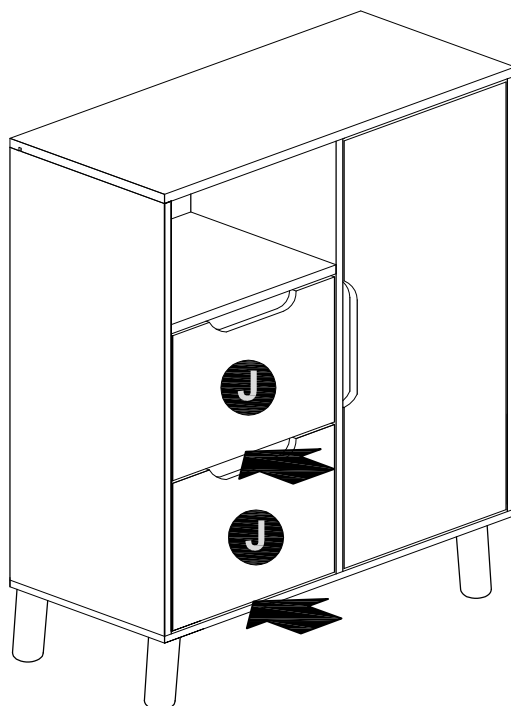
MODEL NAME:

CA 6680-02

**STEP 18**



**STEP 19**

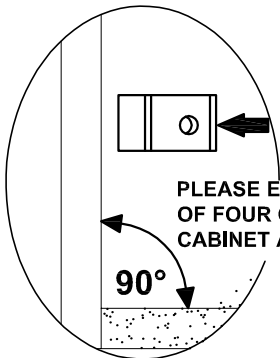
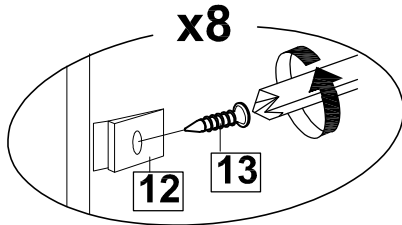




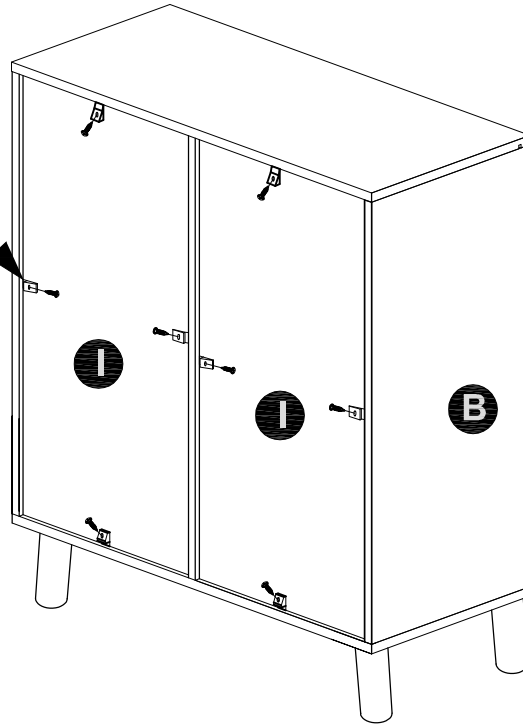
MODEL NAME:

CA 6680-02

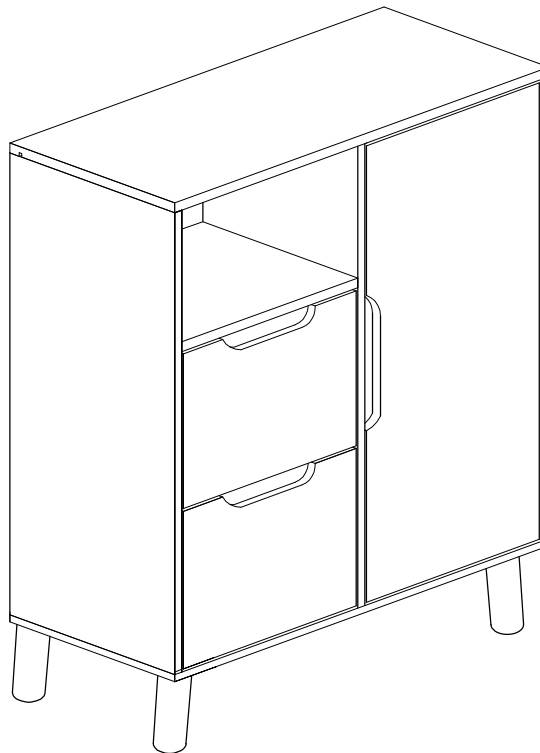
**STEP 20**



PLEASE ENSURE THAT EACH  
OF FOUR CORNERS OF  
CABINET ARE SQUARE



**STEP 21**



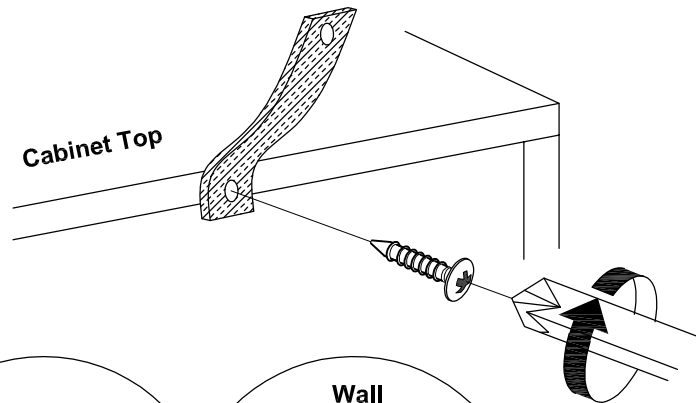
## SAFETY WARNING :

It is recommended that you fit the anti-tip bracket to this item to avoid tipping and causing injury.

## FITTING OF ANTI-TIP BRACKET

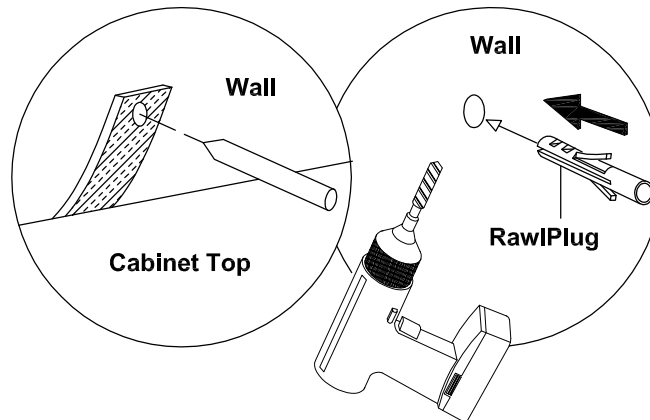
### STEP 1 :

Insert screws through bracket into pre-drilled holes in cabinet.



### STEP 2 :

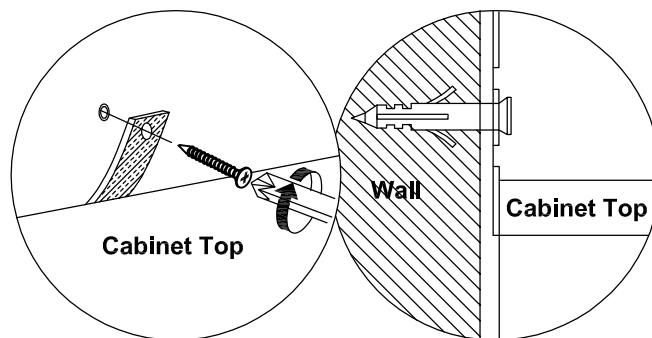
Make a mark on the wall through the bracket.



Drill a hole in the wall and insert the rawlplug.

### STEP 3 :

Insert screw through bracket into hole in wall



**NOTE :** Wall fixings are not supplied with this product as different wall materials require different types of fixing devices (such as Rawl plugs on brick work). You must use fixing devices suitable for the type of wall you intend to mount this product to. Please ensure that the head of any screw used has a diameter greater than the diameter of the mounting hole on the bracket and that the fixing is safe and secure before use.

The screw supplied is to fix the anti-tip strap to the cabinet.

### HARDWARE LIST



Anti-Tip Strap - 2pcs



M4 x 16MM - 2pcs