

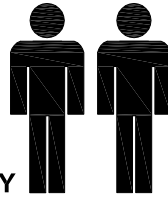
**MODEL NAME:**

**CA 6379-00**

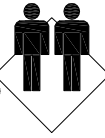
**60min**

**APPROXIMATE ASSEMBLY TIME**

**2 PEOPLE FOR ASSEMBLY**

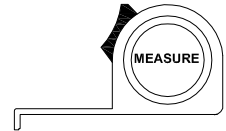
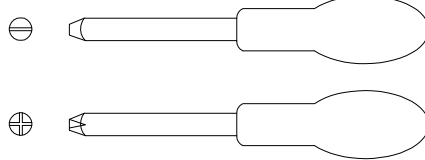
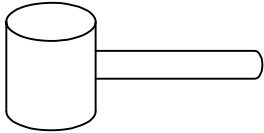


**FLOOR AREA**  
2.2M X 1.0M  
(FLAT BUILD)



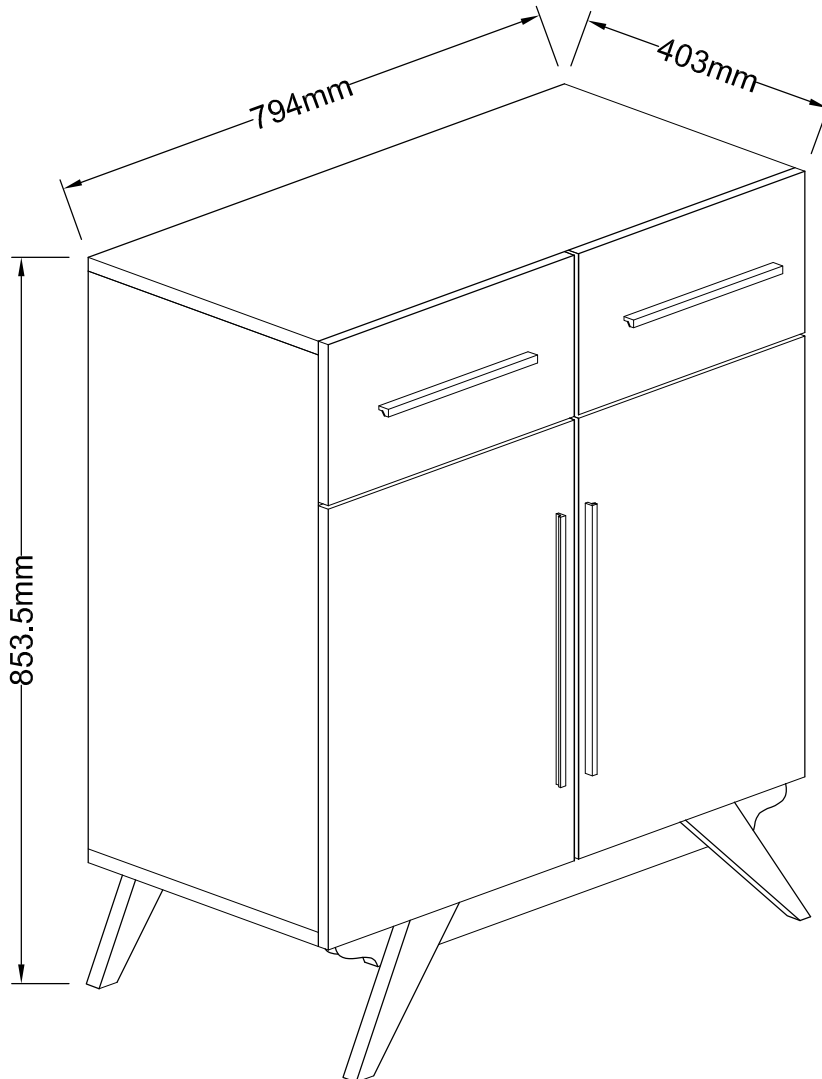
**CEILING HEIGHT**  
2.2M

**REQUIRED ASSEMBLY SPACE**



**REQUIRED ASSEMBLY TOOLS**

**ASSEMBLED DIMENSIONS**



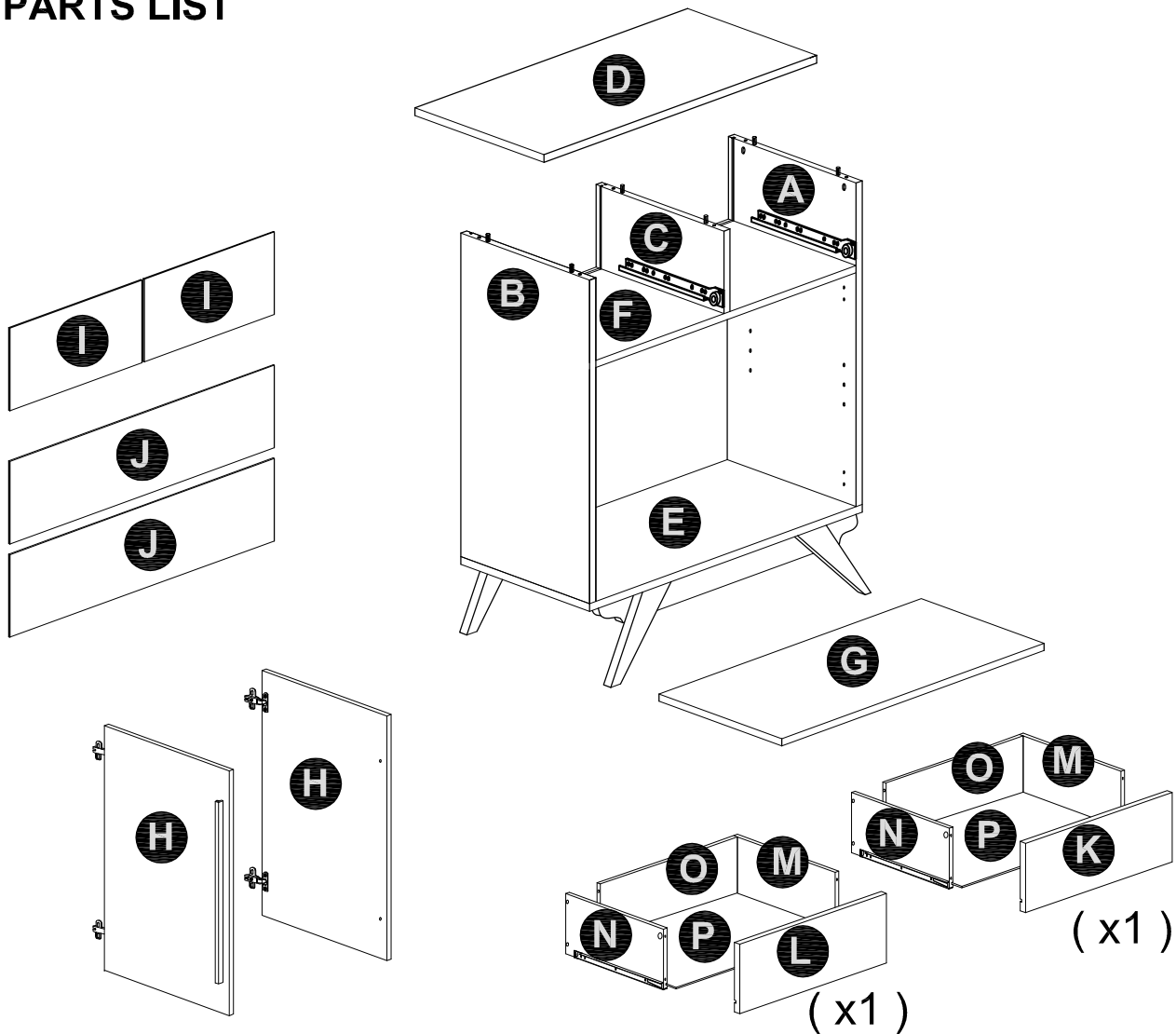
**NOTE : THE MAXIMUM WEIGHT THIS PRODUCT CAN HOLD UP TO IS 25 KGS.**

**MODEL NAME:**

**CA 6379-00**

NO.	PART LIST	QTY	NO.	PART LIST	QTY
(A)	RIGHT SIDE PANEL	1	(K)	DRAWER FRONT(RIGHT)	1
(B)	LEFT SIDE PANEL	1	(L)	DRAWER FRONT(LEFT)	1
(C)	CENTRE PANEL	1	(M)	DRAWER SIDE (RIGHT)	2
(D)	TOP PANEL	1	(N)	DRAWER SIDE (LEFT)	2
(E)	BOTTOM PANEL	1	(O)	DRAWER BACK PANEL	2
(F)	FIXED SHELF	1	(P)	DRAWER BASE	2
(G)	ADJUSTABLE PANEL	1			
(H)	DOOR PANEL	2			
(I)	BACK PANEL -TOP	2			
(J)	BACK PANEL -BOTTOM	2			

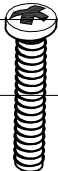




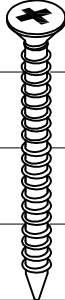

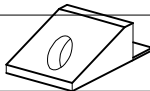
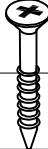

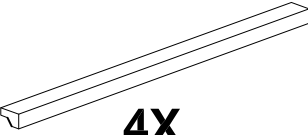

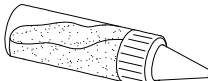


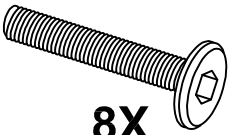


**PARTS LIST**



MODEL NAME:

CA 6379-00

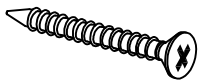
HARDWARE LIST

				
8X M4 x 19mm	8X M3.5 x 25mm	10X Dia.15mm	14X M6.5	18X Dia.6 x 30mm
1 PAN HEAD BOLT	2 FLAT HEAD SCREW	3 CAM-LOCK	4 CAM BOLT	5 WOOD DOWEL
				
6X M8 x 38mm	4X Dia.15mm	16X	16X M3 x 20mm	1X M4
6 FLAT HEAD SCREW	7 DRAWER CAM-LOCK	8 BACKPLY STOPPER	9 FLAT HEAD SCREW	10 ALLEN KEY
				
4X	16X M8 x 5/8mm	1X	8X	
11 HANDLE	12 FLAT HEAD SCREW	13 GLUE 10CC	14 WOOD DOWEL	
				
14X M8 x 50mm	8X M5 x 40mm	8X Ø12 x 1mm	8X Ø12 x 0.5mm	
15 FLAT HEAD SCREW	16 ALLEN HEAD BOLT	17 SPRING WASHER	18 FLAT WASHER	

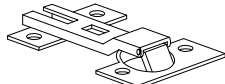
MODEL NAME:

CA 6379-00

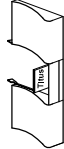
## HARDWARE LIST



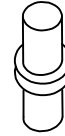
**12X**  
M8 x 32mm  
**19**  
FLAT HEAD  
SCREW



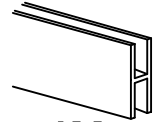
**4X**  
**20**  
ADJUSTABLE  
HINGE



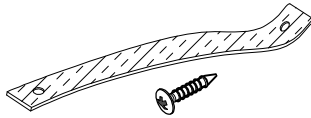
**2X**  
**21**  
DOOR  
SOFT CLOSED



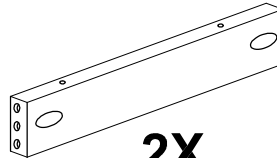
**4X**  
Dia.5 x 16mm  
**22**  
SHELF  
STUB



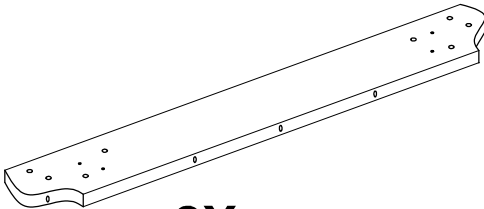
**1X**  
**23**  
PVC H



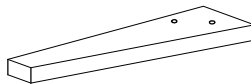
**1X**  
**24**  
ANTI TIP STRAP



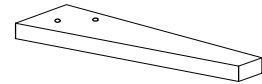
**2X**  
**25**  
SIDE PROFILE  
283 x 45 x 20 mm



**2X**  
**26**  
FRONT PROFILE  
764 x 70 x 20 mm



**2X**  
**27**  
RIGHT LEG PROFILE  
300 x 70 x 28 mm



**2X**  
**28**  
LEFT LEG PROFILE  
300 x 70 x 28 mm

**MODEL NAME:**

**CA 6379-00**

### **Top Tips before you start!**

1. Please check that all parts are present before you start the assembly of your furniture.
2. For ease and speed of assembly, we recommend that before you commence each step of the assembly, that you identify all the parts required for that step.
3. For larger items, please ensure that you have sufficient space and people ( as indicated on page 1 ) to assemble your product safely
4. We recommend that, where possible, all items are assembled near to the area in which they will be placed in use, to avoid moving the product unnecessarily once assembled.
5. For the protection of your furniture, particularly items of high gloss finish, we recommend that the product is placed on a protected surface during assembly to prevent any damage.
6. During assembly please take care not to over-tighten any fittings, as this may damage the product.
7. Always place the product on a flat, steady and stable surface.
8. Do not sit or stand on the product.  
Do not use the product as a stepladder.
9. This product is intended for indoor, household use only as it is non industrial product.
10. This product is constructed from re-inforced hollow board. Excessive pressure cause irreparable damage. Please do not kneel on any part of this product during assembly.

### **Care and Maintenance of your Furniture**

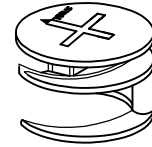
- Please periodically check all fittings and re-tighten as necessary.
- To clean your item, please use a damp cloth and wipe clean.
- Never allow any kind of liquid to remain on your furniture.
- Please do not place hot items (e.g. hot drinks ) directly on to the wood surface.
- Please do not drag and pull your furniture.

MODEL NAME:

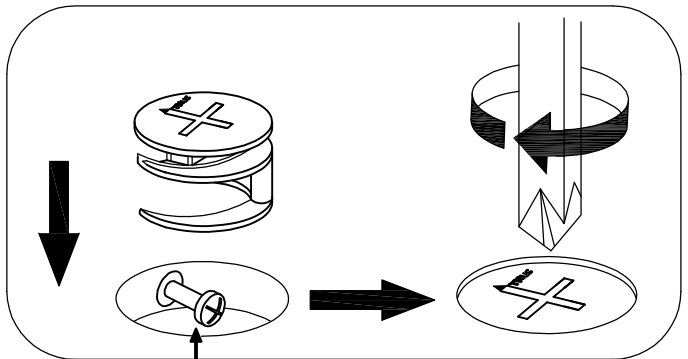
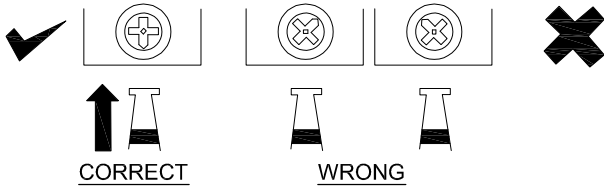
CA 6379-00

# SPECIAL TIPS FOR FITTING CAM-LOCKS AND CAM BOLT

CAM-LOCK

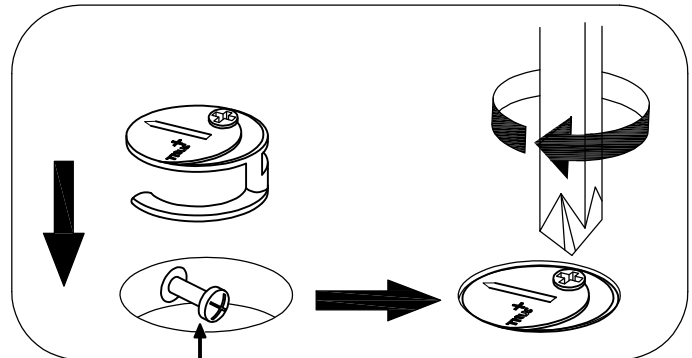


WHEN FITTING CAM-LOCK  
ENSURE STARTING POSITION IS CORRECT  
BEFORE YOU INSERT CONNECTING CAM BOLT  
TURN CLOCKWISE UNTIL SECURE



Cam bolt head needs to be in centre

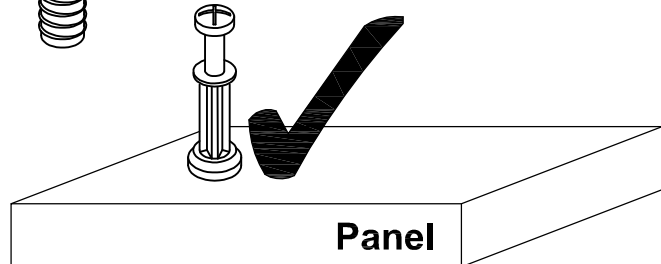
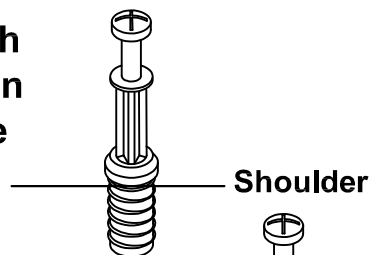
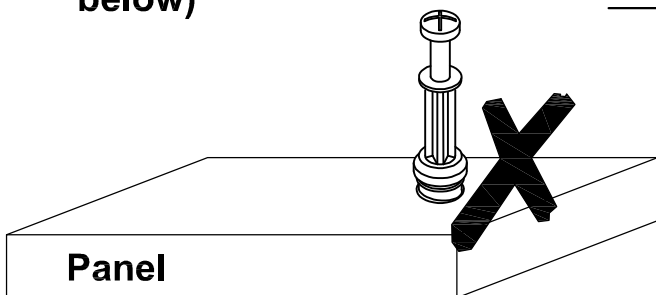
DRAWER  
CAM-LOCK



Cam bolt head needs to be in centre

CAM BOLT

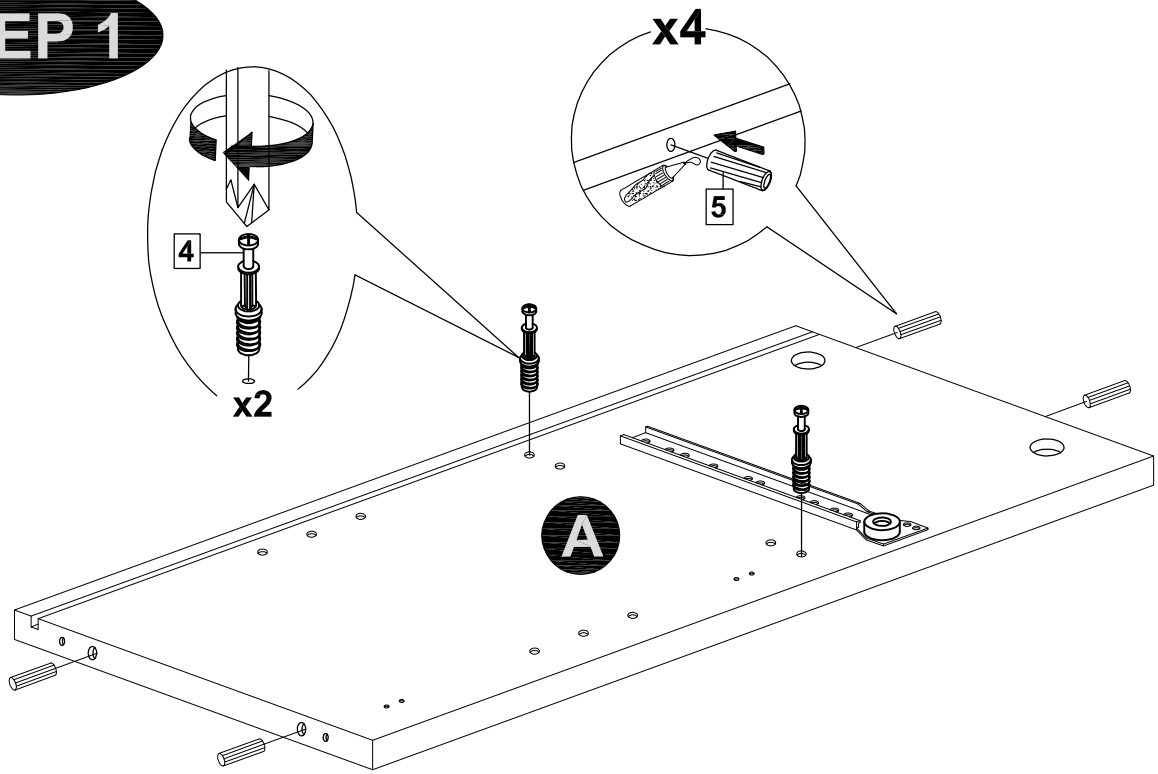
Tighten until shoulder is flush with panel. Do not overtighten or undertighten (see example below)



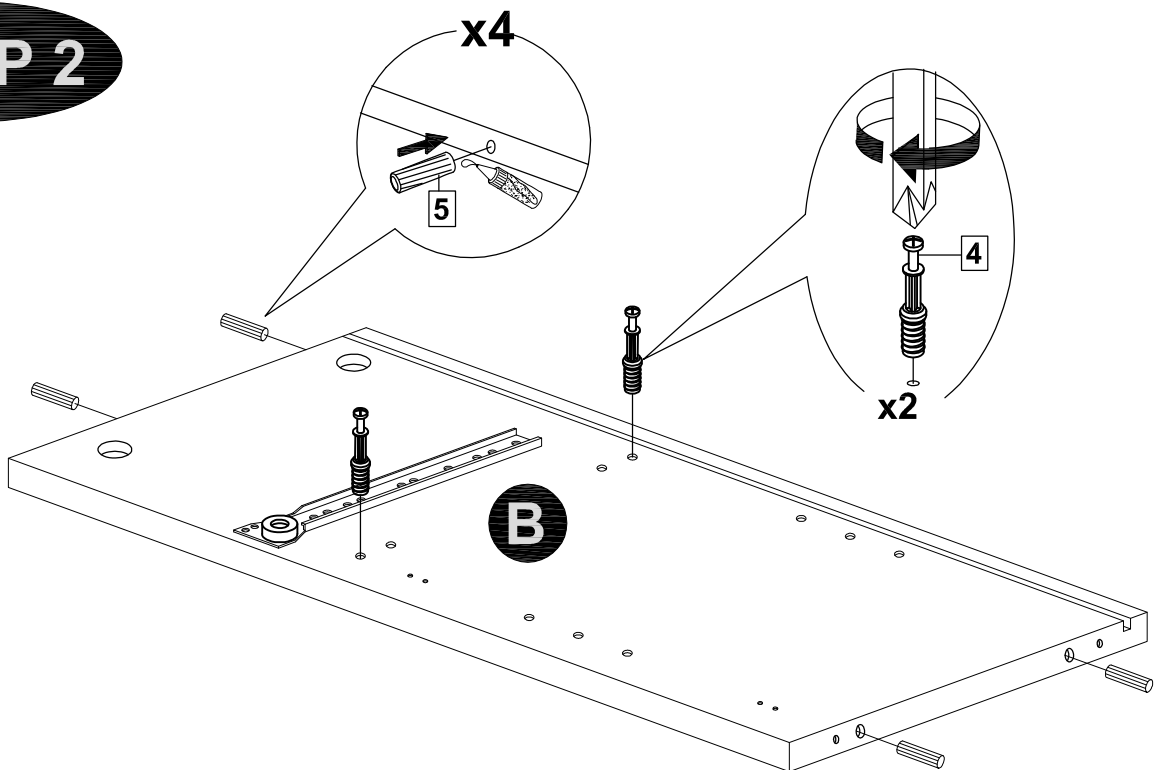
MODEL NAME:

CA 6379-00

**STEP 1**



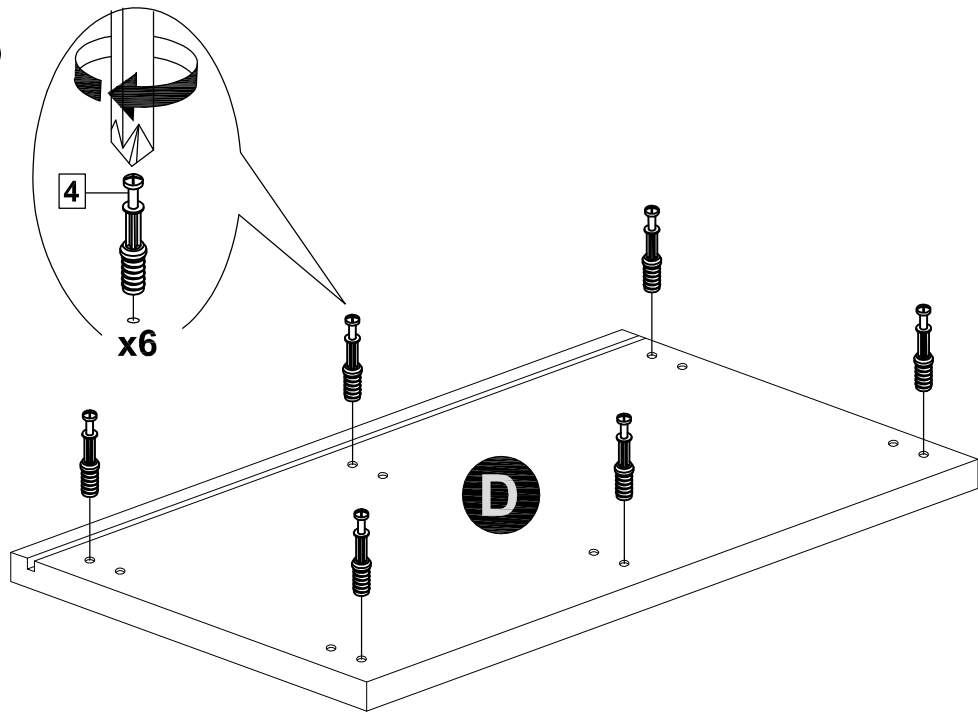
**STEP 2**



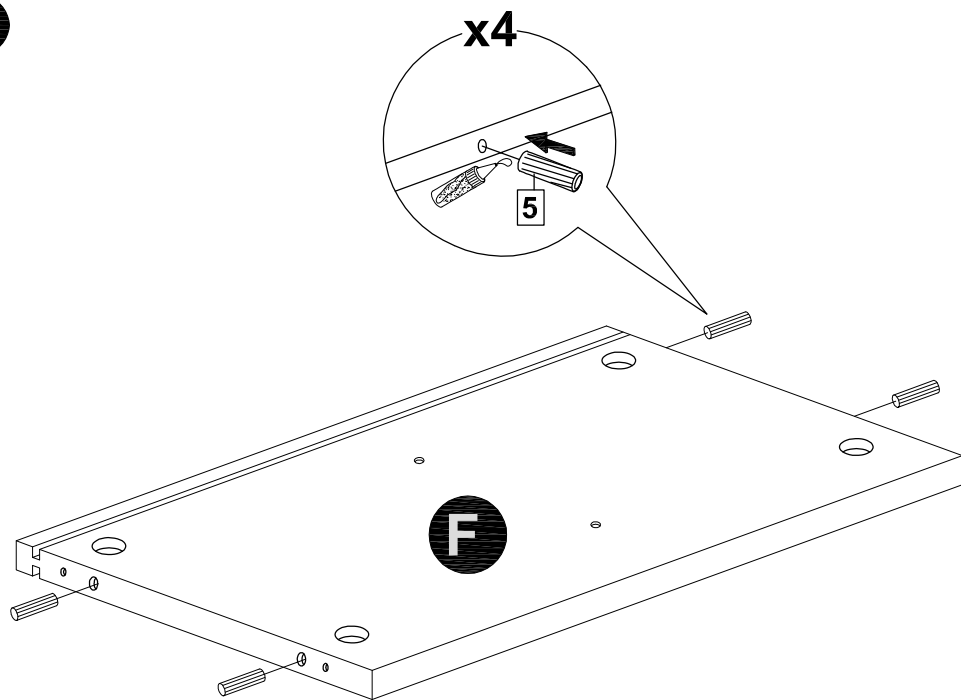
MODEL NAME:

CA 6379-00

**STEP 3**



**STEP 4**

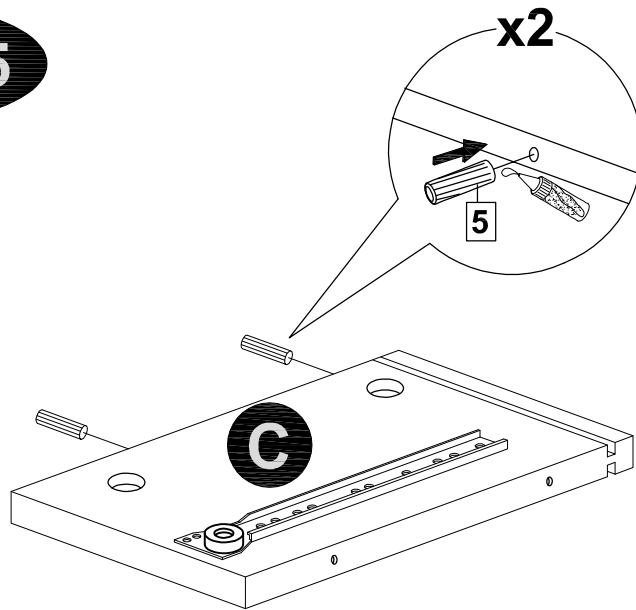




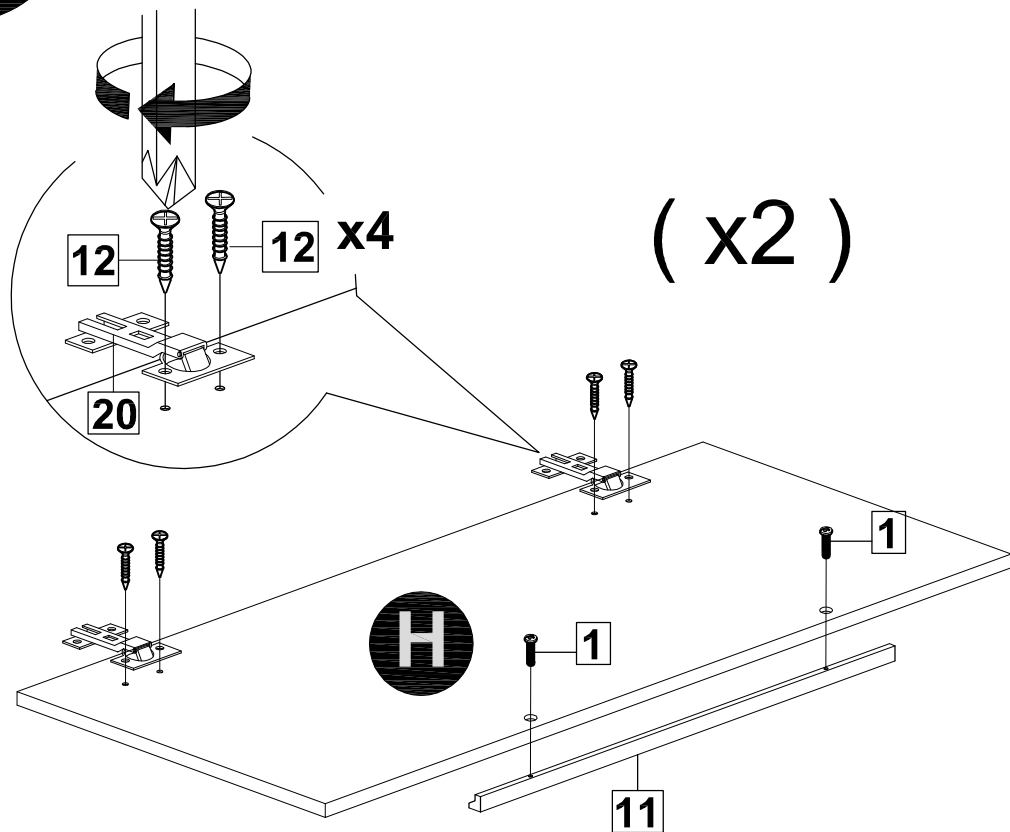
MODEL NAME:

CA 6379-00

**STEP 5**



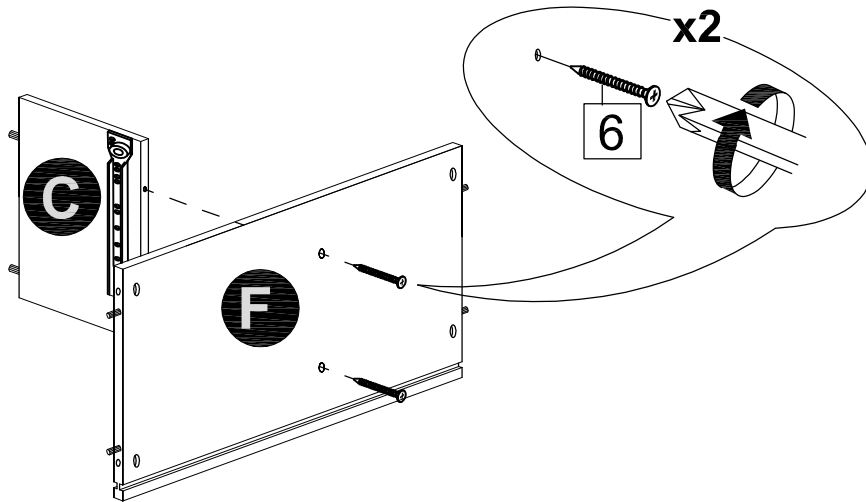
**STEP 6**



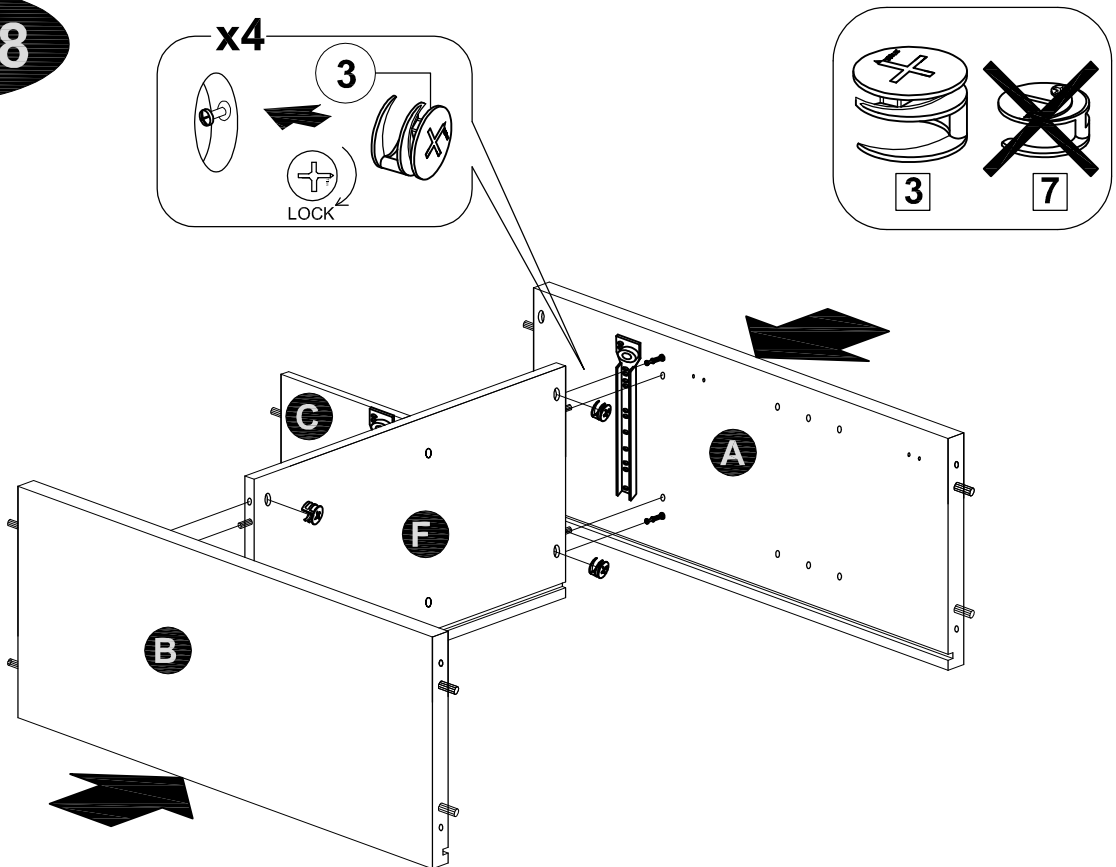
MODEL NAME:

CA 6379-00

**STEP 7**



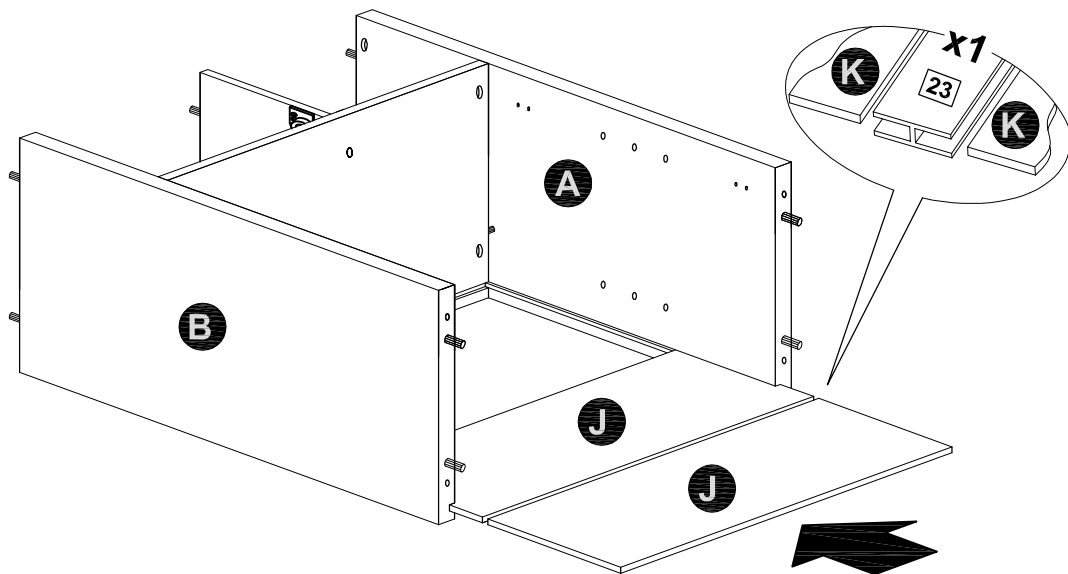
**STEP 8**



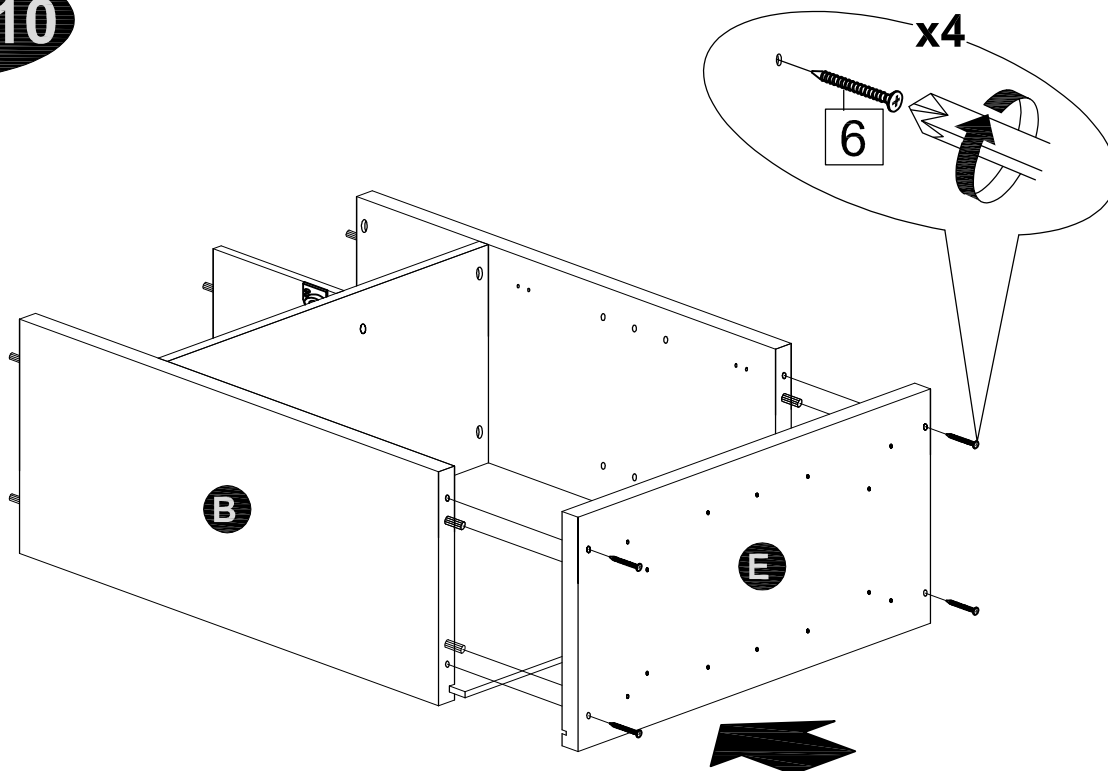
MODEL NAME:

CA 6379-00

**STEP 9**



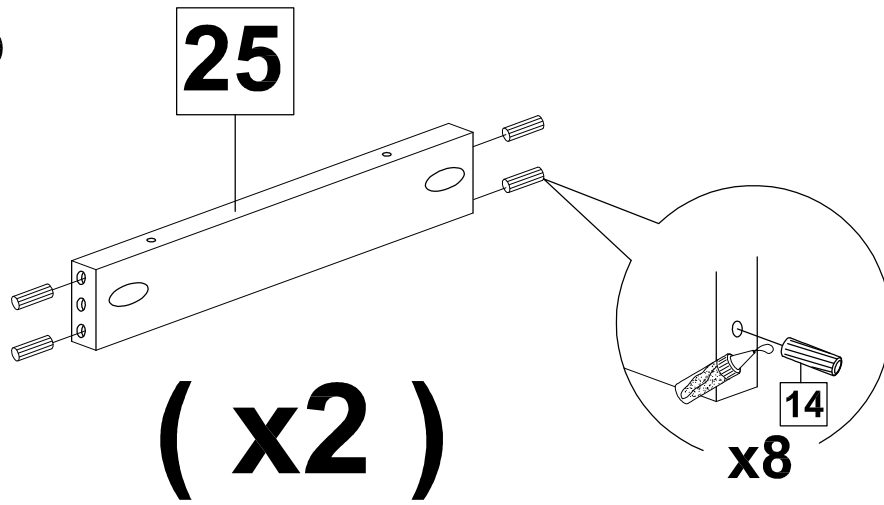
**STEP 10**



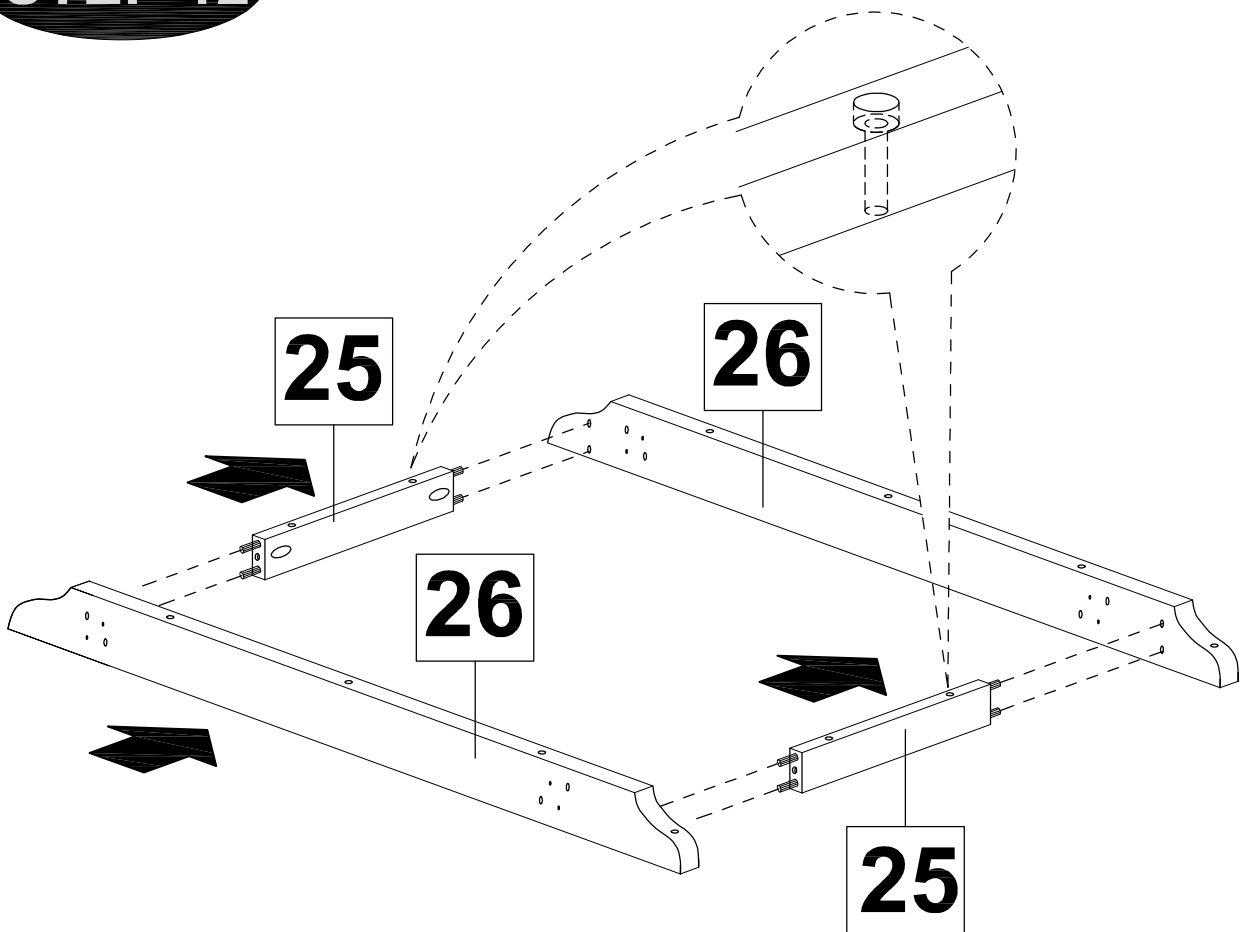
MODEL NAME:

CA 6379-00

**STEP 11**



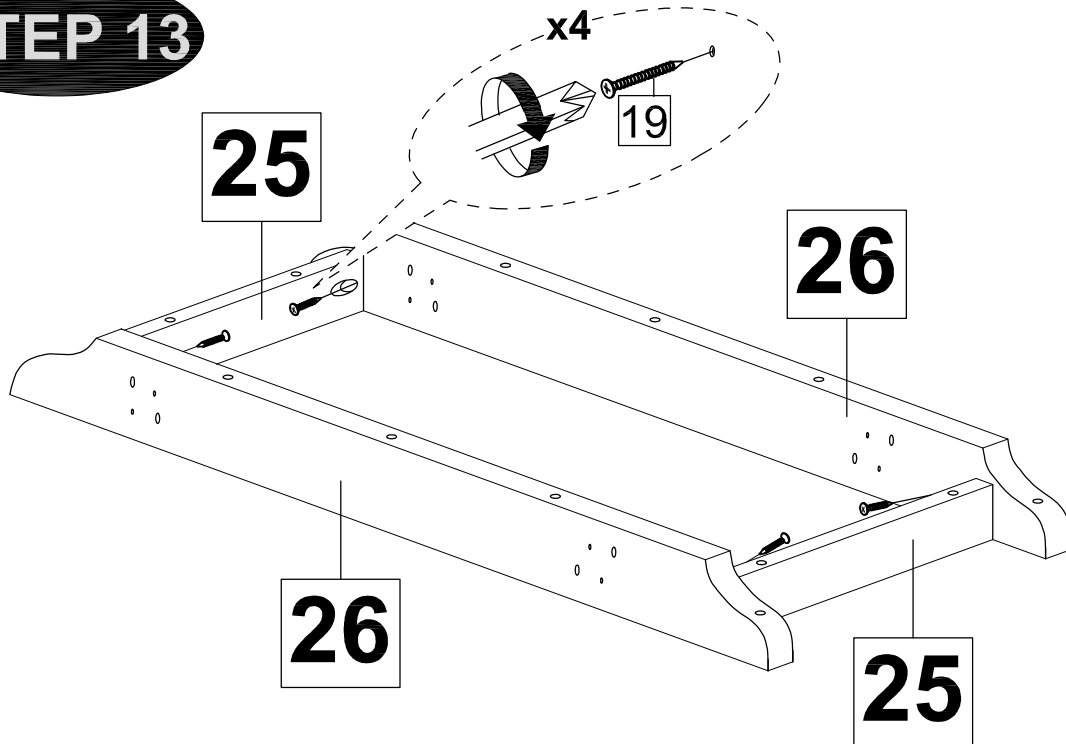
**STEP 12**



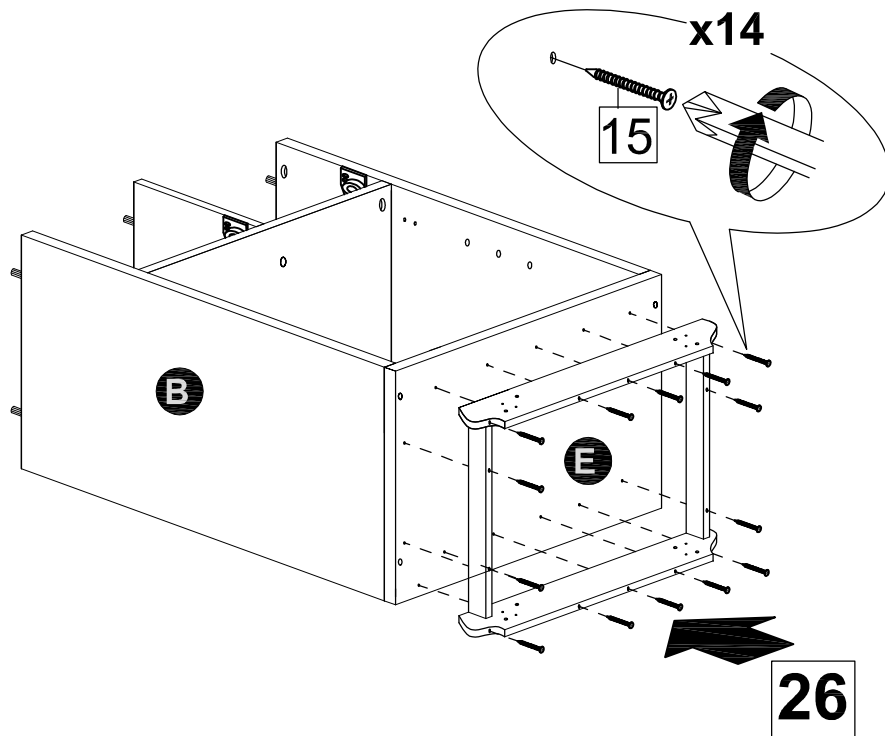
MODEL NAME:

CA 6379-00

**STEP 13**



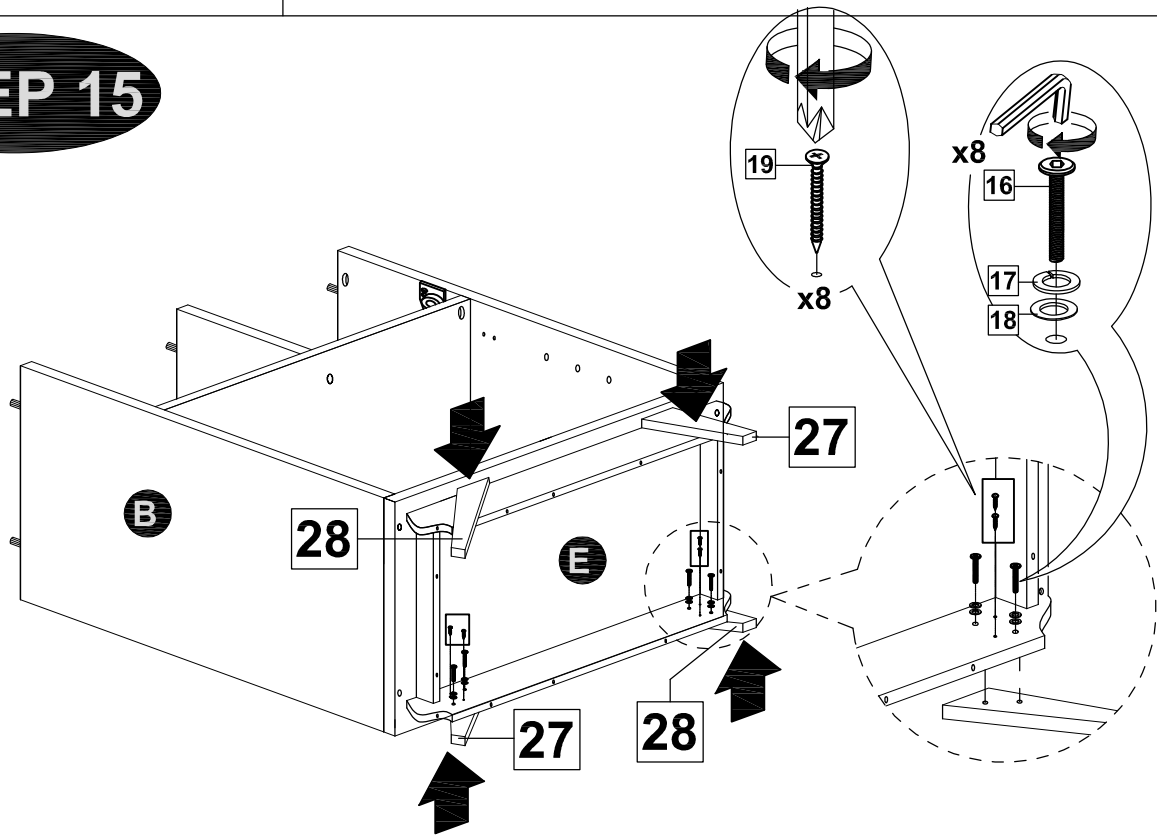
**STEP 14**



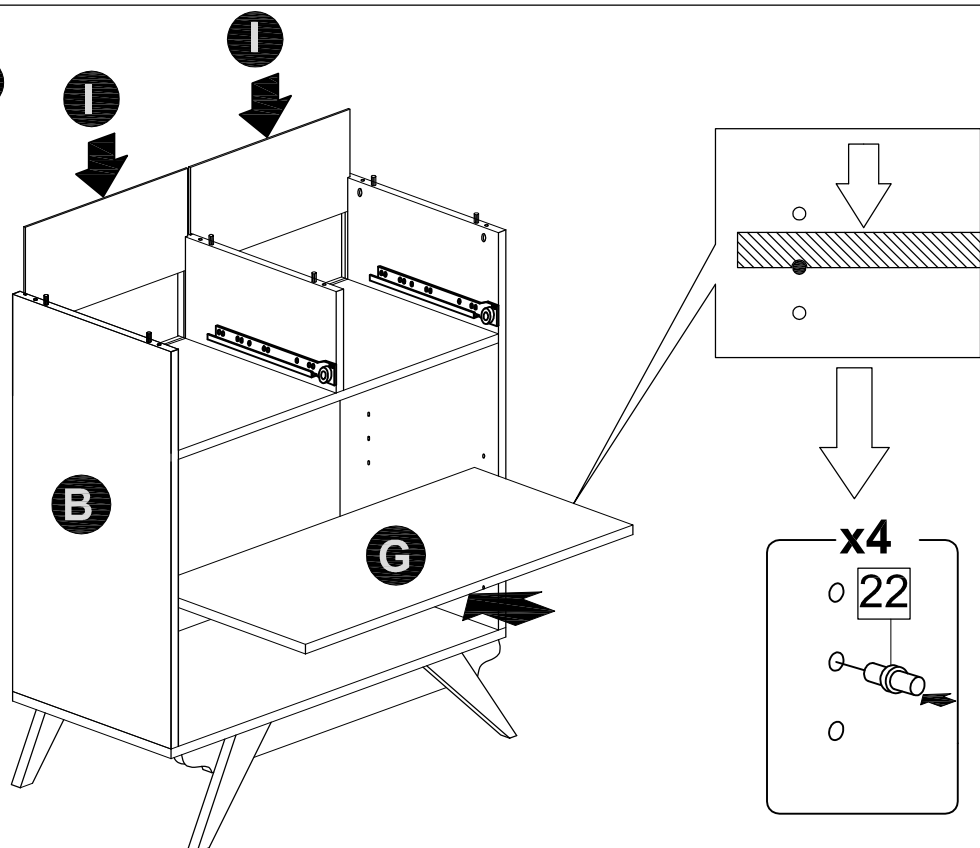
MODEL NAME:

CA 6379-00

**STEP 15**



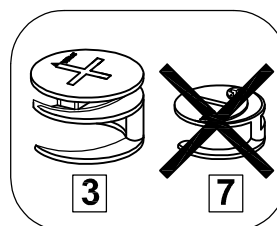
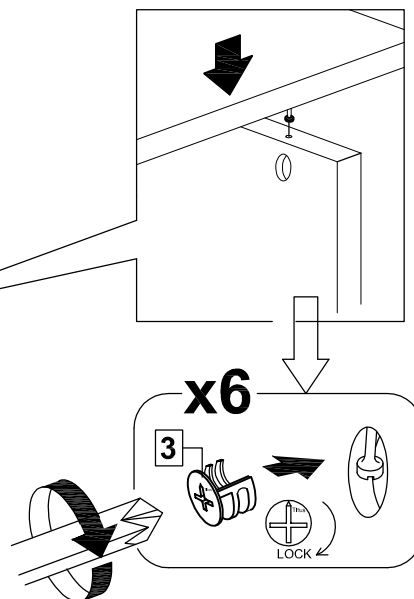
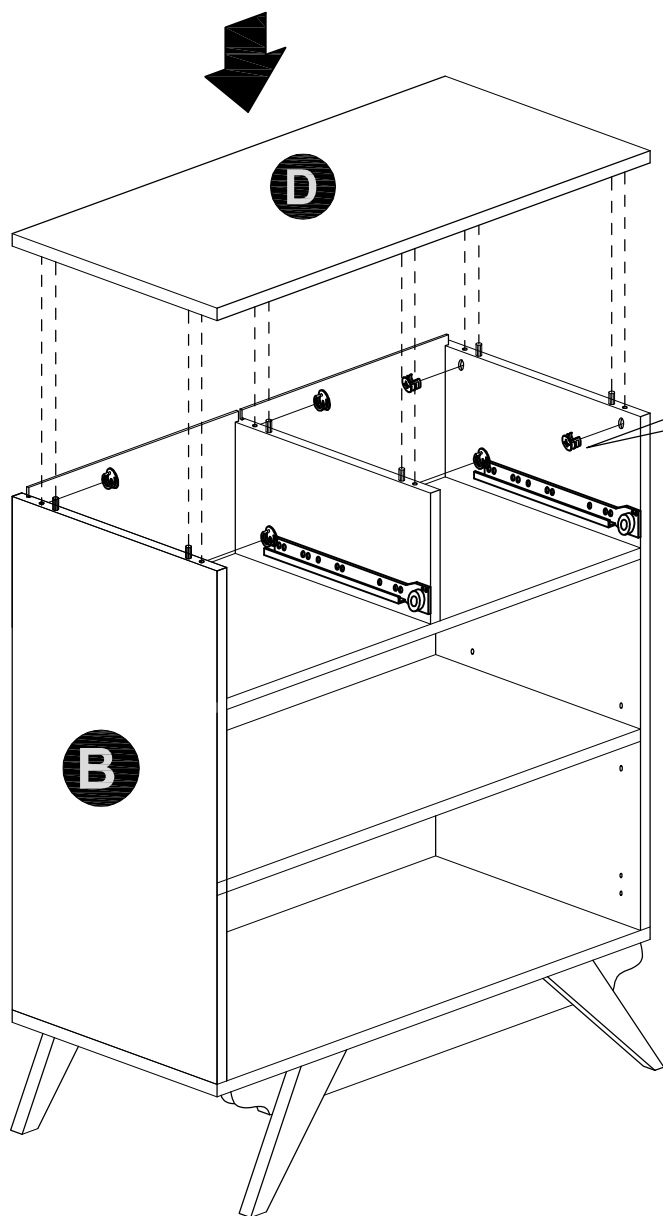
**STEP 16**



MODEL NAME:

CA 6379-00

**STEP 17**

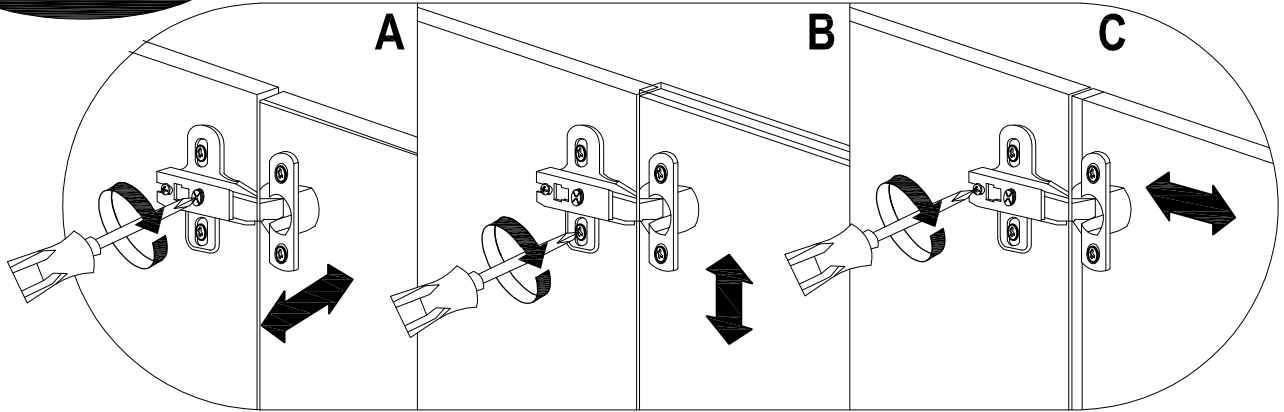


MODEL NAME:

CA 6379-00

**STEP 18**

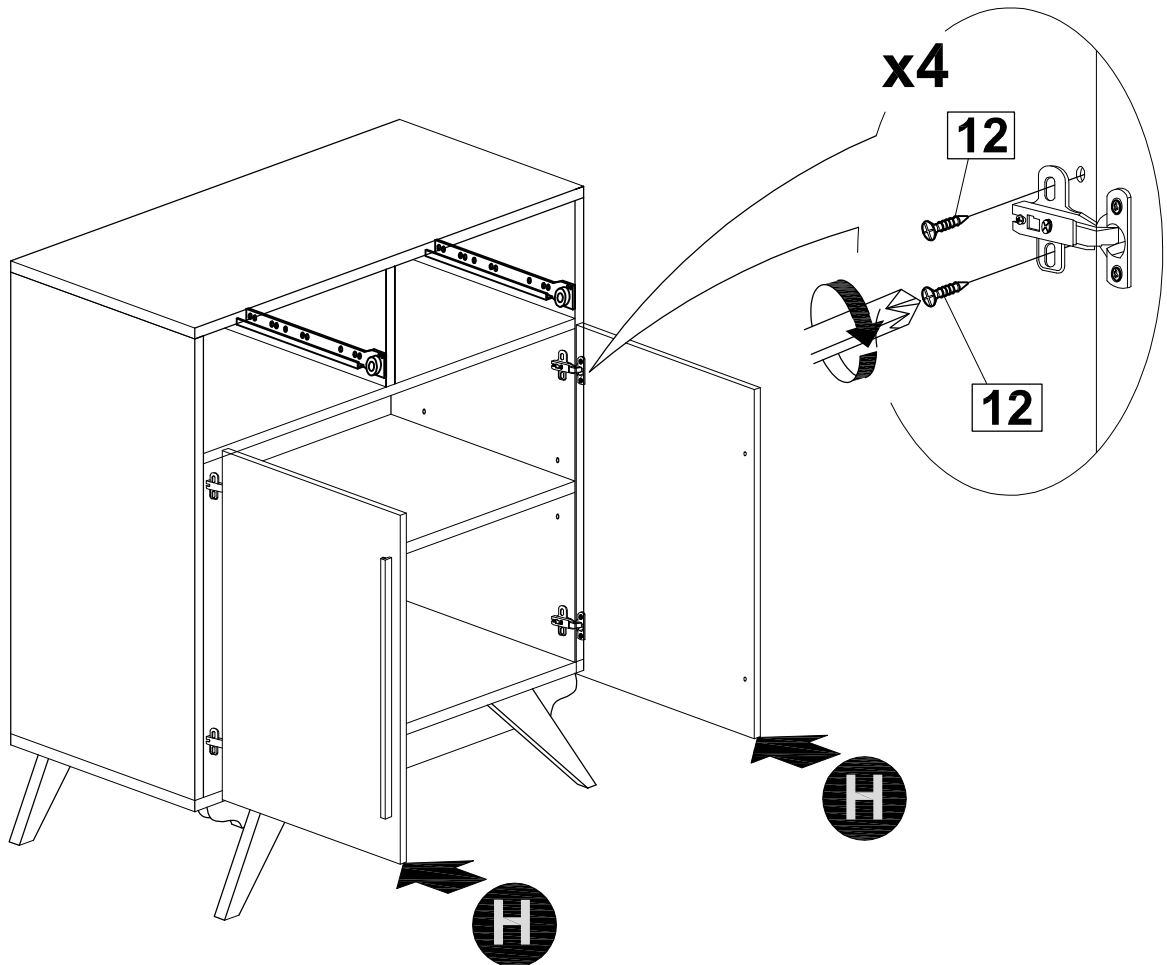
**Hinges Adjustment Facilities**



**A. Lateral adjustment by screw adjusting**

**B. Vertical adjustment via slot in the mounting plate**

**C. Front-to-Back by the slacking the hinge arm mounting screw**

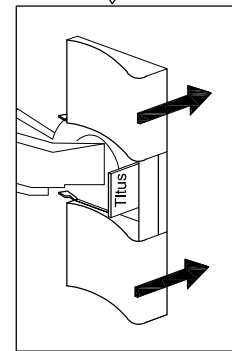
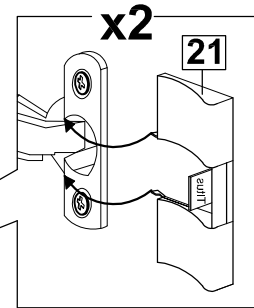
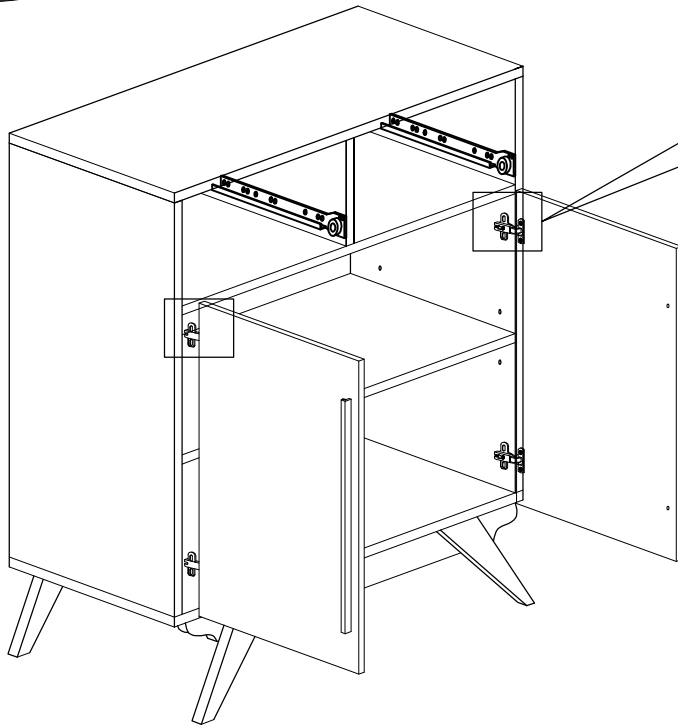




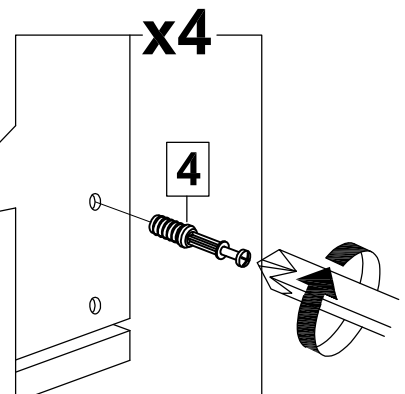
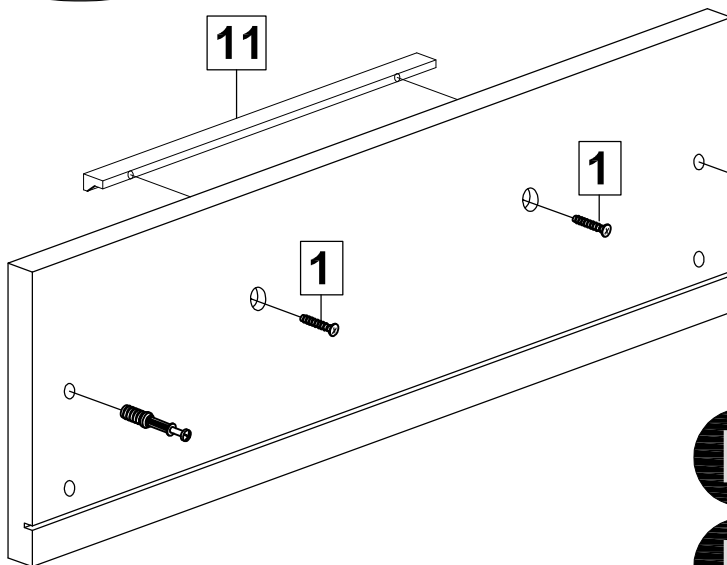
MODEL NAME:

CA 6379-00

**STEP 19**



**STEP 20**



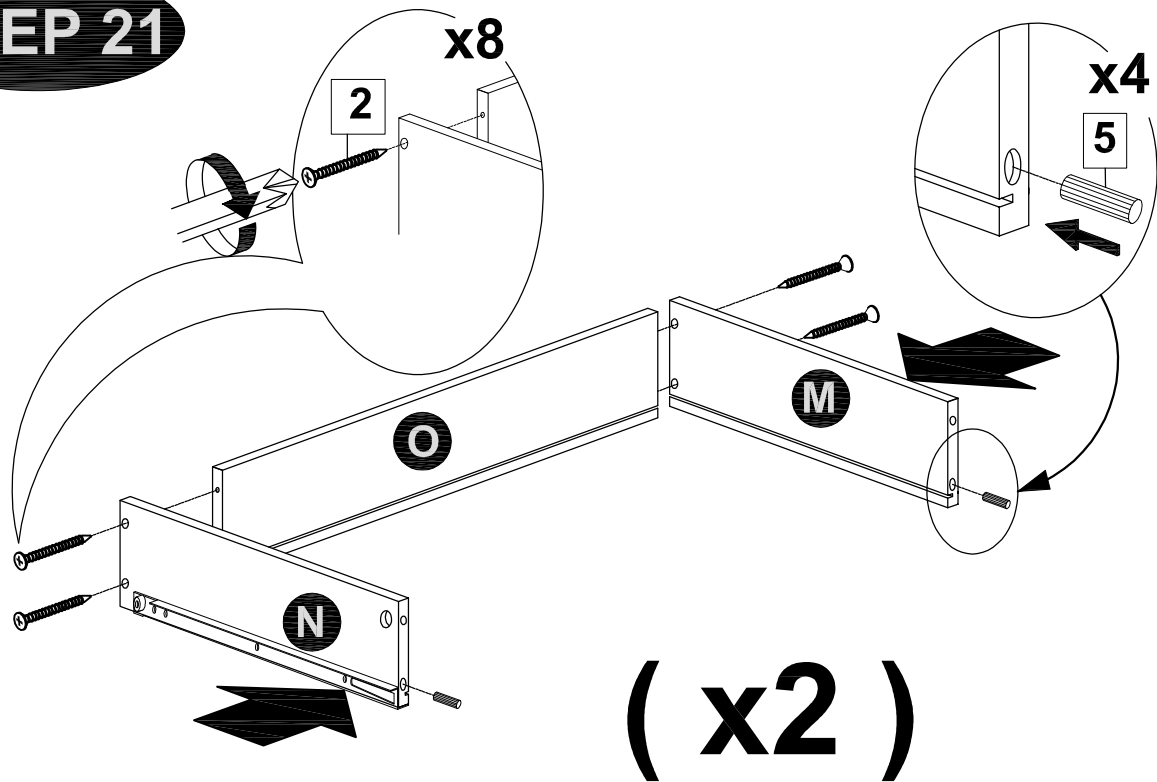
**K** ( x1 )

**L** ( x1 )

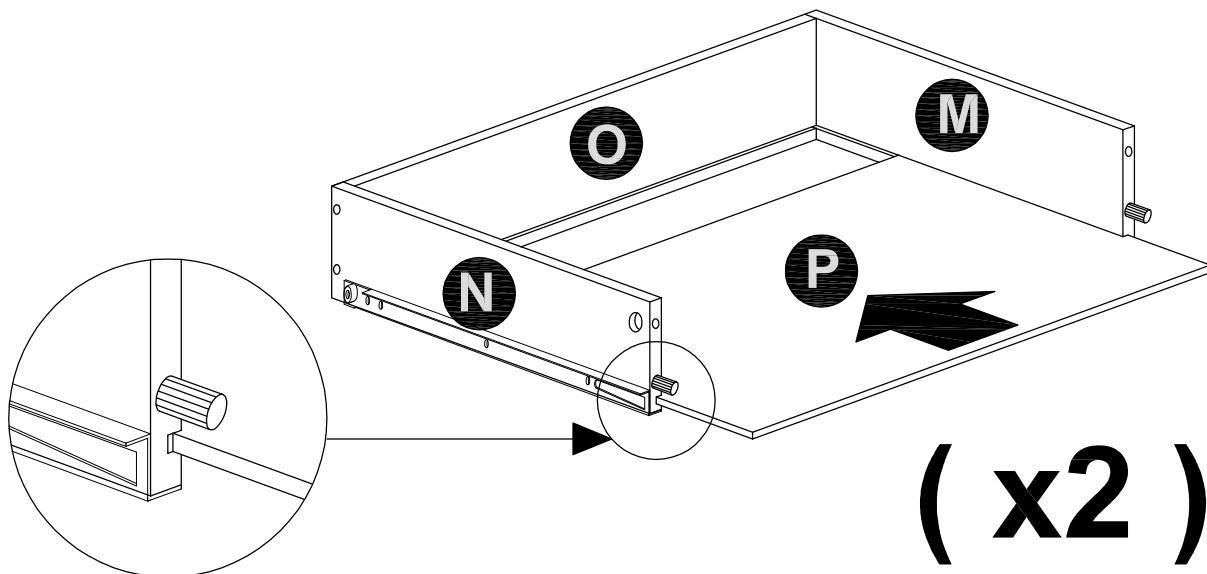
MODEL NAME:

CA 6379-00

**STEP 21**



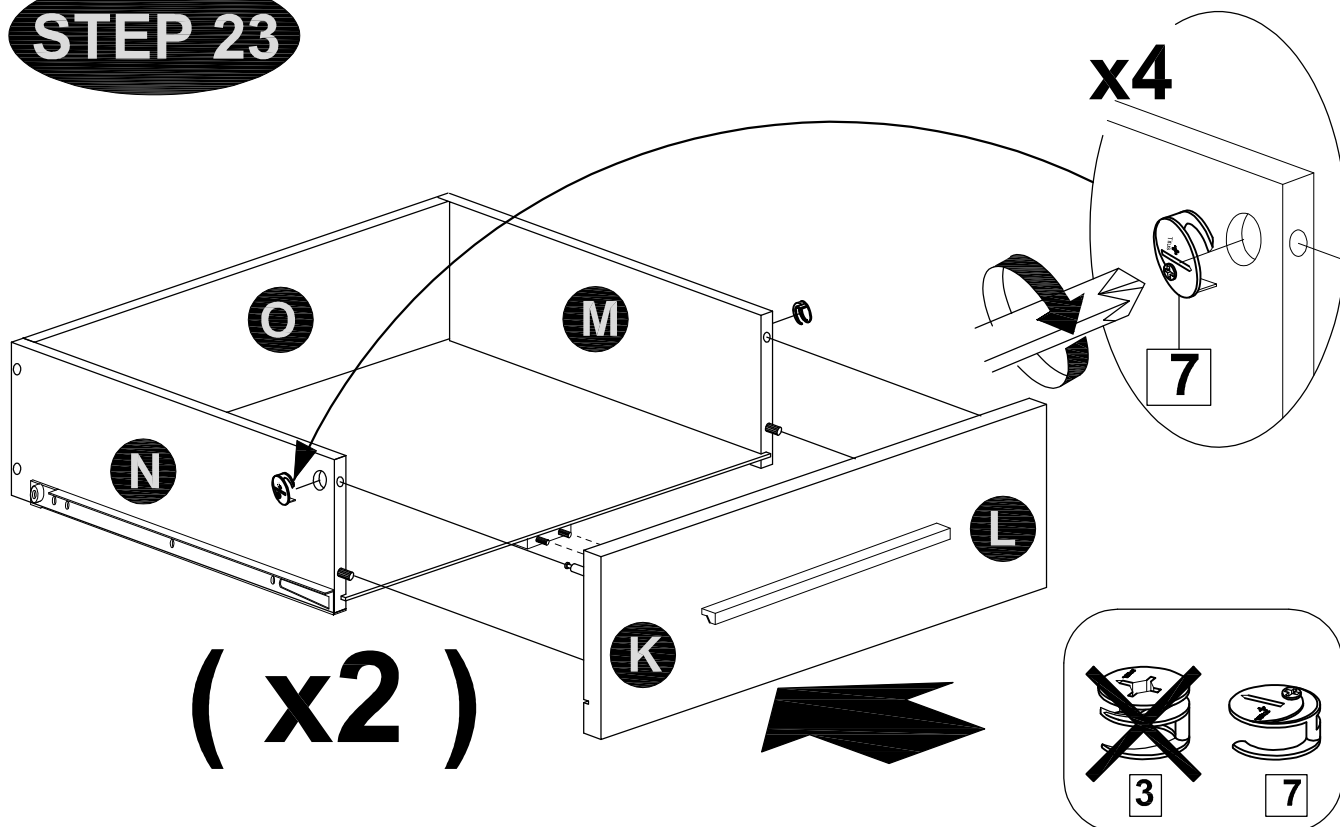
**STEP 22**



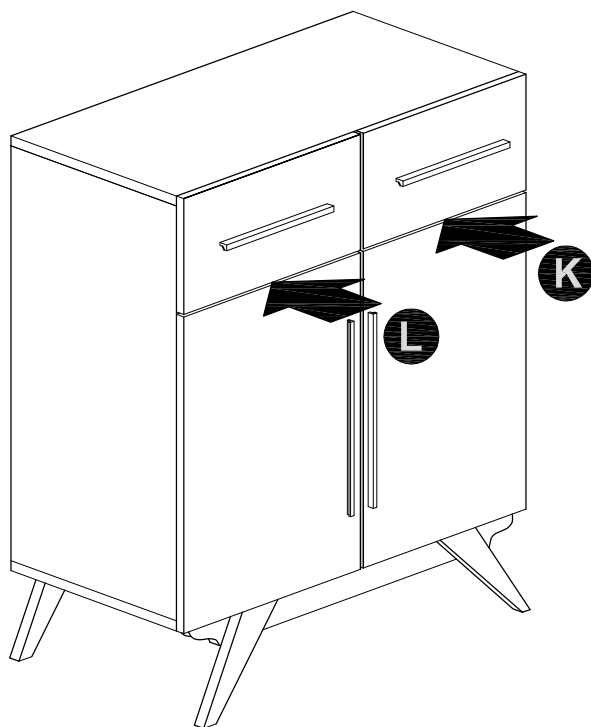
MODEL NAME:

CA 6379-00

**STEP 23**



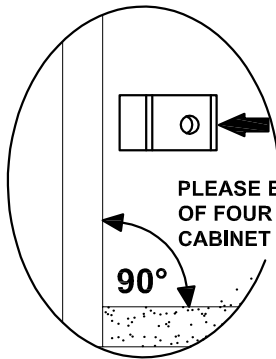
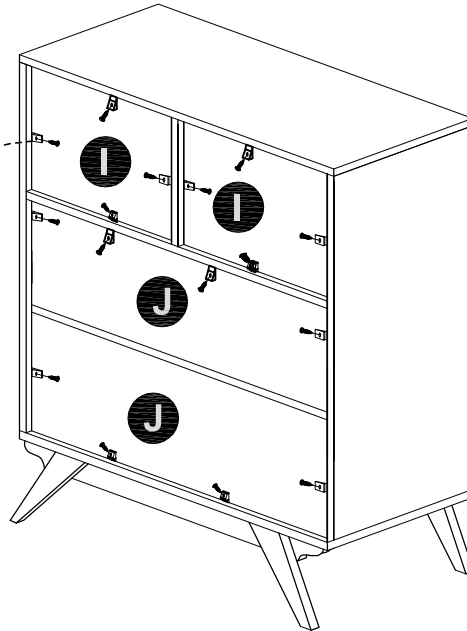
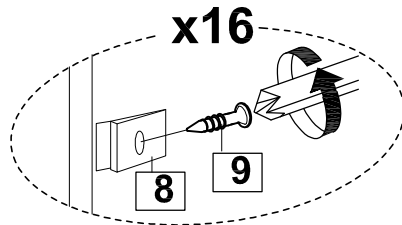
**STEP 24**



MODEL NAME:

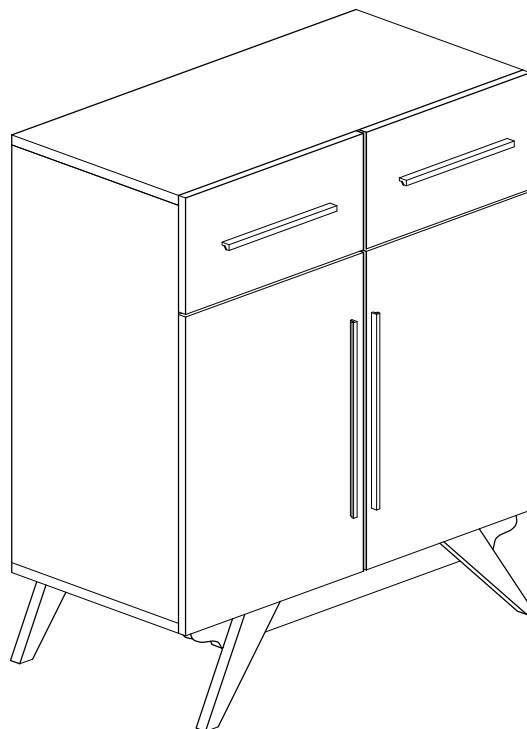
CA 6379-00

**STEP 25**



PLEASE ENSURE THAT EACH  
OF FOUR CORNERS OF  
CABINET ARE SQUARE

**STEP 26**



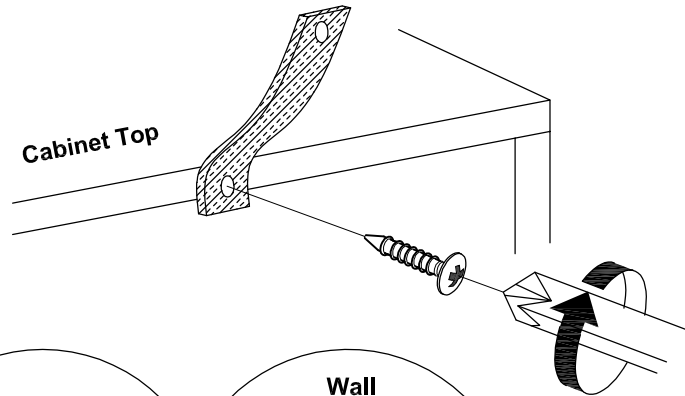
## SAFETY WARNING :

It is recommended that you fit the anti-tip bracket to this item to avoid tipping and causing injury.

## FITTING OF ANTI-TIP BRACKET

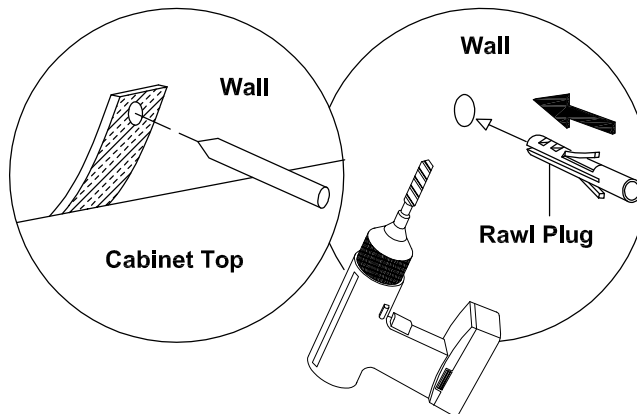
### STEP 1 :

Insert screws through bracket into pre-drilled holes in cabinet.



### STEP 2 :

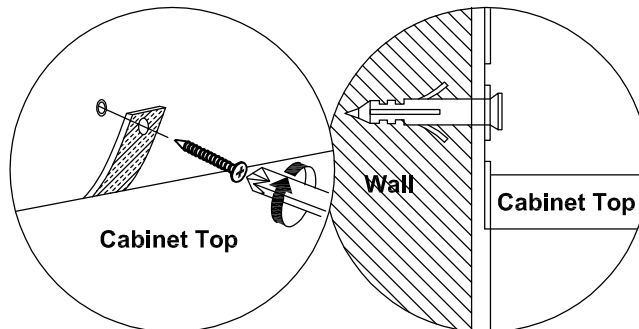
Make a mark on the wall through the bracket.



Drill a hole in the wall and insert the rawl plug.

### STEP 3 :

Insert screw through bracket into hole in wall



**NOTE :** Wall fixings are not supplied with this product as different wall materials require different types of fixing devices (such as Rawl plugs on brick work). You must use fixing devices suitable for the type of wall you intend to mount this product to. Please ensure that the head of any screw used as a diameter greater than the diameter of the mounting hole on the bracket and that the fixing is safe and secure before use.

The screw supplied is to fix the anti-tip strap to the cabinet.

### HARDWARE LIST



Anti-Tip Strap - 1pc



M4 x 16MM - 1pc