


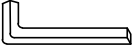


MODEL : C6498A / C7498A-050-XXXX-MIRROR

ASSEMBLY INSTRUCTIONS

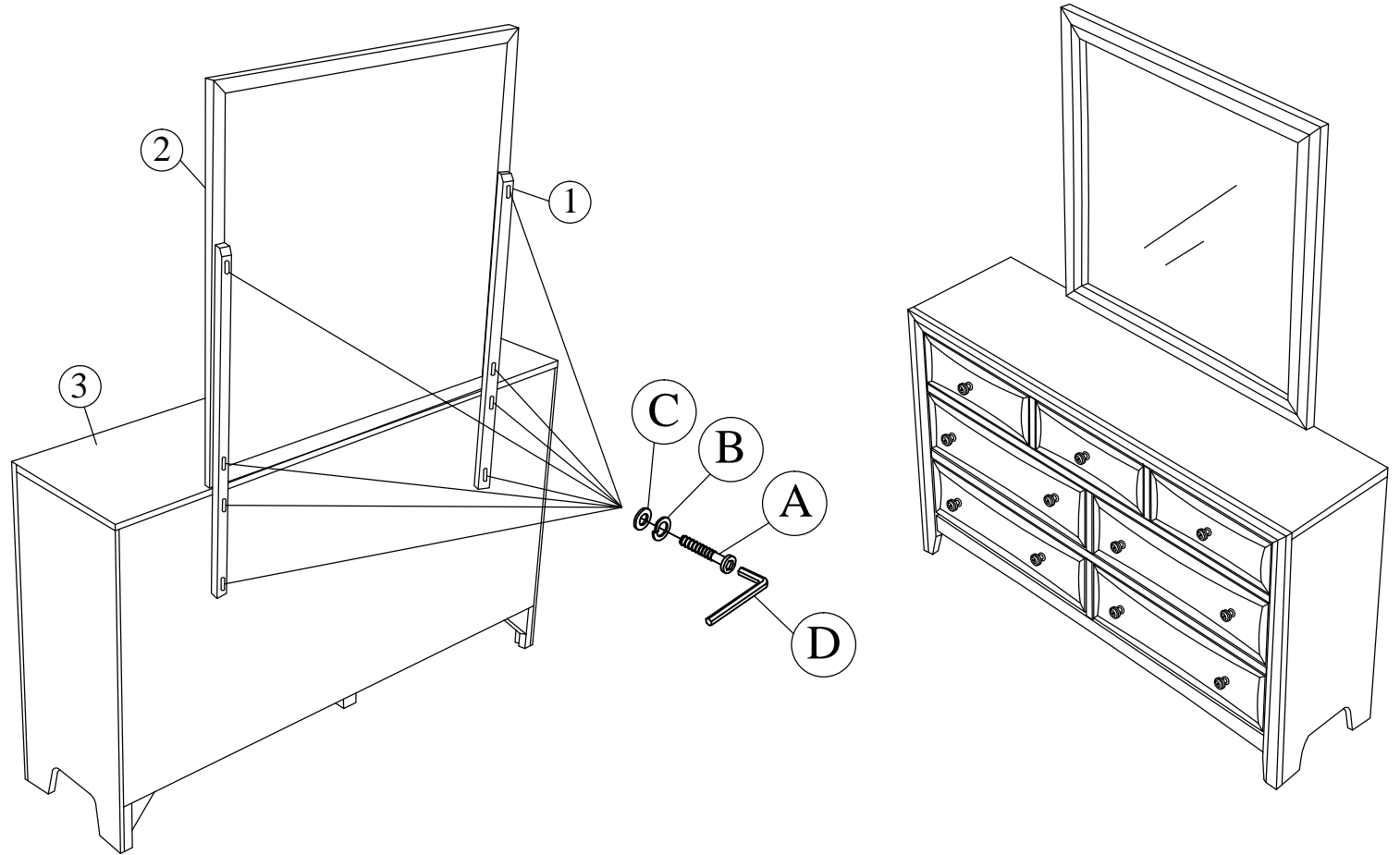
Thank you for purchasing this quality product. Be sure to check all packing material carefully for small parts which may have come loose inside the carton during the shipment.

HARDWARE

CODE	DESCRIPTION	QTY
A	 M6 x40MM JCBC BOLT	8X
B	 M6 x 13 SPRING WASHER	8X
C	 M6 x 19 FLAT WASHER	8X
D	 M4 x 60 ALLEN KEY	1X

PART LIST

NO	DESCRIPTION	QTY
1	MIRROR SUPPORT	2 PCS
2	MIRROR	1 PC
3	DRESSER	1 PC





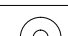
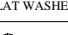
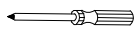


NOTE : MUST TIGHTEN SCREWS PERIODICALY WITH USE SCREW WILL BECOME LOOSE CHECK TIGHTNES OF ALL SCREW EVER 6-8WEEKS.

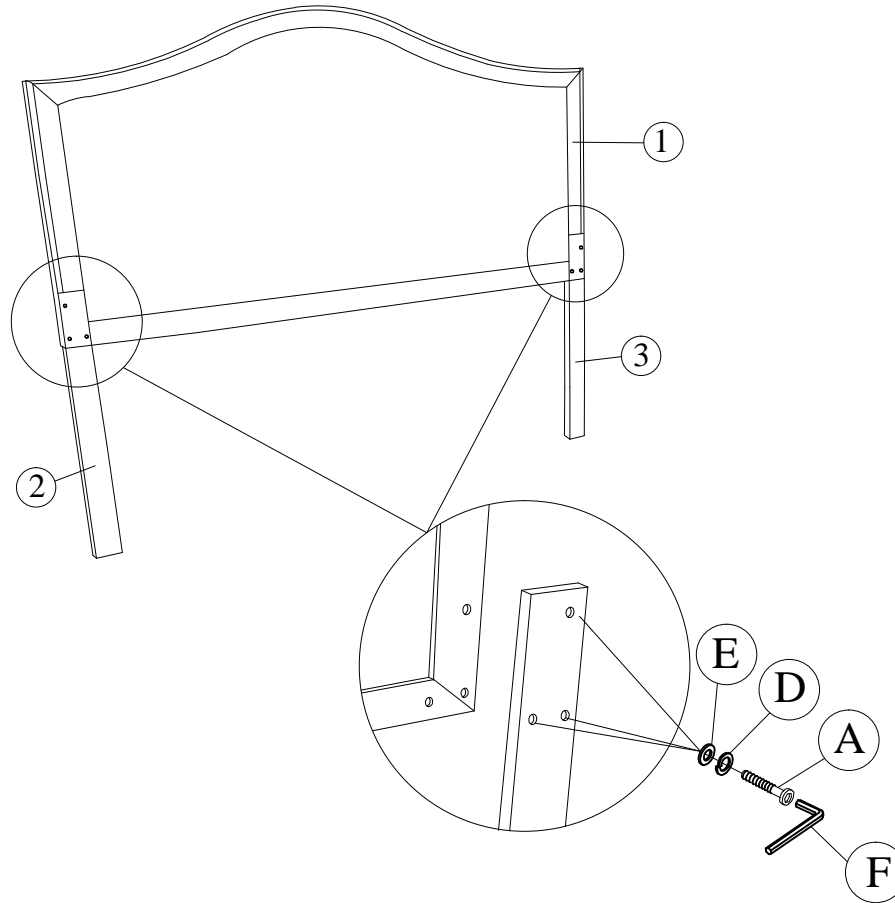
MODEL : C7498A-G49-XXXX KING HEADBOARD & FOOTBOARD W/4 SLATS, 8 SUPPORTS
 MODEL : C7498A-BXN/CXO-XXXX QUEEN/KING SIDE RAILS

ASSEMBLY INSTRUCTIONS

Thank you for purchasing this quality product. Be sure to check all packing material carefully for small parts which may have come loose in side the cartoon during the shipment.

HARDWARE		
CODE	DESCRIPTION	QTY
A	 M6 x 35MM JCBC BOLT	6X
B	 M6 x 45MM JCBC BOLT	8X
C	 CHIPBOARD SCREW M4 x 30	8X
D	 M6 x 13 SPRING WASHER	6X
E	 M6 x 13 FLAT WASHER	6X
F	 M4 x 60 ALLEN KEY	1X
		

STEP 1



PART LIST		
NO	DESCRIPTION	QTY
1	HEADBOARD	1 PC
2	H-B LEG - R	1 PC
3	H-B LEG - L	1 PC
4	SIDE RAIL	2 PCS
5	FOOTBOARD	1 PC
6	WOODEN SLAT	4 PCS
7	SUPPORT SLAT	8 PCS

NOTE : MUST TIGHTEN SCREWS PERIODICALY WITH USE SCREW WILL BECOME LOOSE CHECK TIGHTNES OF ALL SCREW EVER 6-8WEEKS.

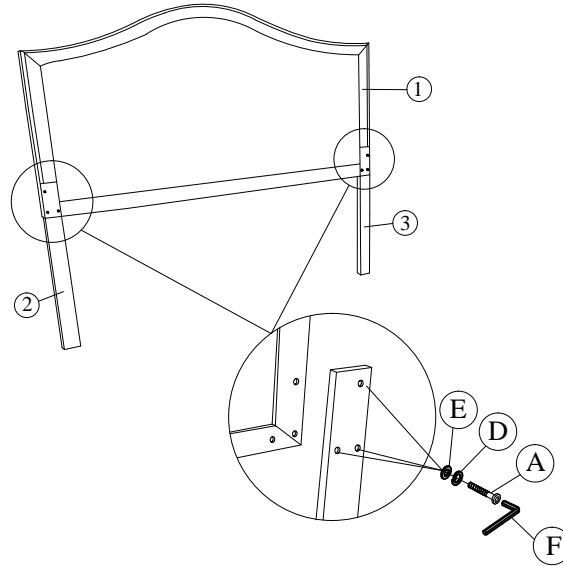
MODEL : C7498A-G49-XXXX KING HEADBOARD & FOOTBOARD W/4 SLATS, 8 SUPPORTS
 MODEL : C7498A-BXN/CXO-XXXX QUEEN/KING SIDE RAILS

ASSEMBLY INSTRUCTIONS

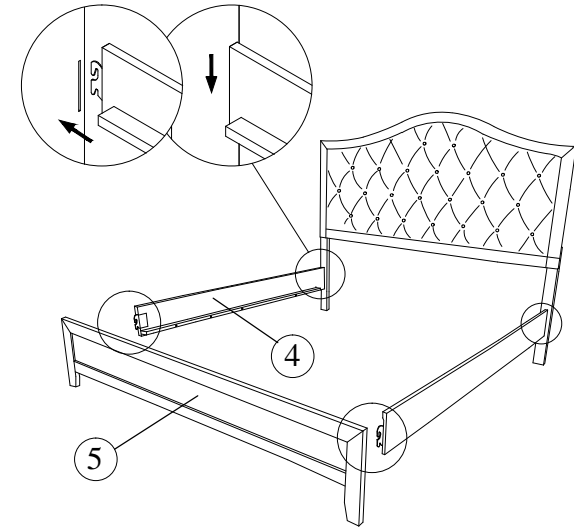
Thank you for purchasing this quality product. Be sure to check all packing material carefully for small parts which may have come loose in side the cartoon during the shipment.

HARDWARE		
CODE	DESCRIPTION	QTY
A	M6 x35MM JCBC BOLT	6X
B	M6 x 45MM JCBC BOLT	4X
C	CHIPBOARD SCREW M4 x 30	8X
D	M6 x 13 SPRING WASHER	6X
E	M6 x 13 FLAT WASHER	6X
F	M4 x 60 ALLEN KEY	1X

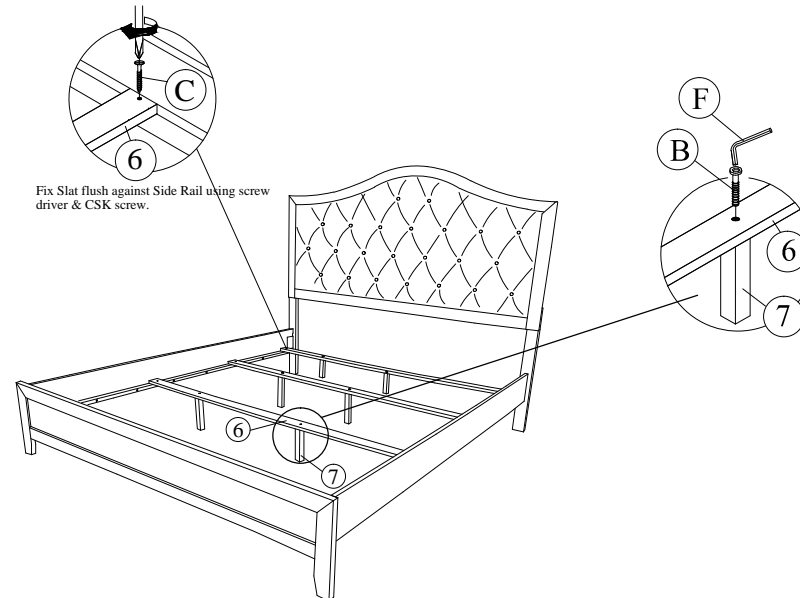
STEP 1



STEP 2







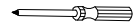


STEP 3

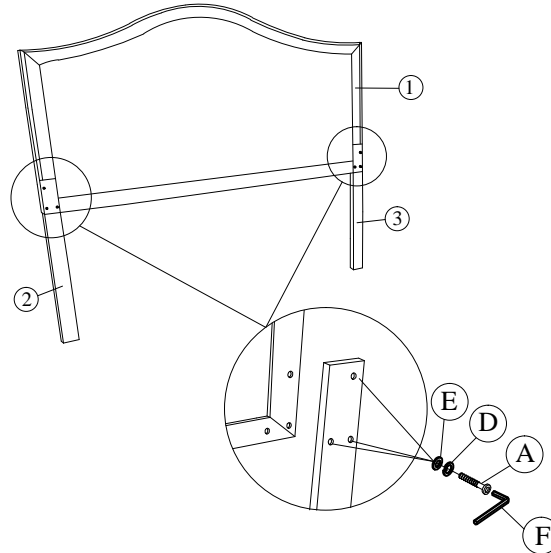


PART LIST		
NO	DESCRIPTION	QTY
1	HEADBOARD	1 PC
2	H-B LEG - R	1 PC
3	H-B LEG - L	1 PC
4	SIDE RAIL	2 PCS
5	FOOTBOARD	1 PC
6	WOODEN SLAT	4 PCS
7	SUPPORT SLAT	8 PCS

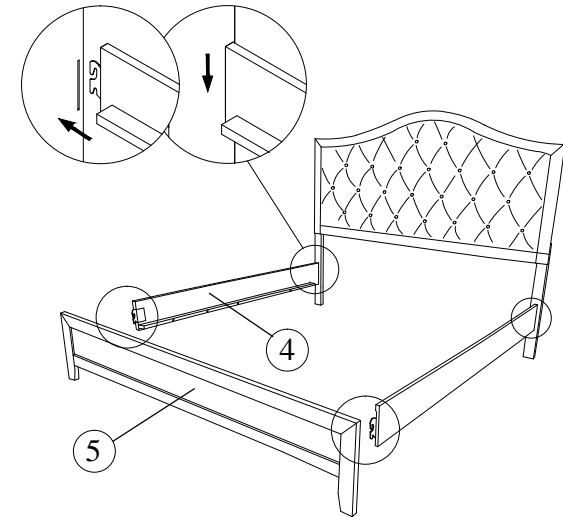
Thank you for purchasing this quality product. Be sure to check all packing material carefully for small parts which may have come loose inside the carton during the shipment.

HARDWARE		
CODE	DESCRIPTION	QTY
A	 M6 x 35MM JCBC BOLT	6X
B	 M6 x 45MM JCBC BOLT	4X
C	 CHIPBOARD SCREW M4 x 30	8X
D	 M6 x 13 SPRING WASHER	6X
E	 M6 x 13 FLAT WASHER	6X
F	 M4 x 60 ALLEN KEY	1X
		

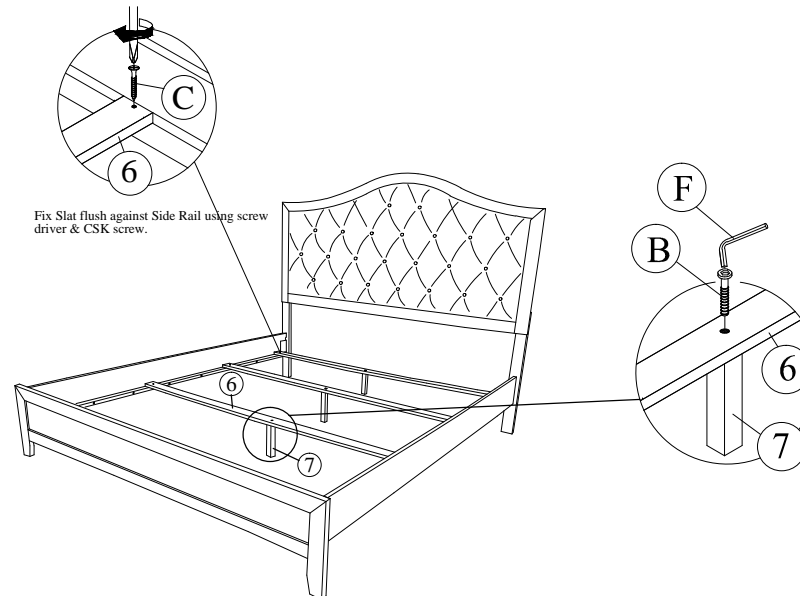
STEP 1



STEP 2



STEP 3



PART LIST		
NO	DESCRIPTION	QTY
1	HEADBOARD	1 PC
2	H-B LEG - R	1 PC
3	H-B LEG - L	1 PC
4	SIDE RAIL	2 PCS
5	FOOTBOARD	1 PC
6	WOODEN SLAT	4 PCS
7	SUPPORT SLAT	4 PCS