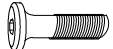


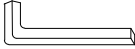


ASSEMBLY INSTRUCTIONS

C7313-050-MBXX MIRROR

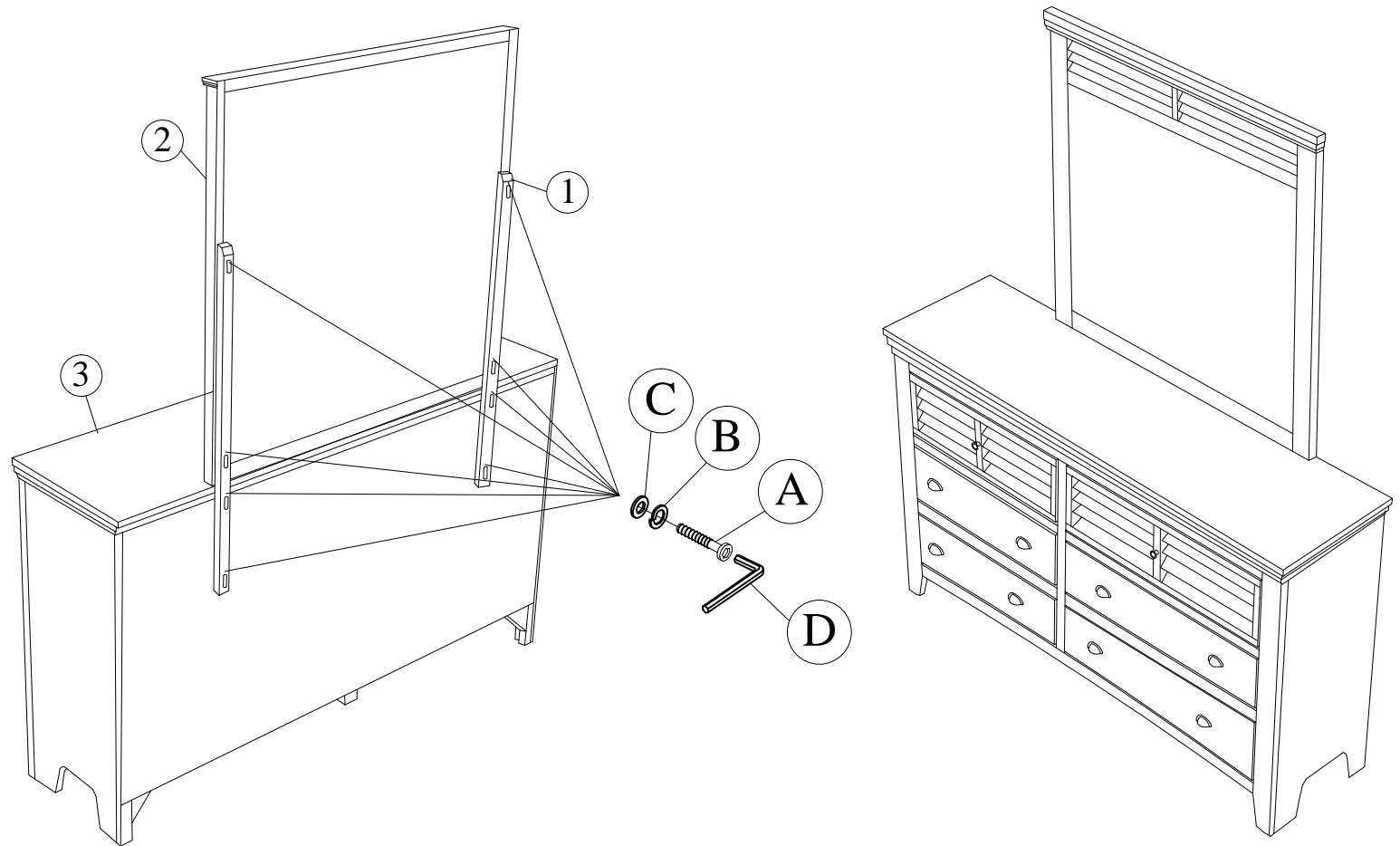
Thank you for purchasing this quality product. Be sure to check all packing material carefully for small parts which may have come loose inside the carton during the shipment.

HARDWARE

CODE	DESCRIPTION	QTY
A	 M6 x 40MM JCBC BOLT	8X
B	 M6 x 13 SPRING WASHER	8X
C	 M6 x 19 FLAT WASHER	8X
D	 M4 x 60 ALLEN KEY	1X

PART LIST

NO	DESCRIPTION	QTY
1	MIRROR SUPPORT	2 PCS
2	MIRROR	1 PC
3	DRESSER	1 PC



NOTE : MUST TIGHTEN SCREWS PERIODICALY WITH USE SCREW WILL BECOME LOOSE CHECK TIGHTNES OF ALL SCREW EVER 6-8WEEKS.


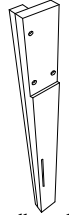
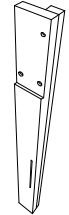
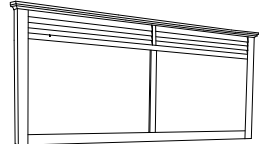
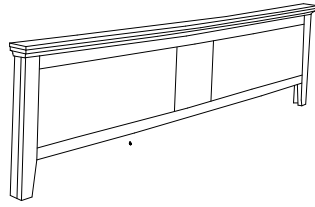

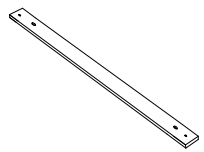


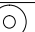
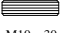
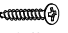

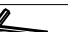
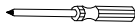
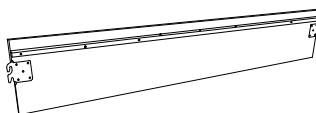
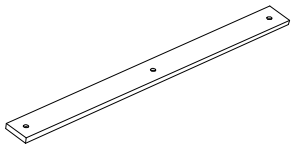
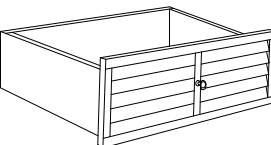
ASSEMBLY INSTRUCTIONS

C7313-G91/Q91-XXXX - KING/QUEEN STORAGE HEADBOARD & FOOTBOARD W/14 SLATS, 3 SUPPORTS

C7313-GXZ/WFQ-2DXX - KING/QUEEN STORAGE CASE, 2 DRAWERS

C7313-B92-XXXX - QUEEN/KING STORAGE SIDERAIL SET (2) W/CENTER RAIL (S)

Thank you for purchasing this quality product. Be sure to check all packing material carefully for small parts which may have come loose inside the carton during the shipment .

HARDWARE			PART LIST	
CODE	DESCRIPTION	QTY		
A	 M6 x 35MM JCBC BOLT	6X	<div style="text-align: center;">PART IN BOX 1 HARDWARE INSIDE</div>      	
B	 M6 x 45MM JCBC BOLT	10X		
C	 M6 x 13 SPRING WASHER	11X	① Headboard Leg - L - 1pc	② Headboard Leg - R - 1pc
D	 M6 x 13 FLAT WASHER	11X	③ Headboard - 1pc	④ Footboard - 1pc
E	 M10 x 30 WOOD DOWEL	2X	⑤ Storage Support Leg - 2pcs	⑥ Bed Slat (4 holes) - 1pc
F	 M4 x 30 CHIPBOARD SCREW	28X	⑦ Bed Slat (3 holes) - 3pcs	⑧ Bed Slat / 2SET - 10pcs
G	 M4 x 12 CHIPBOARD SCREW	8X	⑨ Slat Support Leg - 3pcs	⑩ Bed Sheet Holder Panel - 1pc
H	 M4 x 60 ALLEN KEY	1X	⑪ Storage Panel - 1pc	
			PART IN BOX 2	
				
			PART IN BOX 3	
				
			⑫ Side Rail - L&R - 2pcs	⑬ Center Rail = 1pc
			⑭ Drawer - 2pcs	

ASSEMBLY INSTRUCTIONS

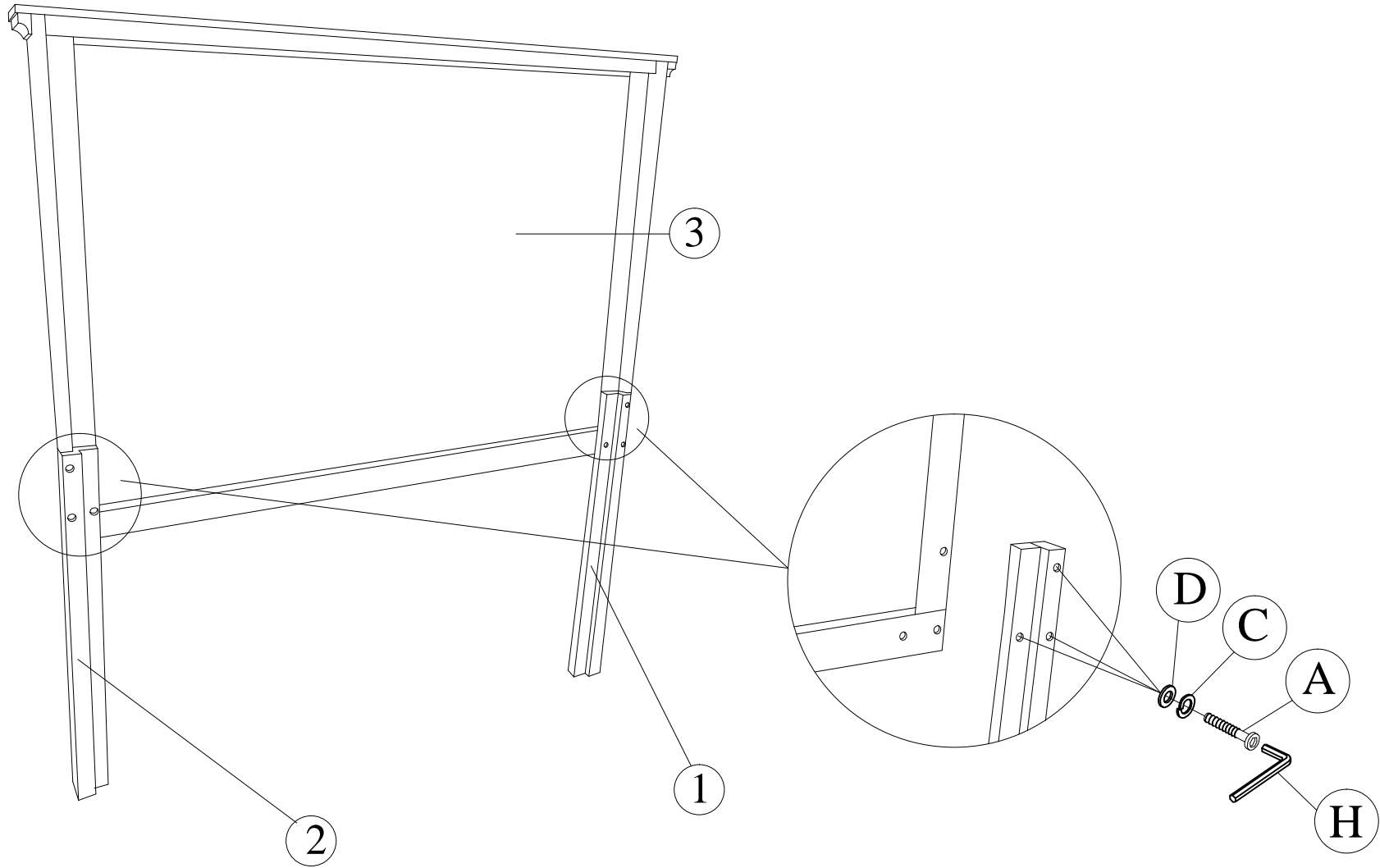
C7313-G91/Q91-XXXX - KING/QUEEN STORAGE HEADBOARD & FOOTBOARD W/14 SLATS, 3 SUPPORTS

C7313-GXZ/WFQ-2DXX - KING/QUEEN STORAGE CASE, 2 DRAWERS

C7313-B92-XXXX - QUEEN / KING STORAGE SIDERAIL SET (2) W/CENTER RAIL (S)

Thank you for purchasing this quality product. Be sure to check all packing material carefully for small parts which may have come loose inside the carton during the shipment .

STEP - 1



2 OF 8

NOTE : MUST TIGHTEN SCREWS PERIODICALY WITH USE SCREW WILL BECOME LOOSE CHECK TIGHTNES OF ALL SCREW EVERY 6-8WEEKS.

ASSEMBLY INSTRUCTIONS

C7313-G91/Q91-XXXX - KING/QUEEN STORAGE HEADBOARD & FOOTBOARD W/14 SLATS, 3 SUPPORTS

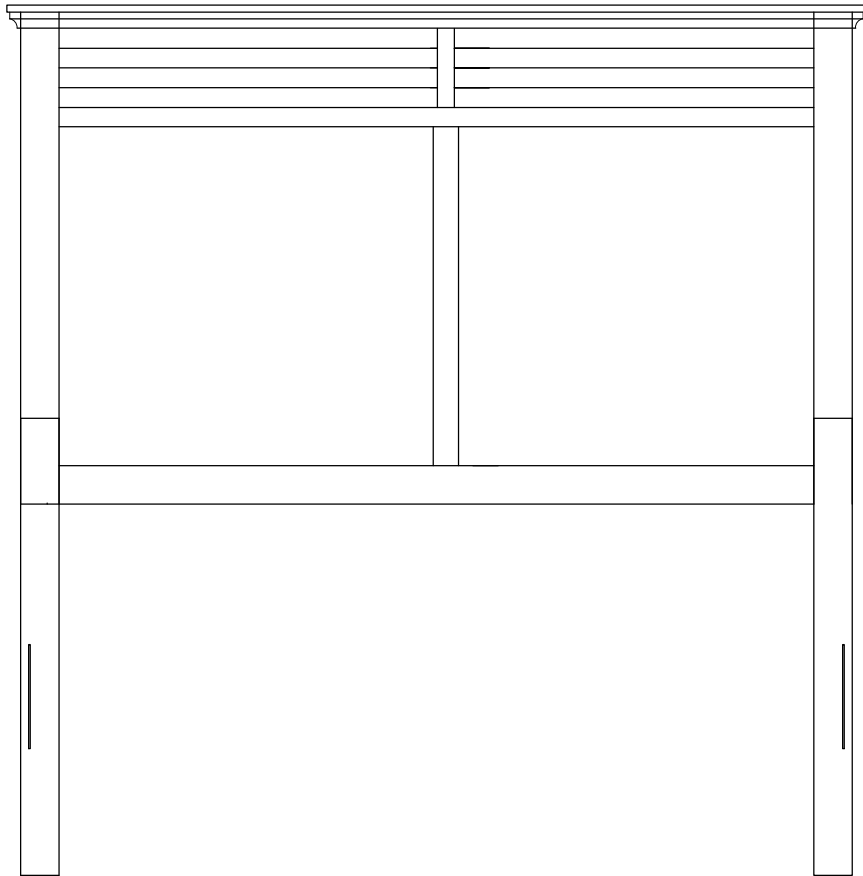
C7313-GXZ/WFQ-2DXX - KING/QUEEN STORAGE CASE, 2 DRAWERS

C7313-B92-XXXX - QUEEN / KING STORAGE SIDERAIL SET (2) W/CENTER RAIL (S)

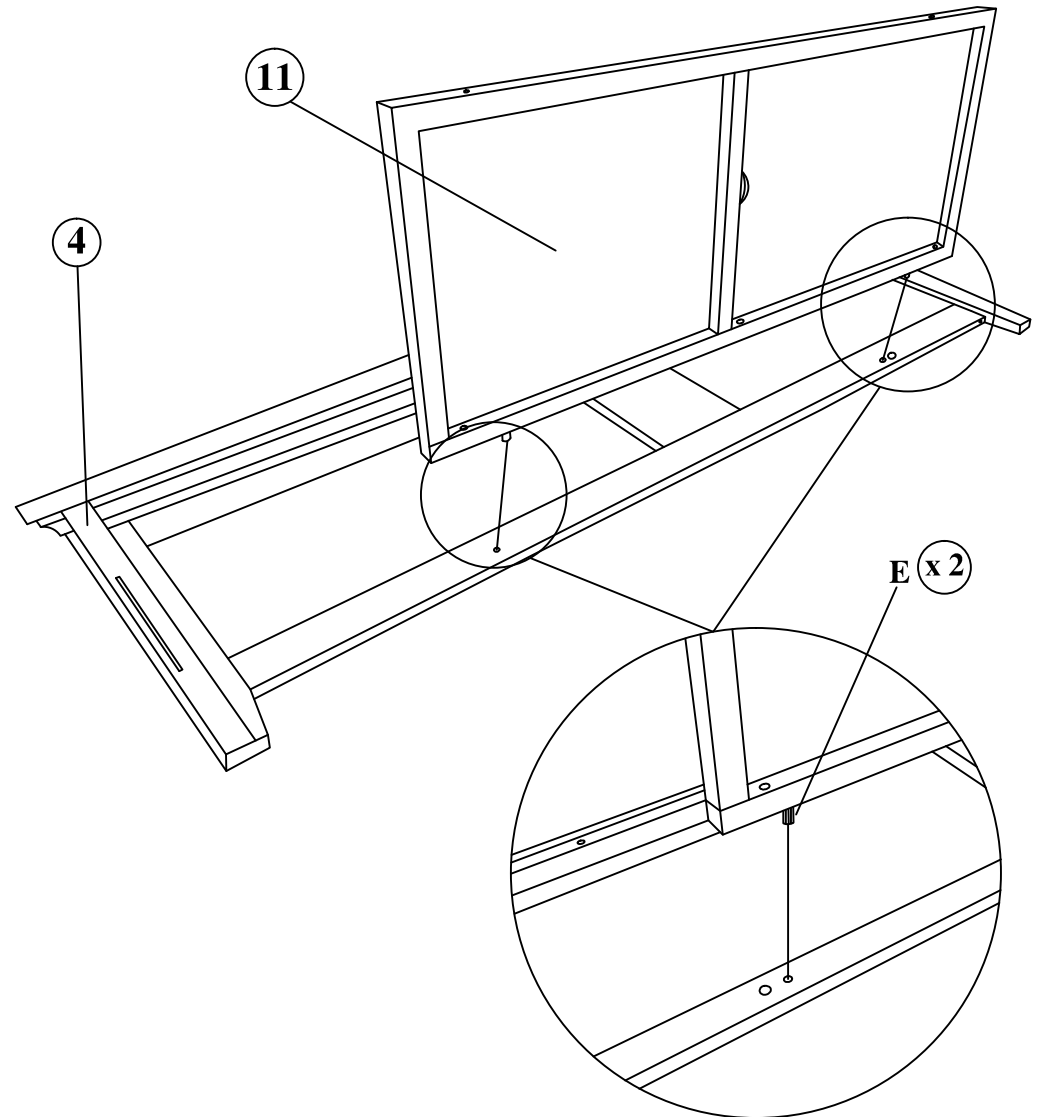
Thank you for purchasing this quality product. Be sure to check all packing material carefully for small parts which may have come loose inside the carton during the shipment .

STEP - 2

HEADBOARD COMPLETED



STEP - 3



ASSEMBLY INSTRUCTIONS

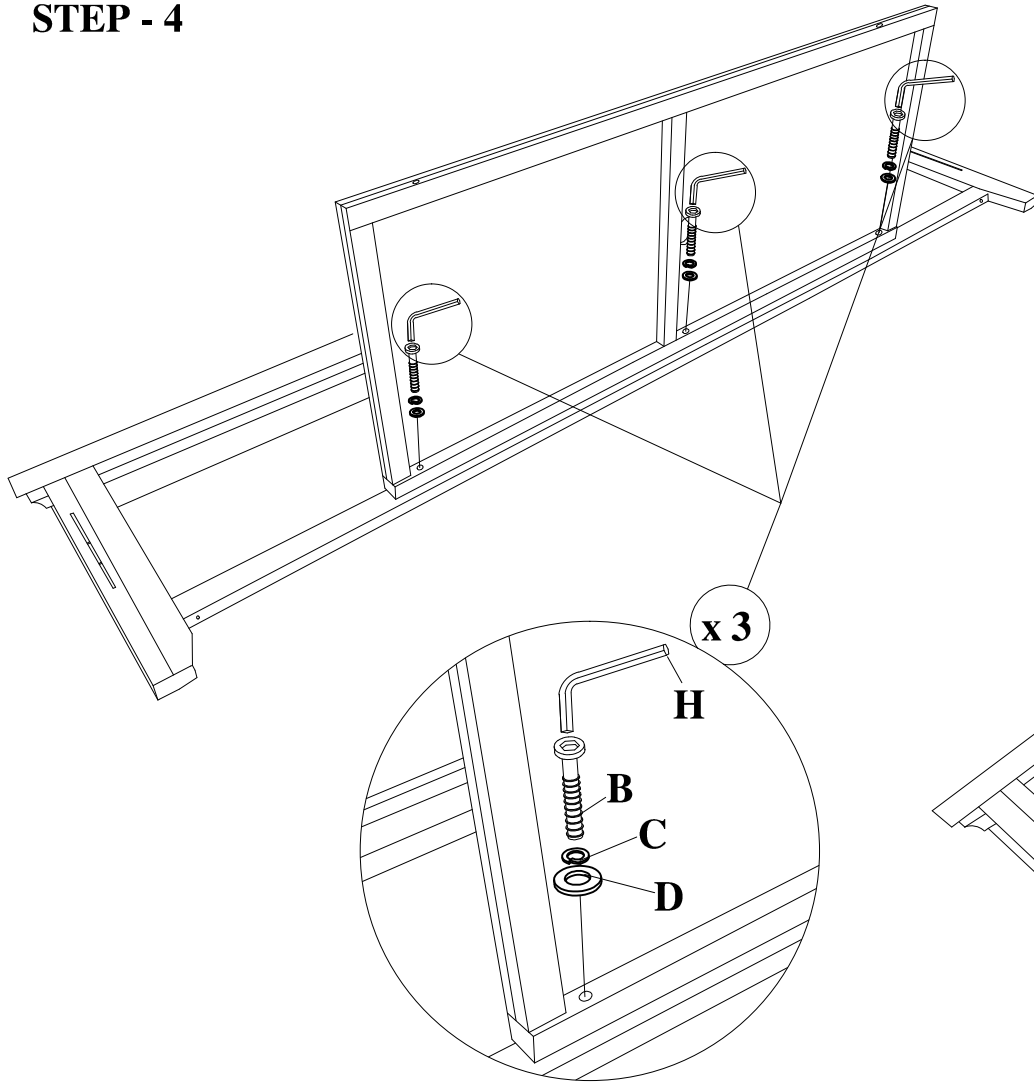
C7313-G91/Q91-XXXX - KING/QUEEN STORAGE HEADBOARD & FOOTBOARD W/14 SLATS, 3 SUPPORTS

C7313-GXZ/WFQ-2DXX - KING/QUEEN STORAGE CASE, 2 DRAWERS

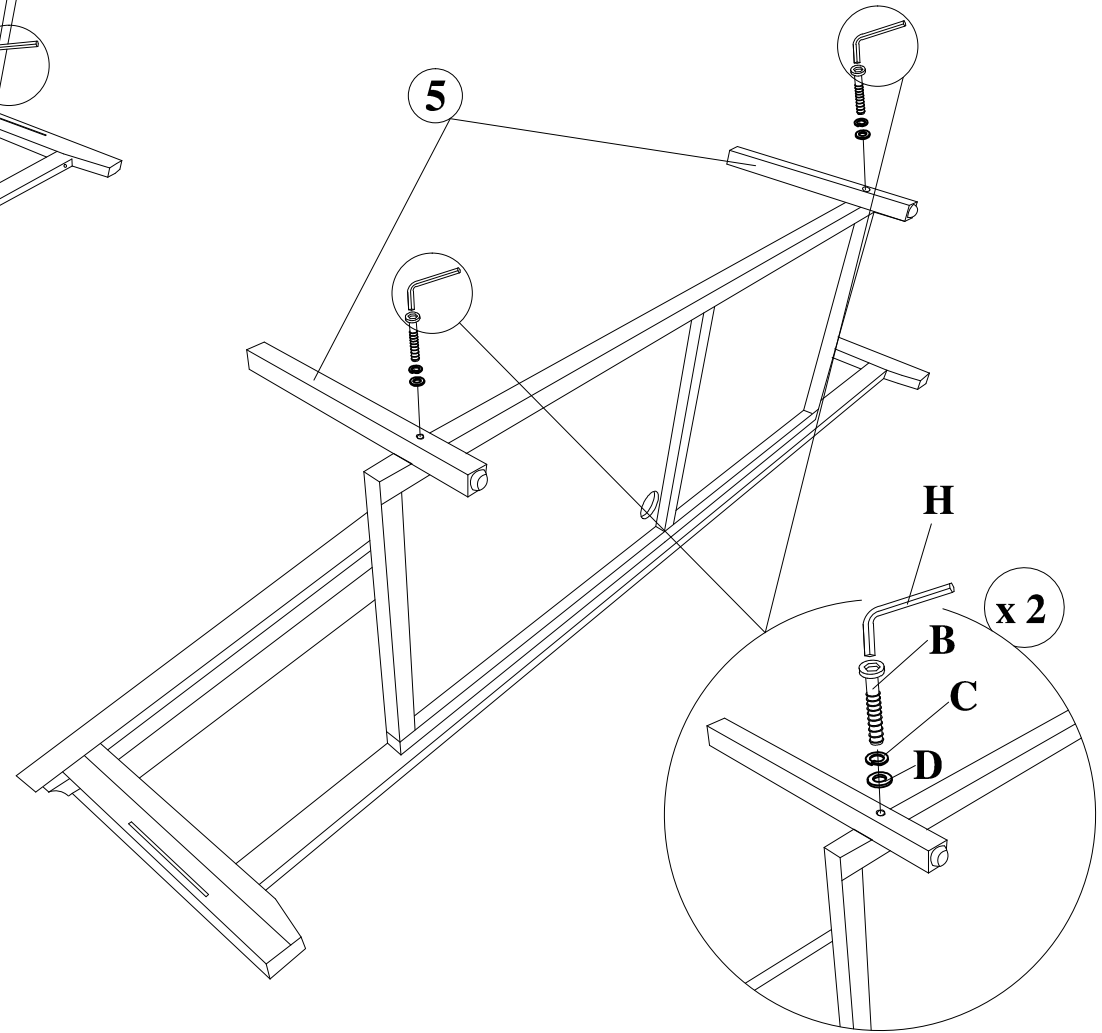
C7313-B92-XXXX - QUEEN / KING STORAGE SIDERAIL SET (2) W/CENTER RAIL (S)

Thank you for purchasing this quality product. Be sure to check all packing material carefully for small parts which may have come loose inside the carton during the shipment .

STEP - 4



STEP - 5



4 OF 8

NOTE : MUST TIGHTEN SCREWS PERIODICALY WITH USE SCREW WILL BECOME LOOSE CHECK TIGHTNES OF ALL SCREW EVERY 6-8WEEKS.

ASSEMBLY INSTRUCTIONS

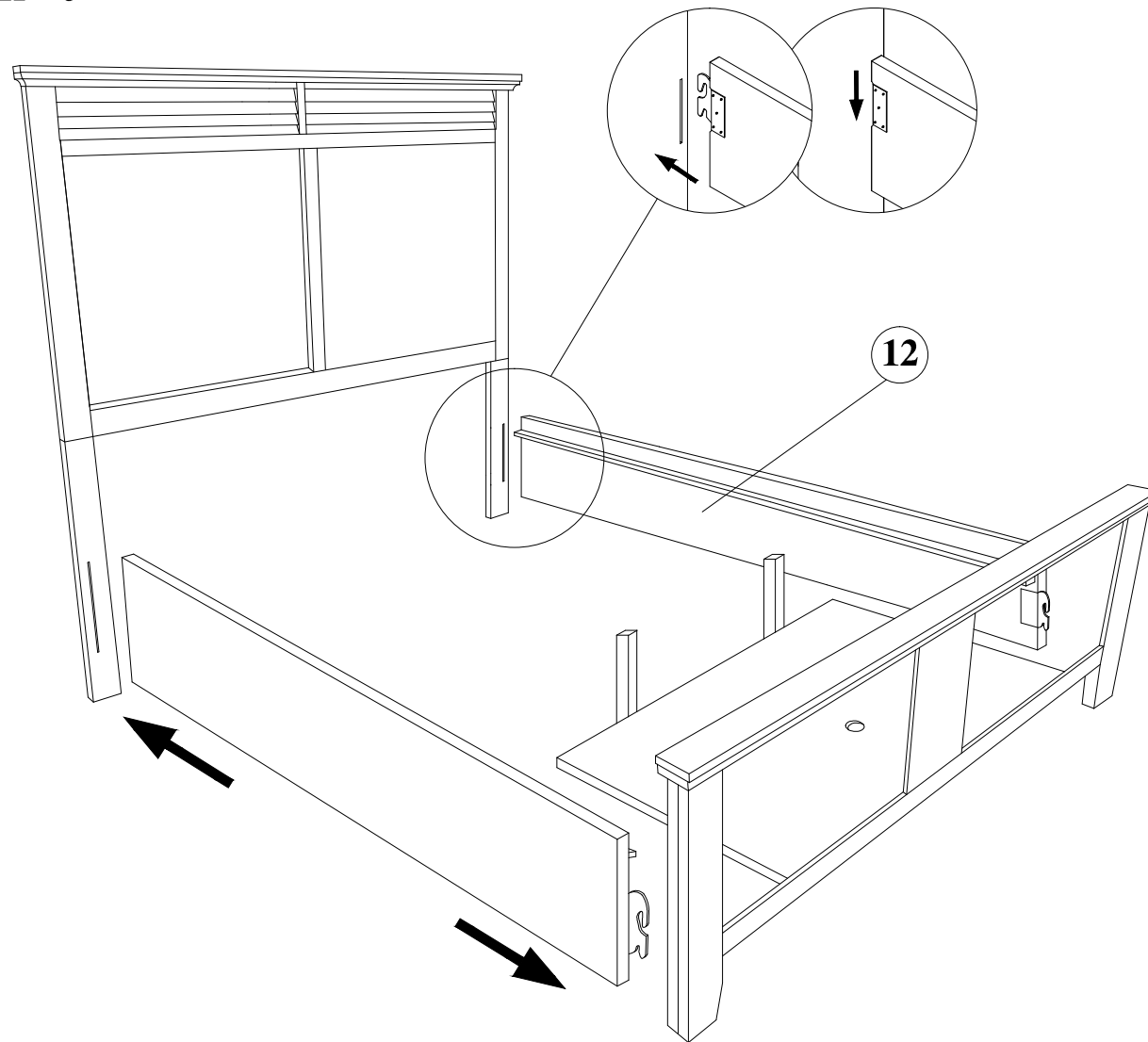
C7313-G91/Q91-XXXX - KING/QUEEN STORAGE HEADBOARD & FOOTBOARD W/14 SLATS, 3 SUPPORTS

C7313-GXZ/WFQ-2DXX - KING/QUEEN STORAGE CASE, 2 DRAWERS

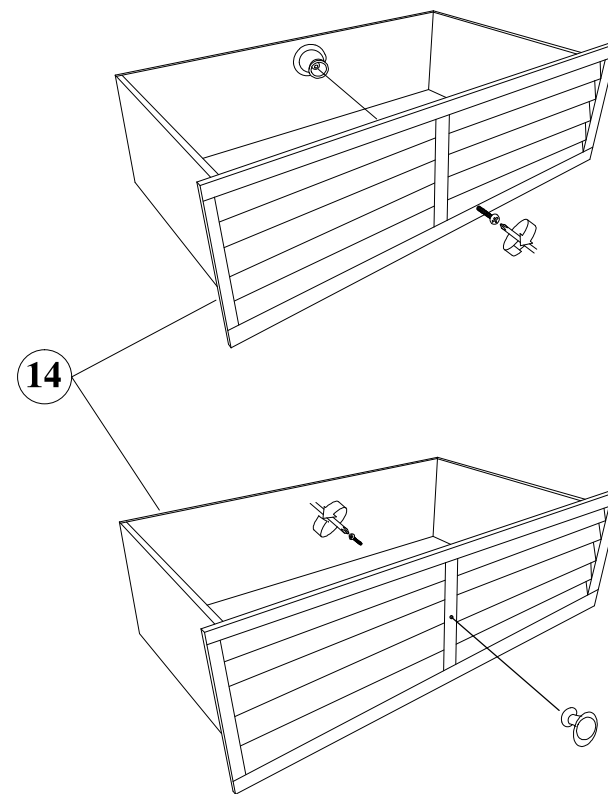
C7313-B92-XXXX - QUEEN / KING STORAGE SIDERAIL SET (2) W/CENTER RAIL (S)

Thank you for purchasing this quality product. Be sure to check all packing material carefully for small parts which may have come loose inside the carton during the shipment .

STEP - 6



STEP - 7



5 OF 8

NOTE : MUST TIGHTEN SCREWS PERIODICALY WITH USE SCREW WILL BECOME LOOSE CHECK TIGHTNES OF ALL SCREW EVERY 6-8WEEKS.

ASSEMBLY INSTRUCTIONS

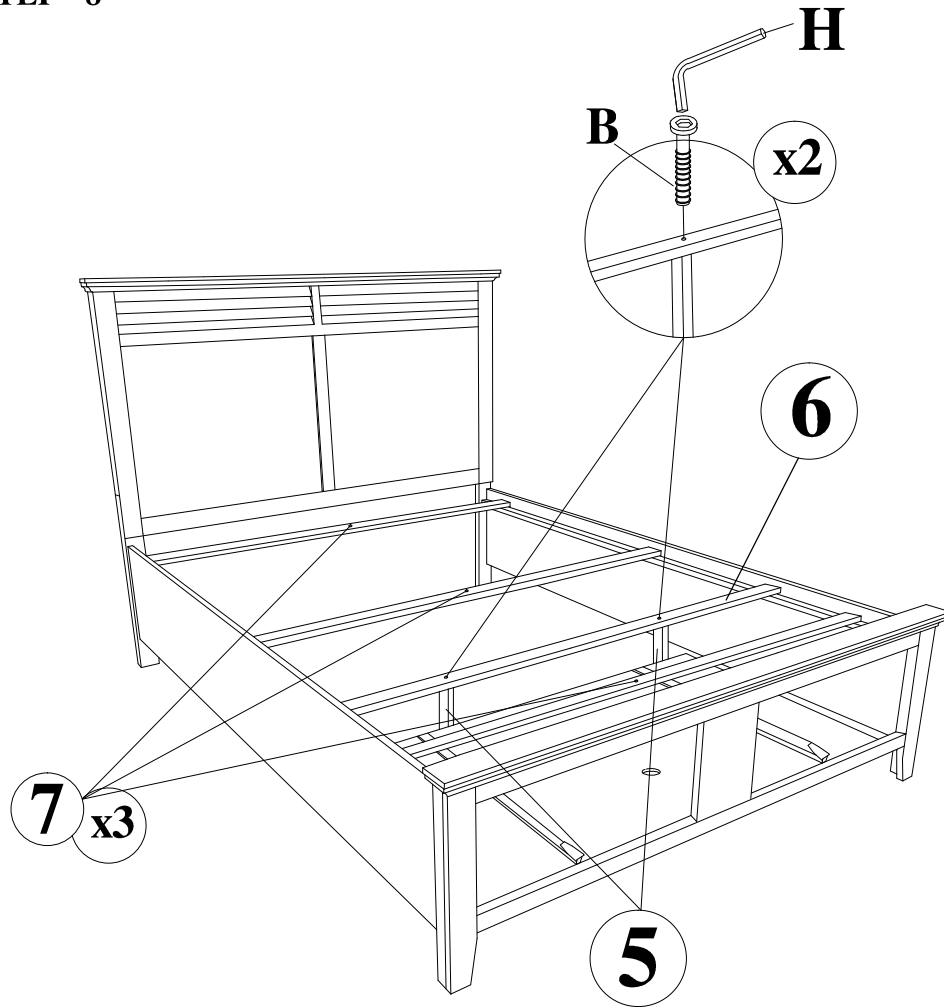
C7313-G91/Q91-XXXX - KING/QUEEN STORAGE HEADBOARD & FOOTBOARD W/14 SLATS, 3 SUPPORTS

C7313-GXZ/WFQ-2DXX - KING/QUEEN STORAGE CASE, 2 DRAWERS

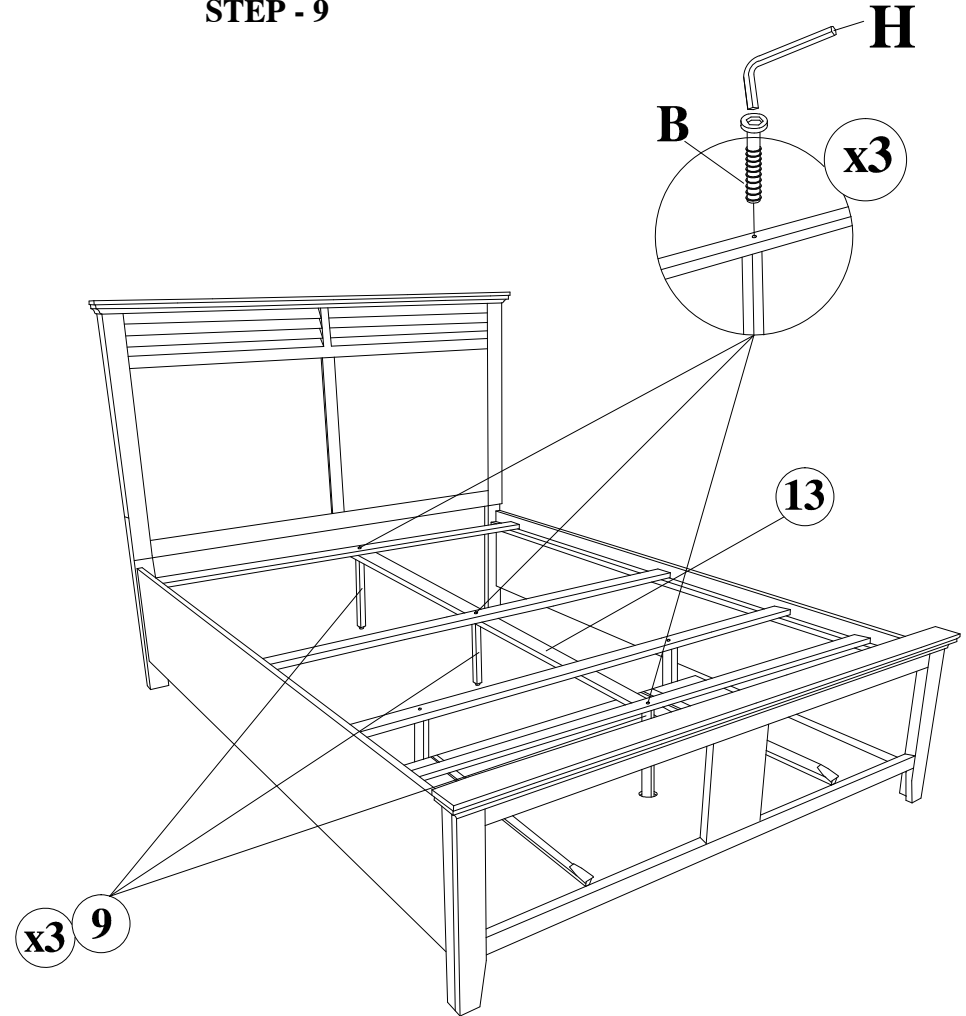
C7313-B92-XXXX - QUEEN / KING STORAGE SIDERAIL SET (2) W/CENTER RAIL (S)

Thank you for purchasing this quality product. Be sure to check all packing material carefully for small parts which may have come loose inside the carton during the shipment .

STEP - 8



STEP - 9



ASSEMBLY INSTRUCTIONS

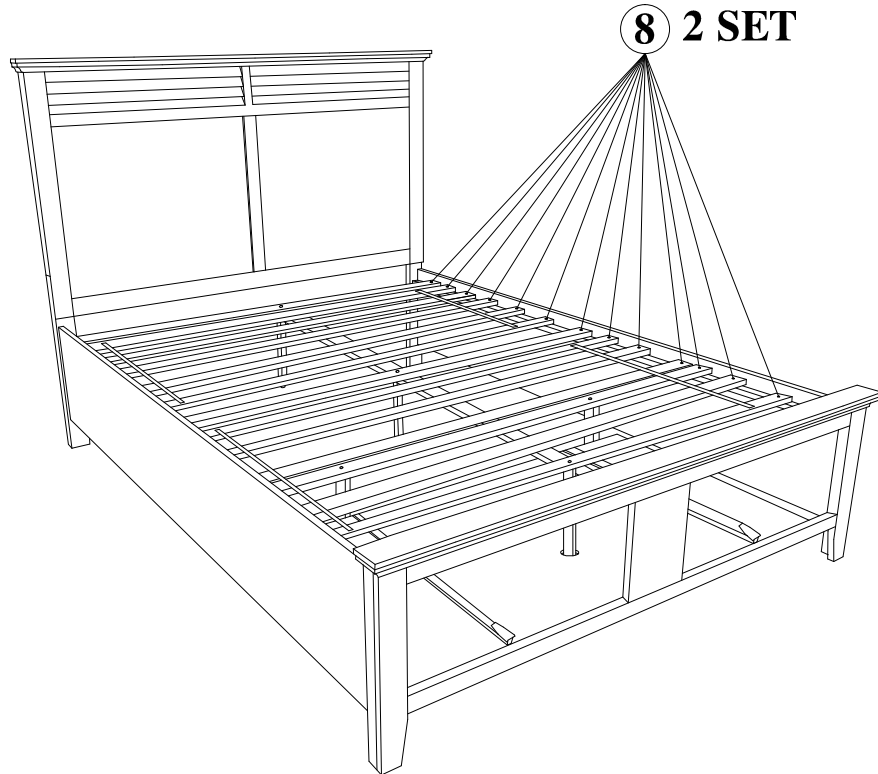
C7313-G91/Q91-XXXX - KING/QUEEN STORAGE HEADBOARD & FOOTBOARD W/14 SLATS, 3 SUPPORTS

C7313-GXZ/WFQ-2DXX - KING/QUEEN STORAGE CASE, 2 DRAWERS

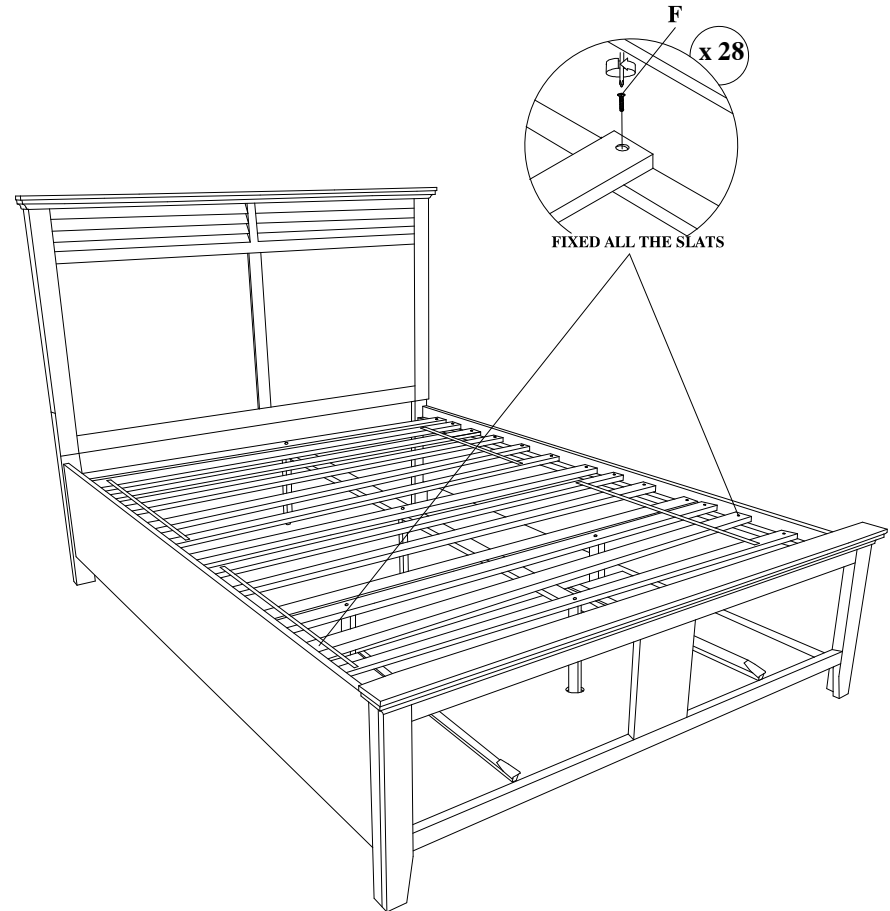
C7313-B92-XXXX - QUEEN / KING STORAGE SIDERAIL SET (2) W/CENTER RAIL (S)

Thank you for purchasing this quality product. Be sure to check all packing material carefully for small parts which may have come loose inside the carton during the shipment .

STEP - 10



STEP - 11



ASSEMBLY INSTRUCTIONS

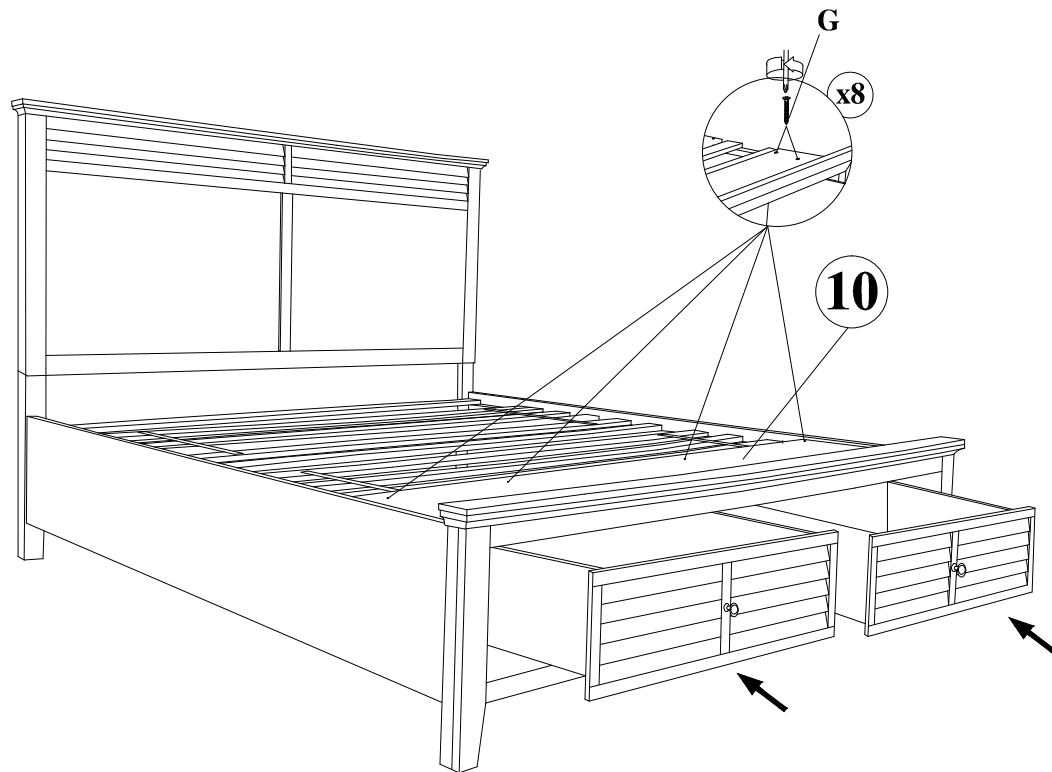
C7313-G91/Q91-XXXX - KING/QUEEN STORAGE HEADBOARD & FOOTBOARD W/14 SLATS, 3 SUPPORTS

C7313-GXZ/WFQ-2DXX - KING/QUEEN STORAGE CASE, 2 DRAWERS

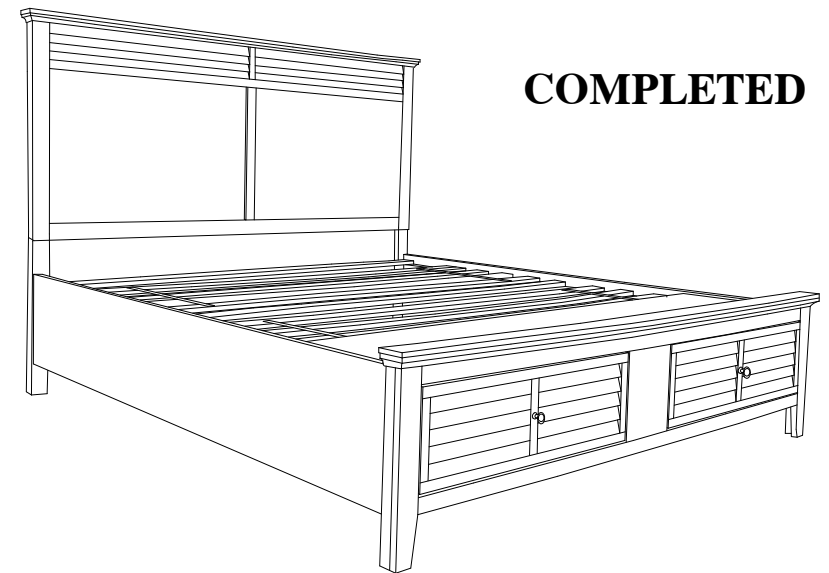
C7313-B92-XXXX - QUEEN / KING STORAGE SIDERAIL SET (2) W/CENTER RAIL (S)

Thank you for purchasing this quality product. Be sure to check all packing material carefully for small parts which may have come loose inside the carton during the shipment .

STEP - 12



STEP - 13



8 OF 8

NOTE : MUST TIGHTEN SCREWS PERIODICALY WITH USE SCREW WILL BECOME LOOSE CHECK TIGHTNES OF ALL SCREW EVERY 6-8WEEKS.

ASSEMBLY INSTRUCTIONS

C7313-GXZ-2DXX - KING STORAGE CASE, 2 DRAWERS

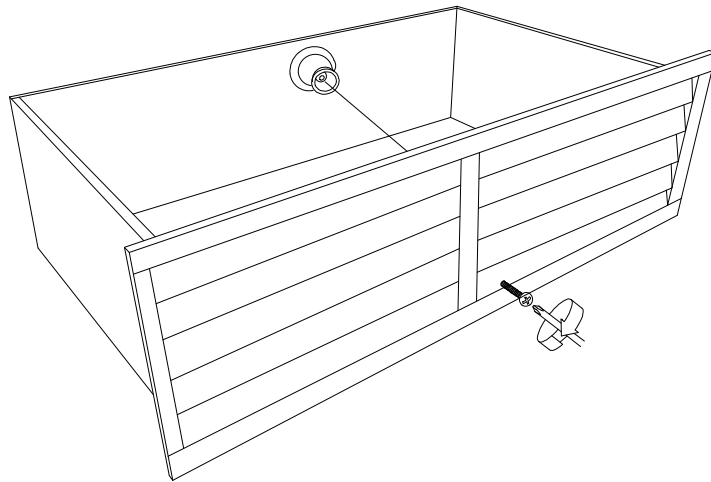
C7313-WFQ-2DXX - FULL / QUEEN STORAGE CASE, 2 DRAWERS

C7313-TXZ-1DXX - TWIN STORAGE CASE, 1 DRAWER

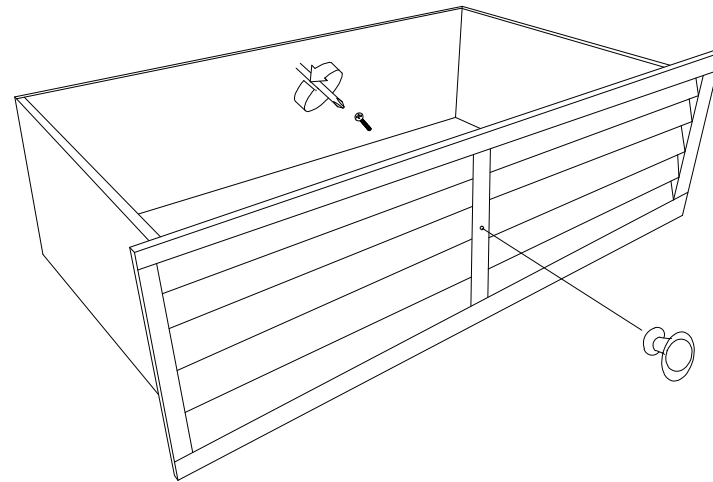
Thank you for purchasing this quality product. Be sure to check all packing material carefully for small parts which may have come loose inside the cartoon during the shipment.Count all parts and metal hardware, compare the parts list below to be sure all parts are present.

NOTE: HARDWARE AND QUANTITY SHOWN BELOW ARE FOR 1 UNIT ASSEMBLY

**NOTE : KNOB ASSEMBLY INSTRUCTION FOR KING, QUEEN, FULL & TWIN STORAGE DRAWERS **



STEP 1







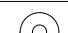
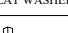
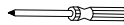
STEP 2

NOTE : MUST TIGHTEN SCREWS PERIODICALY WITH USE SCREW WILL BECOME LOOSE CHECK TIGHTNES OF ALL SCREW EVERY 6-8WEEKS.

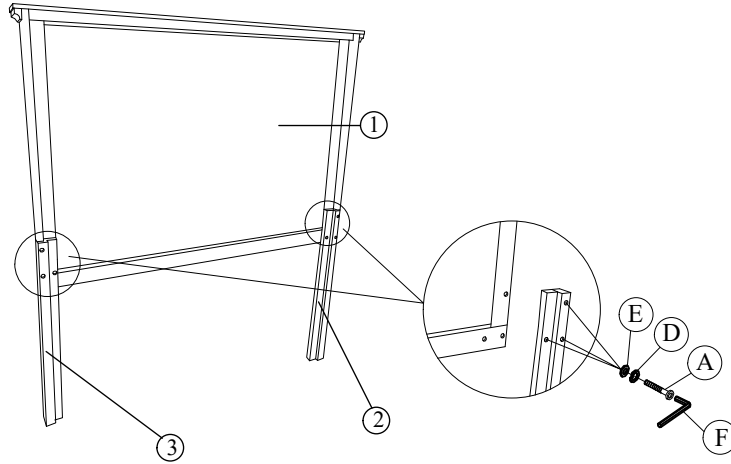
ASSEMBLY INSTRUCTIONS

C7313-G49-XXXX KING HEADBOARD / FOOTBOARD W/ 4 SLATS, 8 SUPPORT
C7313-BXN-XXXX QUEEN / KING SIDE RAIL

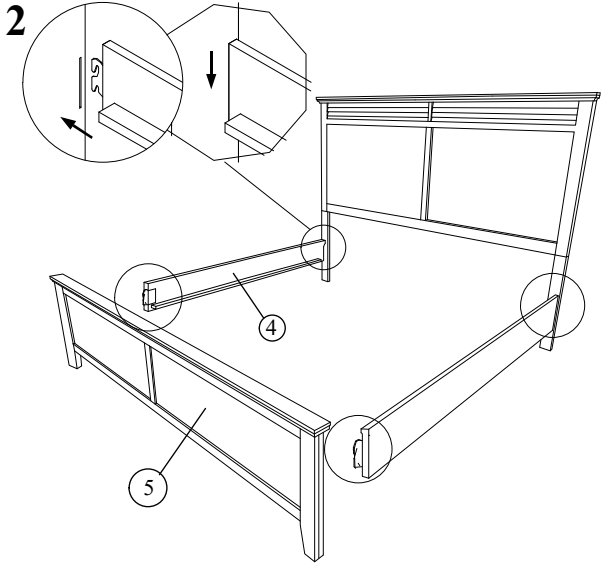
Thank you for purchasing this quality product. Be sure to check all packing material carefully for small parts which may have come loose inside the carton during the shipment .

HARDWARE		
CODE	DESCRIPTION	QTY
A	 M6 x 35MM JCBC BOLT	6X
B	 M6 x 45MM JCBC BOLT	8X
C	 CHIPBOARD SCREW M4 x 30	8X
D	 M6 x 13 SPRING WASHER	6X
E	 M6 x 13 FLAT WASHER	6X
F	 M4 x 60 ALLEN KEY	1X
		

STEP 1

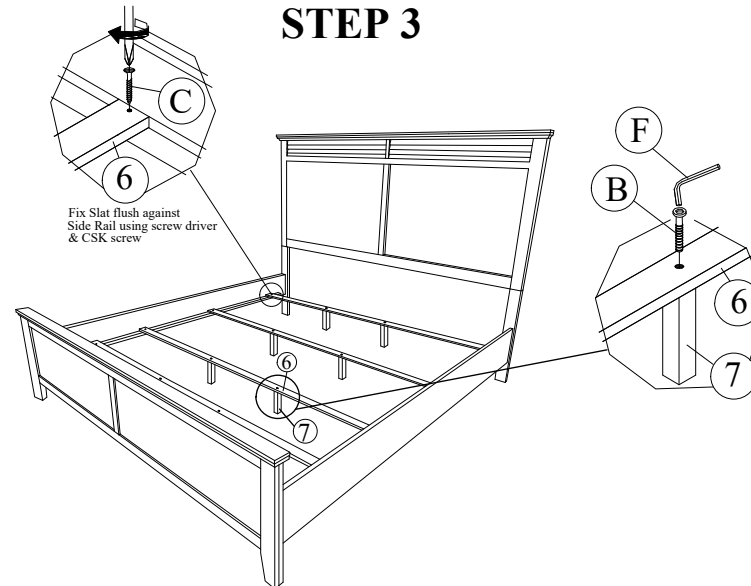


STEP 2



PART LIST		
NO	DESCRIPTION	QTY
1	HEADBOARD	1 PC
2	H-B LEG - R	1 PC
3	H-B LEG - L	1 PC
4	SIDE RAIL	2 PCS
5	FOOTBOARD	1 PC
6	WOODEN SLAT	4 PCS
7	SUPPORT SLAT	8 PCS

STEP 3






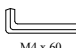


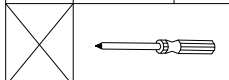
ASSEMBLY INSTRUCTIONS

C7313-Q48-XXXX QUEEN HEADBOARD / FOOTBOARD W/ 4 SLATS, 4 SUPPORT
C7313-BXN-XXXX QUEEN / KING SIDE RAIL

Thank you for purchasing this quality product. Be sure to check all packing material carefully for small parts which may have come loose inside the carton during the shipment .

HARDWARE

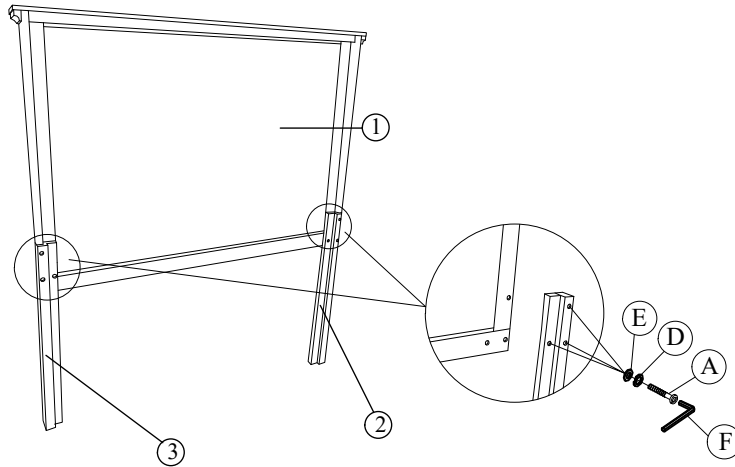
CODE	DESCRIPTION	QTY
A	 M6 x35MM JCBC BOLT	6X
B	 M6 x 45MM JCBC BOLT	4X
C	 CHIPBOARD SCREW M4 x 30	8X
D	 M6 x 13 SPRING WASHER	6X
E	 M6 x 13 FLAT WASHER	6X
F	 M4 x 60 ALLEN KEY	1X



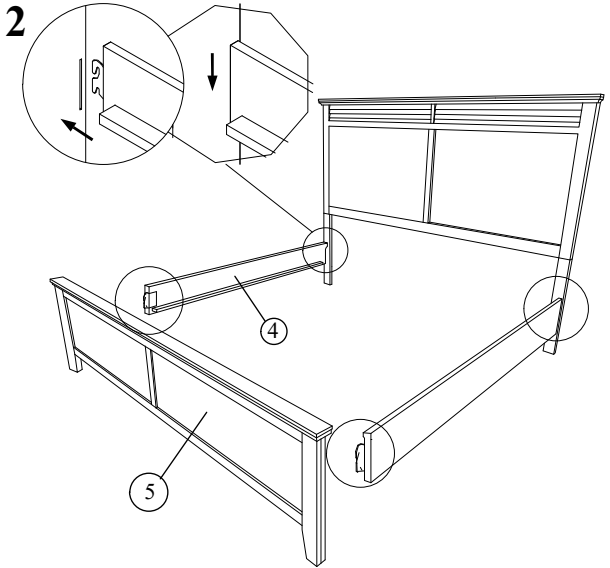
PART LIST

NO	DESCRIPTION	QTY
1	HEADBOARD	1 PC
2	H-B LEG - R	1 PC
3	H-B LEG - L	1 PC
4	SIDE RAIL	2 PCS
5	FOOTBOARD	1 PC
6	WOODEN SLAT	4 PCS
7	SUPPORT SLAT	4 PCS

STEP 1



STEP 2



STEP 3

