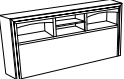
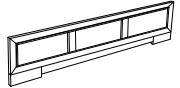
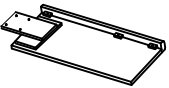
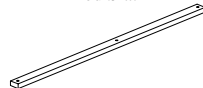
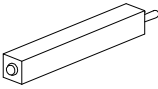


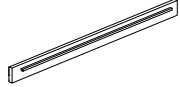
ASSEMBLY INSTRUCTIONS

MODEL : C4233A
QUEEN BOOKCASE BED
(BOX 1)

BOX OF HEADBOARD & FOOTBOARD

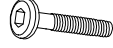




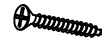
NO	ITEM	QTY
A	Headboard 	1 PC
B	Footboard 	1 PC
C	Headboard Leg (L/R) 	2 PCS
D	Bed Slat 	4 PCS
E	Bed Slat Support 	4 PCS

(BOX 2)
 BOX OF SIDE RAIL

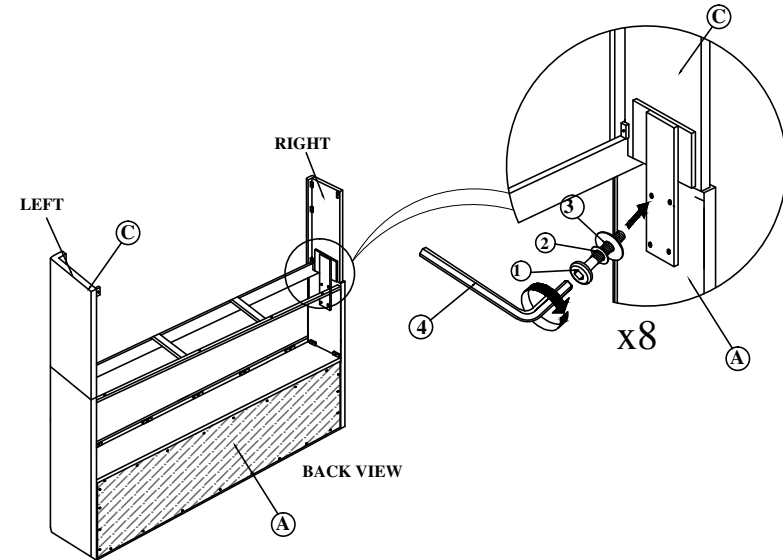
NO	ITEM	QTY
F	Side Rail 	2 PCS

(BOX 1)

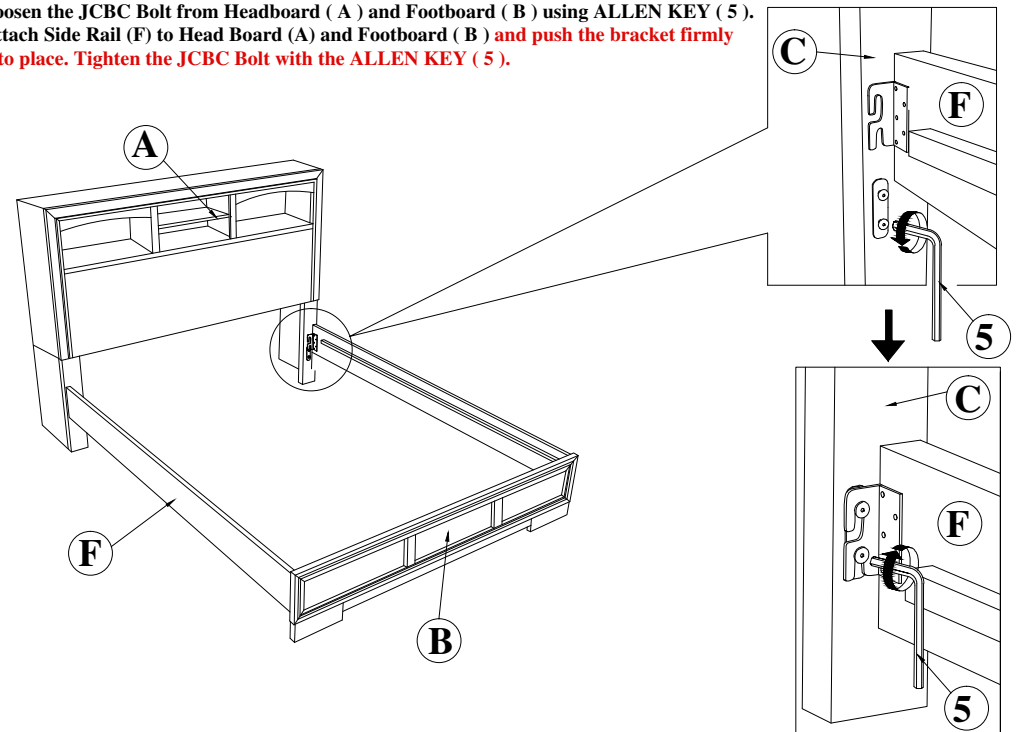
HARDWARE LIST

NO	ITEM	QTY
1	JCBC BOLT M6 x 35MM 	8 PCS
2	SPRING WASHER 1/4" RBW 	8 PCS
3	FLAT WASHER 1/4"IDX19MMOD BLK 	8 PCS
4	ALLEN KEY M4 x 65MM 	1 PC
5	ALLEN KEY M5 x 65mm 	1 PC
6	CSK SCREW M4 x 32MM 	8 PCS

STEP 1 : Attach Head Board Leg (C) to Head Board (A) as shown using JCBC BOLT (1) with Spring Washer (2), Flat washer (3) and securing with ALLEN KEY (4).



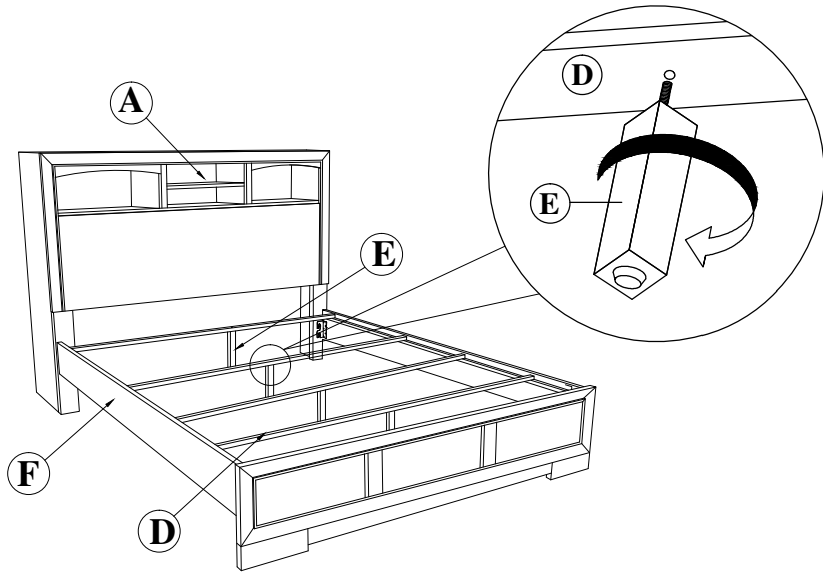
STEP 2 : Loosen the JCBC Bolt from Headboard (A) and Footboard (B) using ALLEN KEY (5). Attach Side Rail (F) to Head Board (A) and Footboard (B) and push the bracket firmly into place. Tighten the JCBC Bolt with the ALLEN KEY (5).



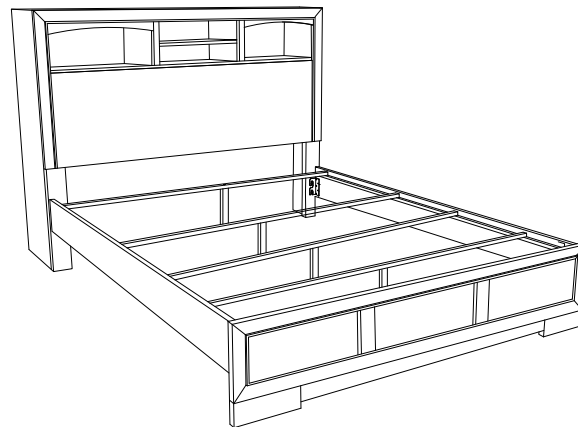
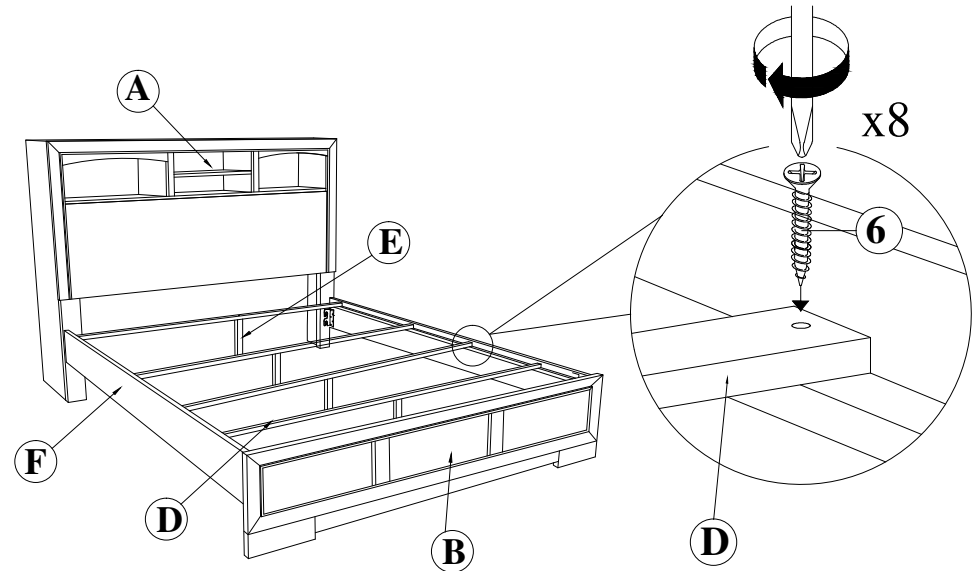
NOTE : MUST TIGHTEN SCREWS PERIODICALLY. SCREWS NATURALLY LOOSEN WITH USE. CHECK TIGHTNESS OF ALL SCREWS EVERY 6-8 WEEKS.

ASSEMBLY INSTRUCTIONS

STEP 3 : Fix the Bed Slat Support (E) to the Bed Slat (D) as shown.



STEP 4 : Fix Slat (D) flush against Side Rail (F) using CSK screw (6) as shown.



COMPLETED ASSEMBLY