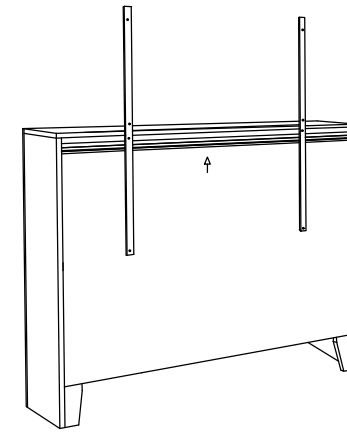
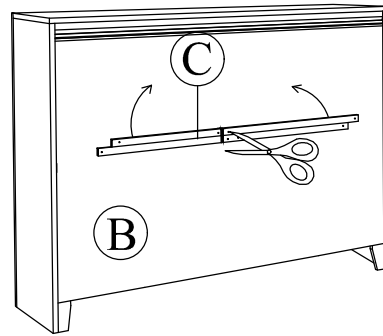


# ASSEMBLY INSTRUCTIONS

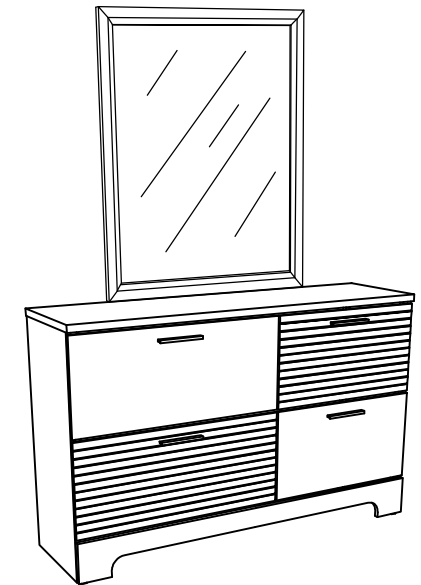
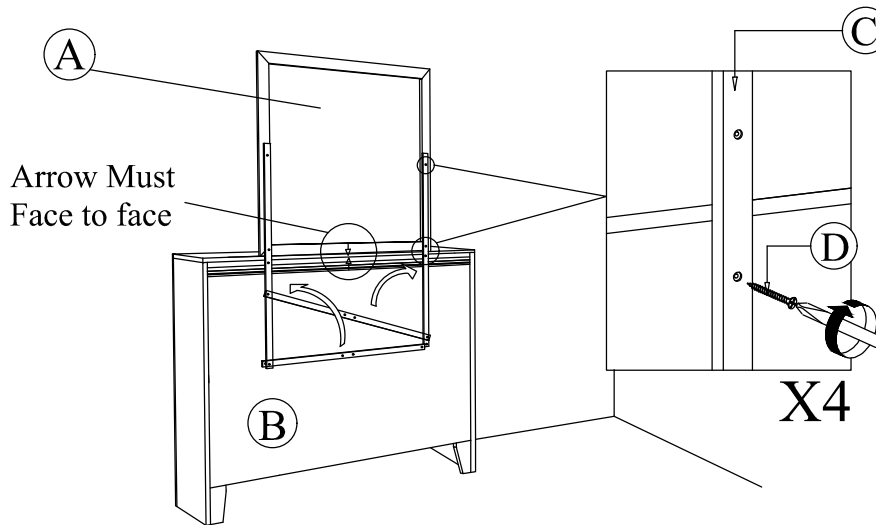
**MODEL : C3333A / C4333A  
DRESSER & MIRROR**

**STEP 1 : Cut off the raffia string from the back of Dresser ( B ) and turn the Mirror Support ( C ) upward at the back of dresser ( B ),**

NO	PART LIST	QTY
A	MIRROR FRAME 	1 PC
B	DRESSER 	1 PC
C	MIRROR SUPPORT RAIL 	2 PCS
NO	HARDWARE LIST	QTY
D	CSK SCREW M4 X 32MM 	6 PCS



**STEP 2 : Place the Mirror ( A ) on the top of Dresser ( B ) as shown. And tighten with CSK Screw ( D )**



**ASSEMBLY COMPLETE!!**

**NOTE : MUST TIGHTEN SCREWS PERIODCALLY WITH USE SCREW WILL BECOME LOOSE CHECK TIGHTNESS OF ALL SCREW EVERY 6-8 WEEKS.**