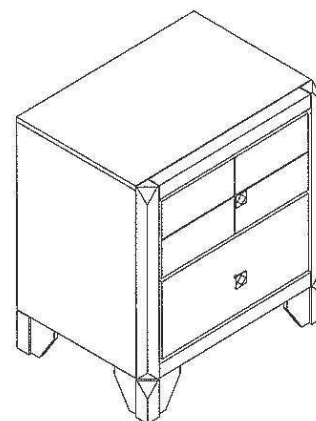


ASSEMBLY INSTRUCTIONS

ITEM NO : C2180A-020-2DC0
DESCRIPTION : NIGHT STAND

Place all wood parts on a clean and smooth surface to keep them from being scratched.

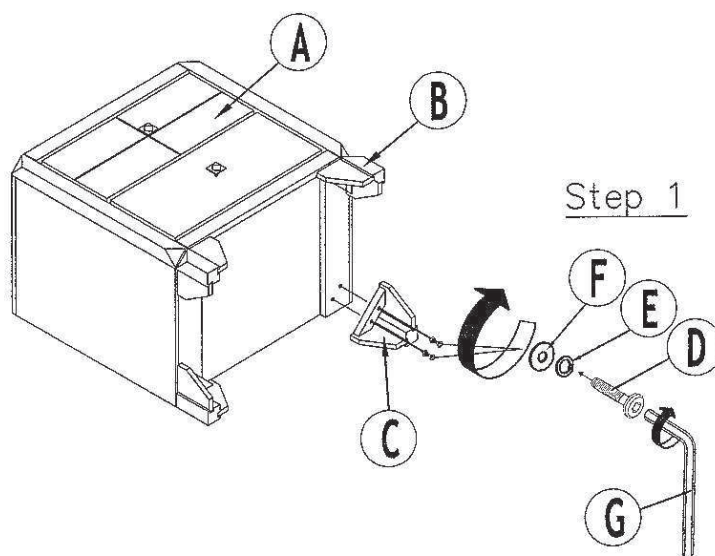
| ITEM | DRAWING | DESCRIPTION | QTY |
|------|---------|------------------|-----|
| A | | NIGHT STAND | 1 |
| B | | FRONT LEG | 2 |
| C | | BACK LEG (L/R) | 2 |
| D | | JCBC M6 x 35mm | 8 |
| E | | SPRING WASHER M8 | 8 |
| F | | FLAT WASHER M8 | 8 |
| G | | ALLEN KEY M4 | 1 |



COMPLETED NIGHT STAND & LEG ASSEMBLY

STEP 1

Attach & tighten the Leg to the Night stand and fasten using JCBC screws(D) ringed with a Spring Washer(E) and Flat Washer(F) as shown.



Step 1

NOTE: SCREWS LOOSEN WITH USE.
CHECK FOR LOOSE SCREWS AND TIGHTEN EVERY 6-8 WEEKS

CLEANING INSTRUCTIONS:

If necessary, clean & polish all surfaces after assembly with a soft cloth and industrial furniture polish.

MADE IN MALAYSIA