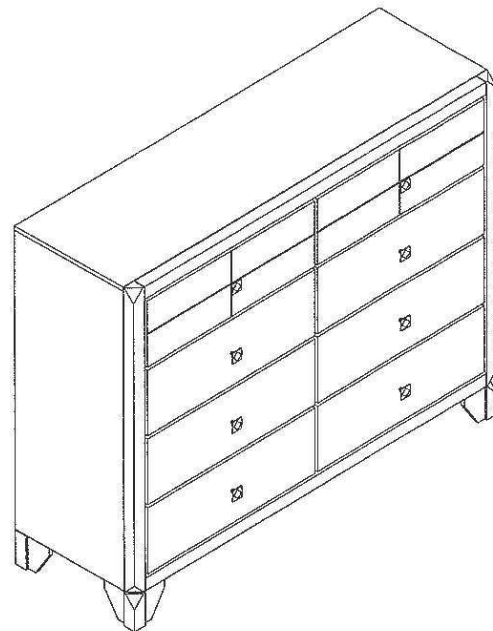


# ASSEMBLY INSTRUCTIONS

ITEM NO : C2180A-040-8DCO  
DESCRIPTION : DRESSER

Place all wood parts on a clean and smooth surface to keep them from being scratched.

ITEM	DRAWING	DESCRIPTION	QTY
A		DRESSER	1
B		FRONT LEG	2
C		BACK LEG (L/R)	2
D		CENTER LEG	1
E		JCBC M6 x 35mm	8
F		SPRING WASHER M8	8
G		FLAT WASHER M8	8
H		ALLEN KEY M4	1



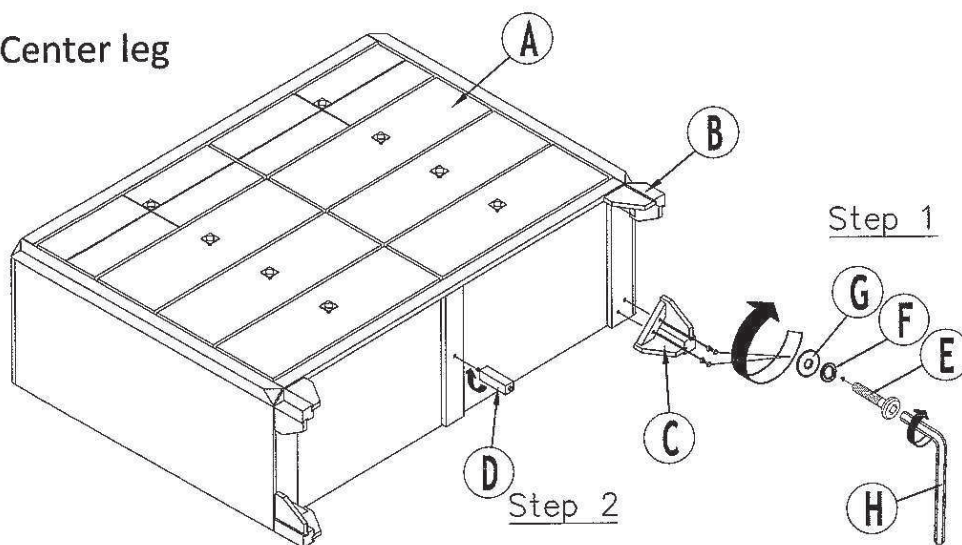
COMPLETED DRESSER & LEG ASSEMBLY

## STEP 1

Attach & tighten the Leg to the Dresser and fasten using JCBC screws(E) ringed with a Spring Washer(F) and Flat Washer(G) as shown.

## STEP 2

Tighten the Center leg



NOTE: SCREWS LOOSEN WITH USE.  
CHECK FOR LOOSE SCREWS AND TIGHTEN EVERY 6-8 WEEKS

## CLEANING INSTRUCTIONS:

If necessary, clean & polish all surfaces after assembly with a soft cloth and industrial furniture polish.

MADE IN MALAYSIA