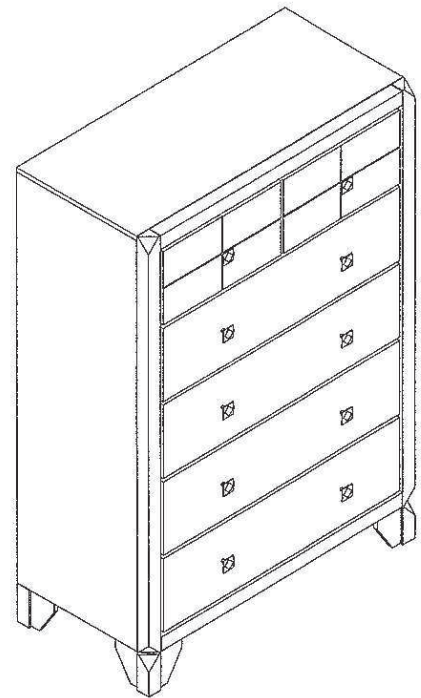


ASSEMBLY INSTRUCTIONS

ITEM NO : C2180A-030-5DCO
DESCRIPTION : CHEST

Place all wood parts on a clean and smooth surface to keep them from being scratched.

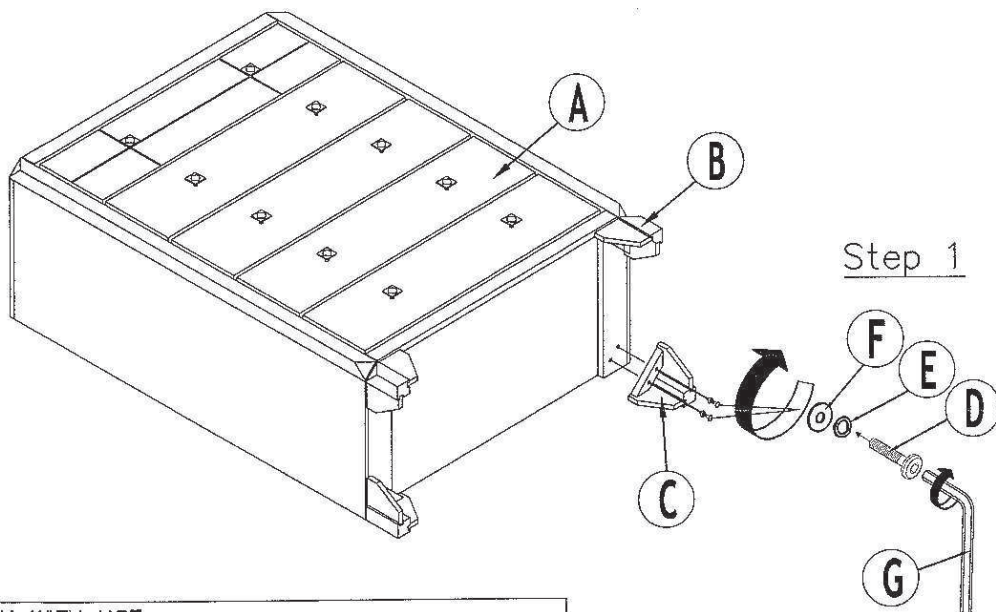
ITEM	DRAWING	DESCRIPTION	QTY
A		CHEST	1
B		FRONT LEG	2
C		BACK LEG (L/R)	2
D		JCBC M6 x 35mm	8
E		SPRING WASHER M8	8
F		FLAT WASHER M8	8
G		ALLEN KEY M4	1



COMPLETED CHEST & LEG ASSEMBLY

STEP 1

Attach & tighten the Leg to the Chest and fasten using JCBC screws(D) ringed with a Spring Washer(E) and Flat Washer(F) as shown.



Step 1

NOTE: SCREWS LOOSEN WITH USE.
CHECK FOR LOOSE SCREWS AND TIGHTEN EVERY 6-8 WEEKS

CLEANING INSTRUCTIONS:

If necessary, clean & polish all surfaces after assembly with a soft cloth and industrial furniture polish.

MADE IN MALAYSIA