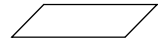
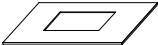

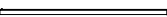


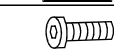
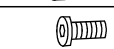
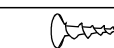



ITEM NO:C1866P PUB TABLE

NO.	QTY	DRAWING	DESCRIPTION
A	1		GLASS TOP
B	1		TABLE TOP
C	2		END LEG
D	2		STRETCHER
E	2		SHELF
F	1		VERTICAL PANEL
G	16		1/4X12mm
H	4		1/4X20mm
I	12		4x25mm
J	1		4mm/ALLENKEY

Note:

Pls do not tighten all bolts until the parts are assembled completely. Once assembled, tighten all bolts .

Note: Pls ne pas serrer tous les boulons jusqu'à ce que la partie est assemblé completely. Once assemblé, serrer tous les boulons avant de fixer la table.

