
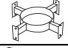








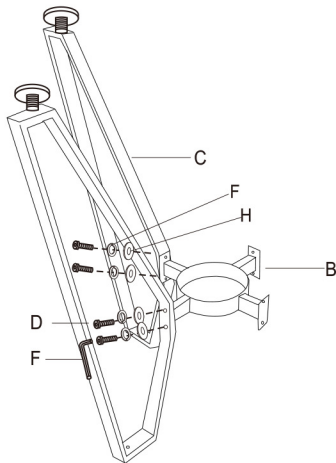
ITEM NO:C1860D DINING TABLE

NO.	QTY	DRAWING	DESCRIPTION
A	1		TABLE TOP
B	1		STRETCHER
C	4		LEG
D	8		1/4X12mm
E	4		1/4X20mm
F	8		SPRING WASHING
H	8		FLAT WALEN
I	1		4mm/ALLENKEY

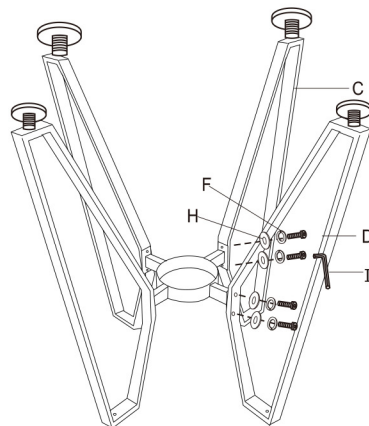
Note:Pls do not tighten all bolts until the table is assembled completely.Once assembled,tighten all bolts before attaching the table.

Note: Pls ne pas serrer tous les boulons jusqu'à ce que la table est assemblé completely.Once assemblé, serrer tous les boulons avant de fixer la table.

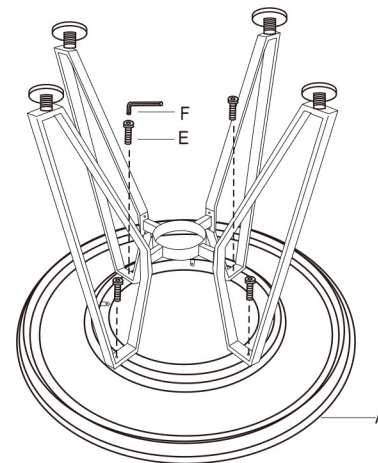
Step1



Step2



Step3



Step4



TO TOUCH HIT FOR LOUE