






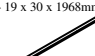


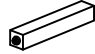



ASSEMBLY INSTRUCTIONS

MODEL : C0172 A - LIFESTYLE KING STORAGE BED




(BOX 1)

BOX OF HEADBOARD & FOOTBOARD

NO	ITEM	QTY
A	Headboard 	1 PC
B	Footboard 	1 PC
C	Headboard Leg (L/R) 	2 PCS
D	Triangle Support Panel -9 x 200 x 200 	2 PCS
E	Bed Slat 	14 PCS
F	F/Board Drawer Frame 	1 PC
G	Crossrail - 18 x 45 x 1929mm 	3 PCS
H	H/board Back Support - 19 x 30 x 1968mm 	1 PC
I	Drawer Suppt. Rail - 1 	1 PC
J	Drawer Suppt. Rail - 2 	4 PCS
K	Support Leg 1 - 30 x 30 x 500mm 	3 PCS
L	Support Leg 2 - 30 x 30 x 95mm 	1 PC


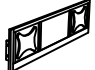
(BOX 1)

BOX OF HEADBOARD & FOOTBOARD

NO	ITEM	QTY
M	Support Leg 3 - 30 x 30 x 107mm 	1 PC
N	H/board Back Support -11 18x45x1968 	1 PC
O	Concealed Panel Slat 	1 PC

(BOX 2)

BOX OF SIDERAIL

NO	ITEM	QTY
P	Slat Center Rail 	1 PC
Q	Side Rail 	2 PCS






(BOX 1)

HARDWARE LIST

NO	ITEM	QTY
1	FLAT HEAD CHIPBOARD SCREW m4 x 32mm RBW 	43 PCS
2	PAN HEAD CHIPBOARD SCREW m3.5 x 16mm BLK 	20 PCS
3	JCBC BOLT M6 x 35MM BLK 	19 PCS
4	JCBC BOLT M6 x 50MM BLK 	6 PCS
5	SPRING WASHER 1/4" RBW 	21 PCS
6	FLAT WASHER 1/4" ID x 13mmOD BLK 	21 PCS
7	ALLEN KEY m4 x 110mm BLK 	1 PC

(BOX 3 & 4)

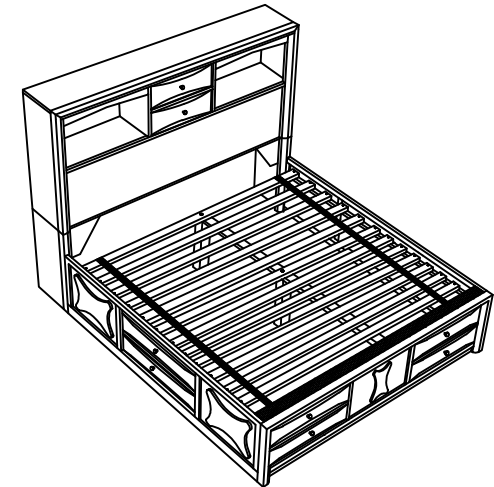
BOX OF PART & HARDWARE

NO	ITEM	QTY
R	Drawer - 1 	4 PCS
S	Drawer - 2 	2 PCS
8	HANDLE 	8 PCS
9	T/HEAD M. SCREW HANDLE M4 x 50MM BLK 	4 PCS
10	T/HEAD M. SCREW HANDLE M4 x 55MM BLK 	4 PCS

REMARK!!!

* DRAWER 1 (P) & 2 (Q) ARE IDENTICAL AND COULD BE USED IN COMMON, REGARDLESS LEFT OR RIGHT.

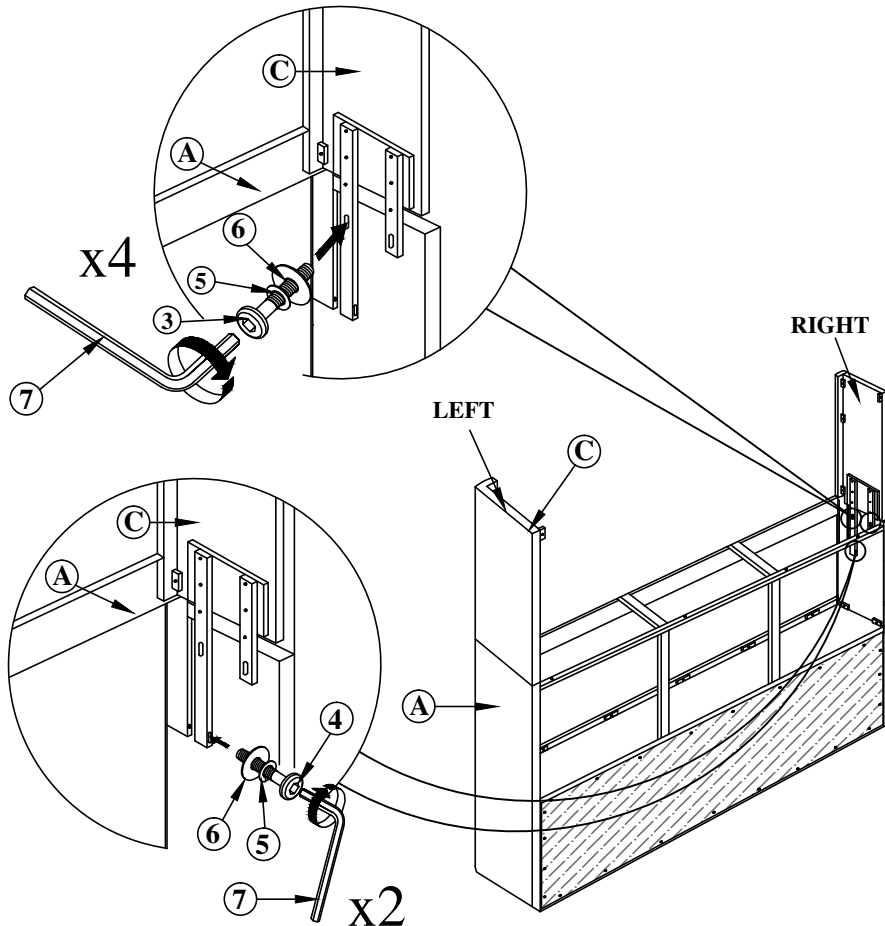
NOTE : DURING ASSEMBLY, DO NOT TIGHTEN ANY HARDWARE UNTIL THE COMPLETE UNIT HAS BEEN ASSEMBLED.



NOTE : DURING ASSEMBLY, DO NOT TIGHTEN ANY HARDWARE UNTIL THE COMPLETE UNIT HAS BEEN ASSEMBLED.

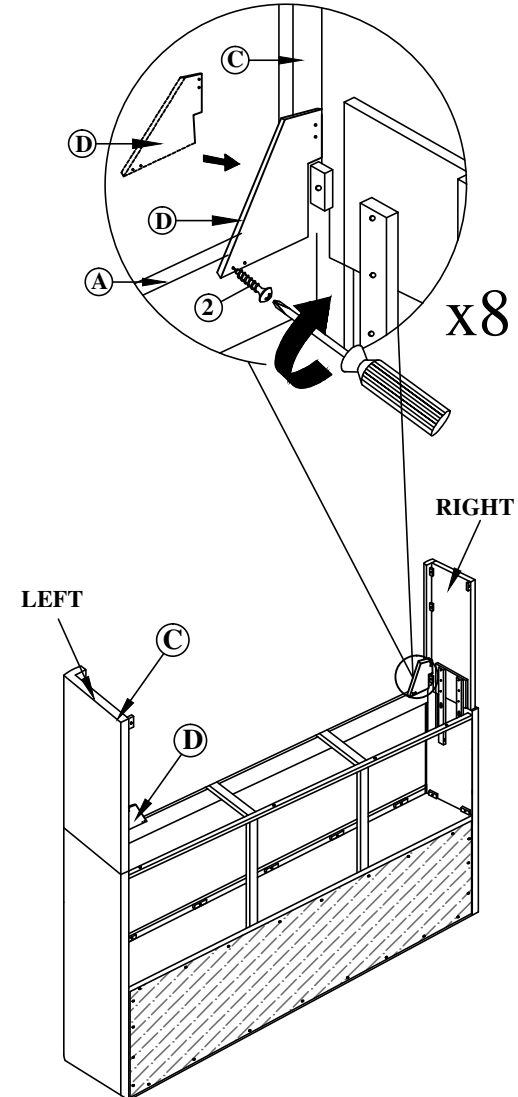
ASSEMBLY INSTRUCTIONS

STEP 1 : Attached and tighten the Headboard Leg L/R (C) to the Headboard (A).Insert Spring Washer (5) Flat Washer (6),use JCBC Bolt (3) to fix with Allen Key (7).



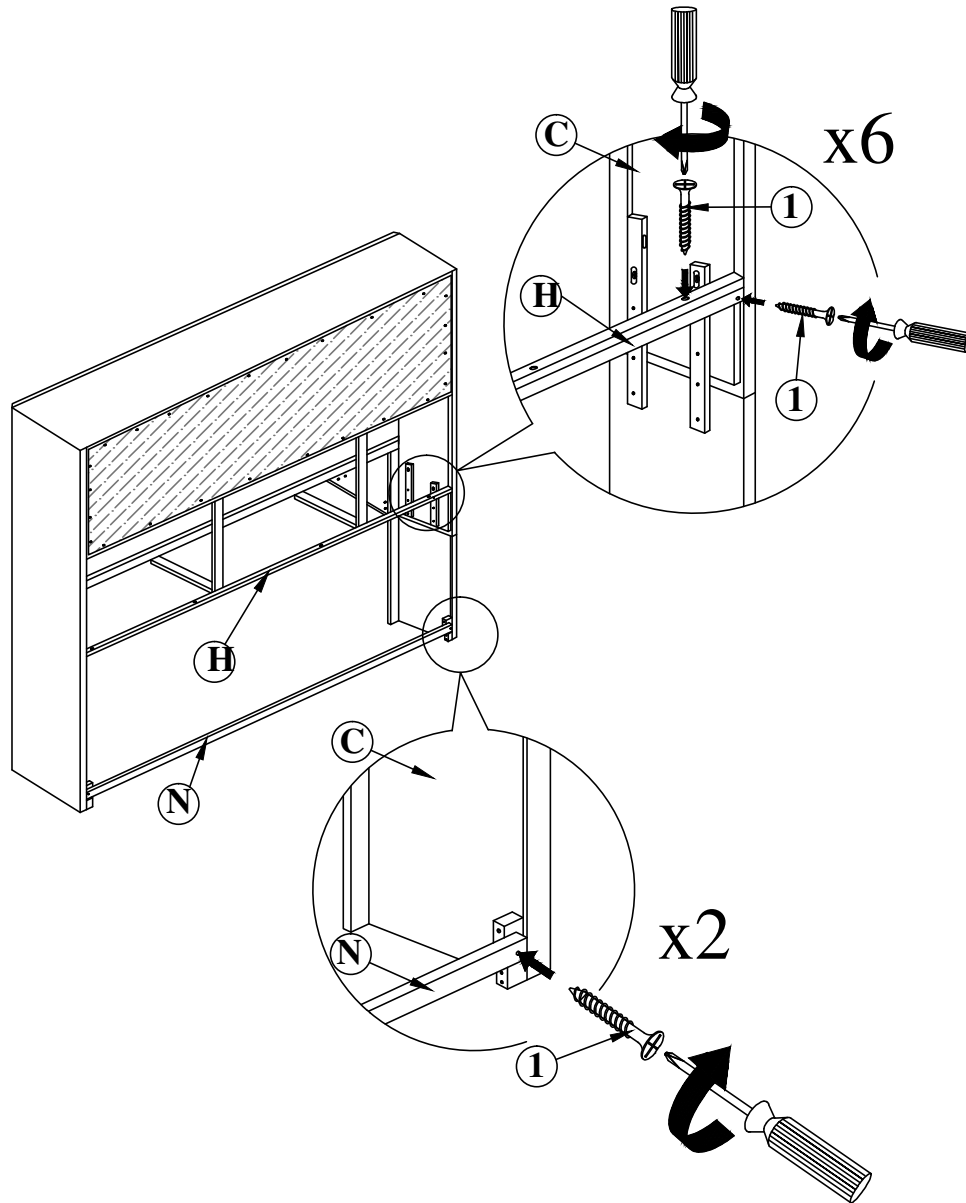
STEP 2 : Attached and tighten the Headboard Leg L/R (C) to the Headboard (A).Insert Spring Washer (5) Flat Washer (6),use JCBC Bolt (4) to fix with Allen Key (7).

STEP 3 : Attached and tighten the Triangle Support Panel (D) to the Headboard and fix the Panhead Screw (2) using Screw Driver.(Not Included)

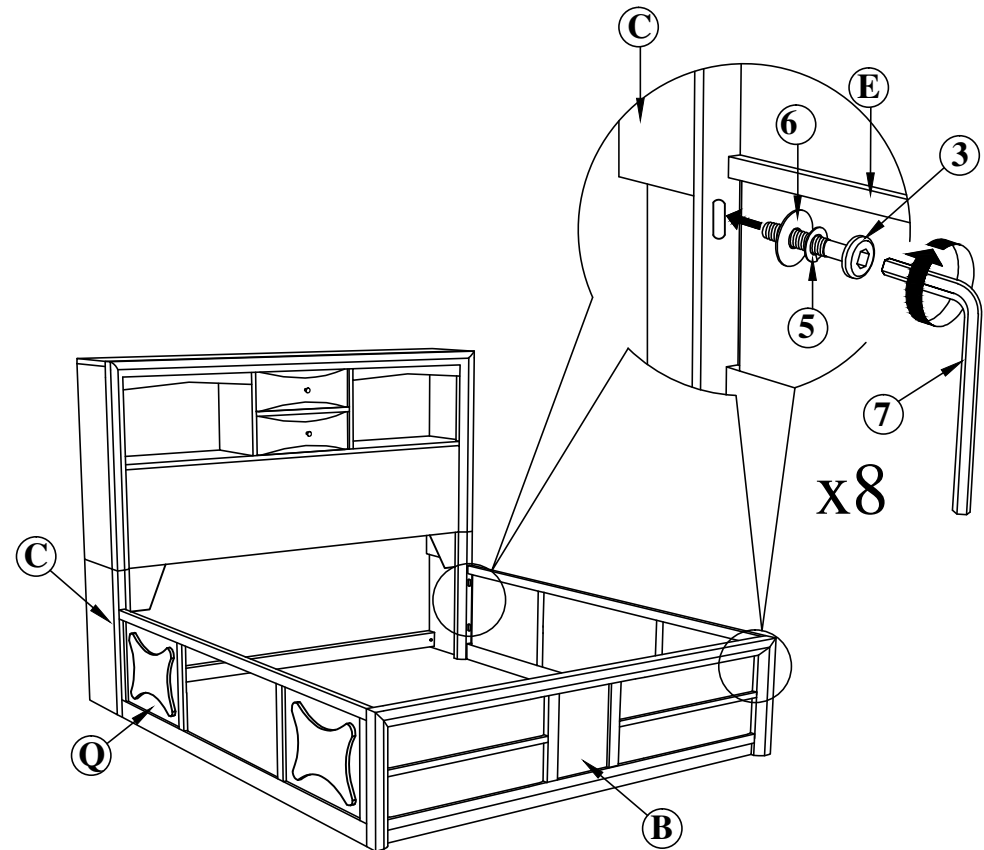


ASSEMBLY INSTRUCTIONS

STEP 4 : Attach Headboard Back Support (H) and (N) follow the picture. Fix the CSK Screw (1) using a Screw Driver. (Not Included)

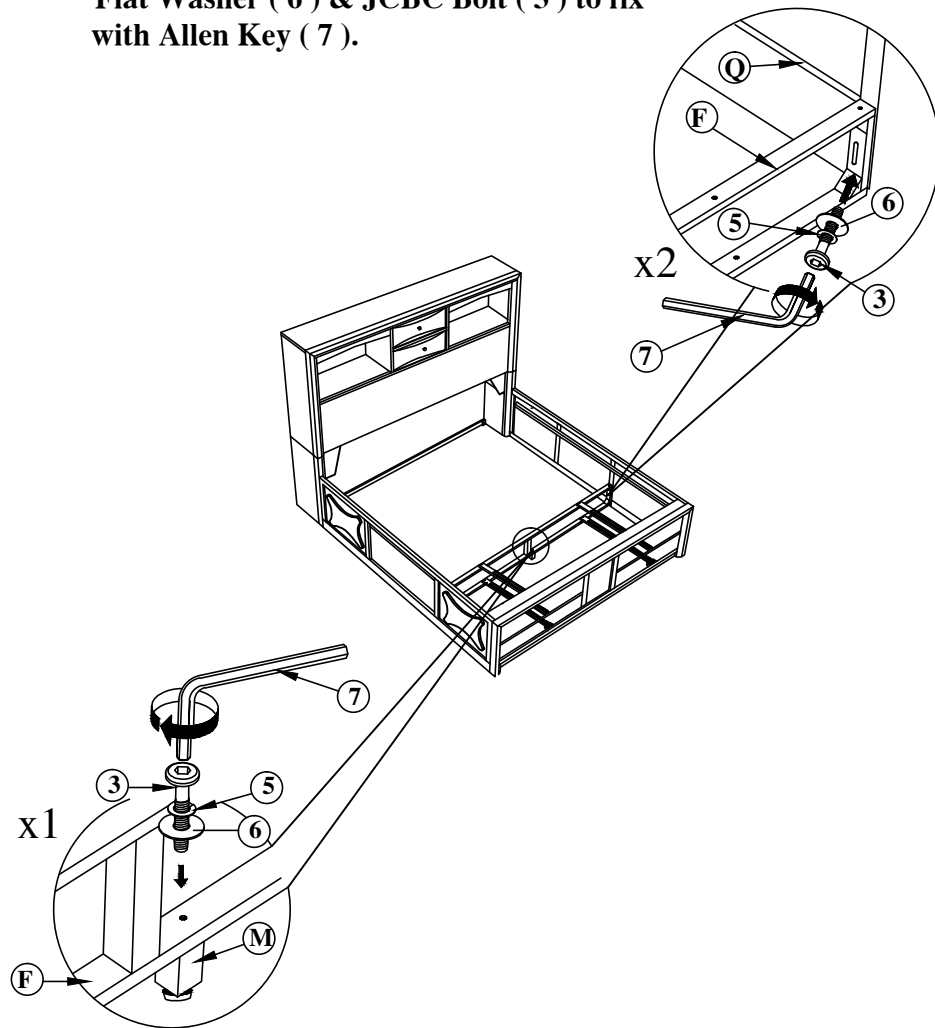


STEP 5 : Attach the Side Rail (Q) to the Headboard Leg (C) and Footboard (B). Insert Spring Washer (5), Flat Washer (6), use JCBC Bolt (3) to fix with Allen Key (7).



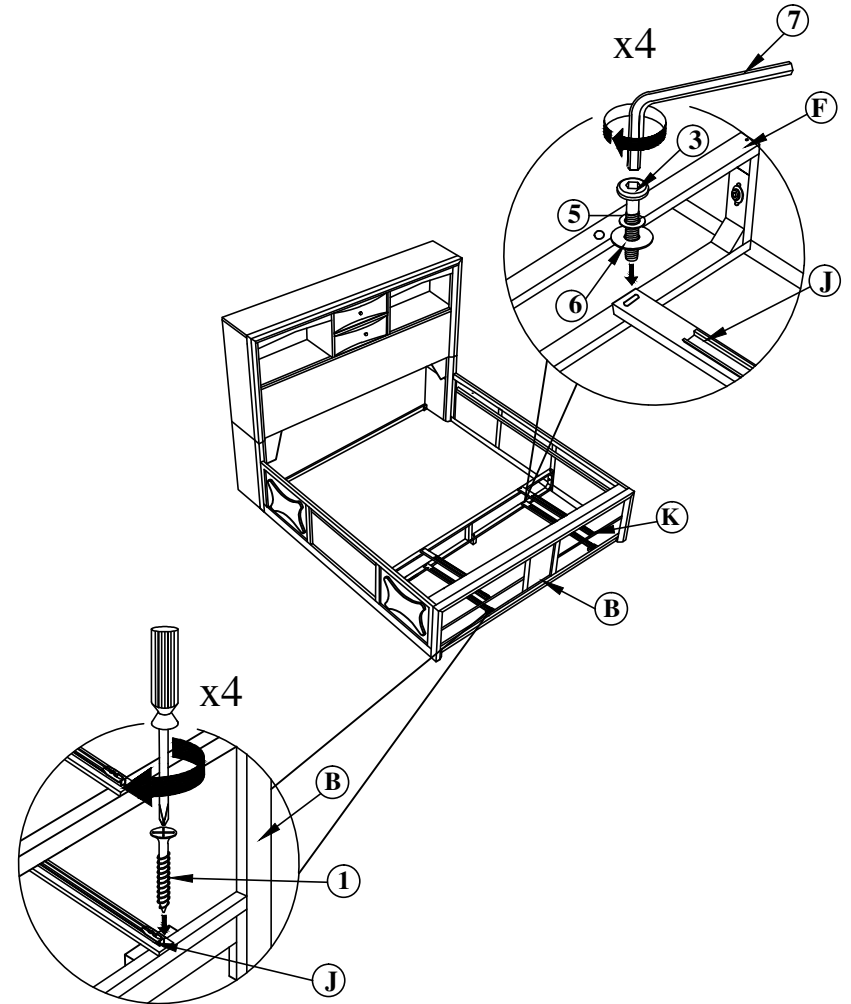
ASSEMBLY INSTRUCTIONS

STEP 6 : Attach the Footboard Drawer Frame (F) to the Side Rail (Q). Insert Spring Washer (5), Flat Washer (6) & JCBC Bolt (3) to fix with Allen Key (7).



STEP 7 : Attach Support Leg 3 (M) to the Footboard Drawer Frame (F). Insert Spring Washer (5), Flat Washer (6) & JCBC Bolt (3) to fix with Allen Key (7).

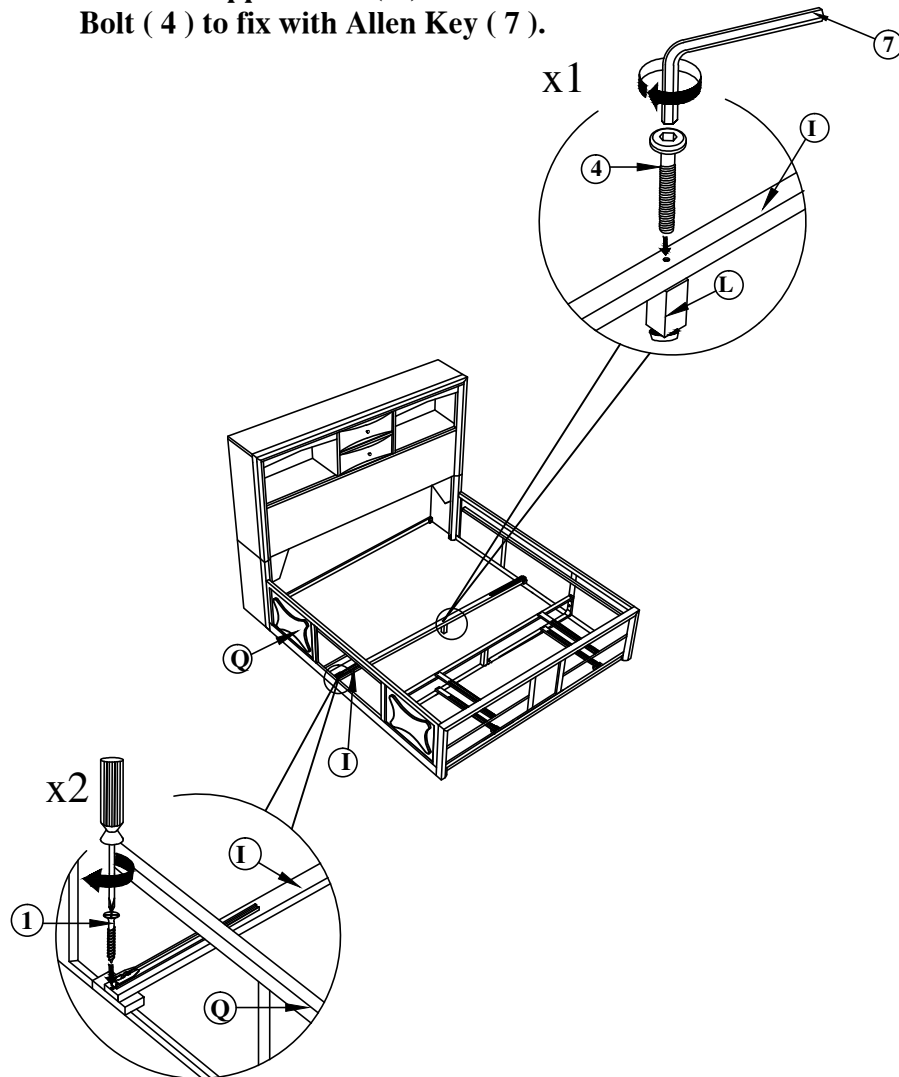
STEP 9 : Attach the Drawer Support Rail (J) to the Footboard Drawer Frame (F). Insert Spring Washer (5), Flat Washer (6) & JCBC Bolt (3) to fix with Allen Key (7).



STEP 8 : Attach the Drawer Support Rail (J) to the Footboard (B) using CSK Screw (1) and tighten with Screw Driver. (Not Included)

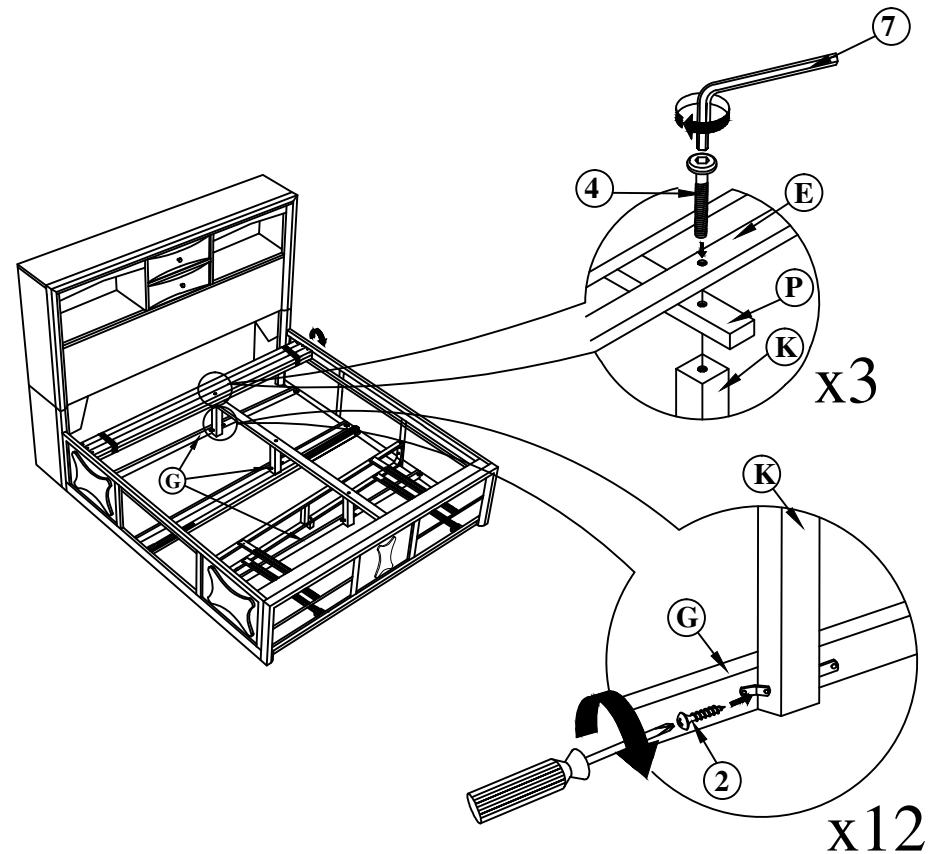
ASSEMBLY INSTRUCTIONS

STEP 10 : Attach Support Leg 2 (L) to the Drawer Support Rail (I).Use JCBC Bolt (4) to fix with Allen Key (7).



STEP 11 : Attach Drawer Support Rail (I) to the Side Rail (Q) using Csk Screw (1) and tighten with Screw Driver.(Not Included)

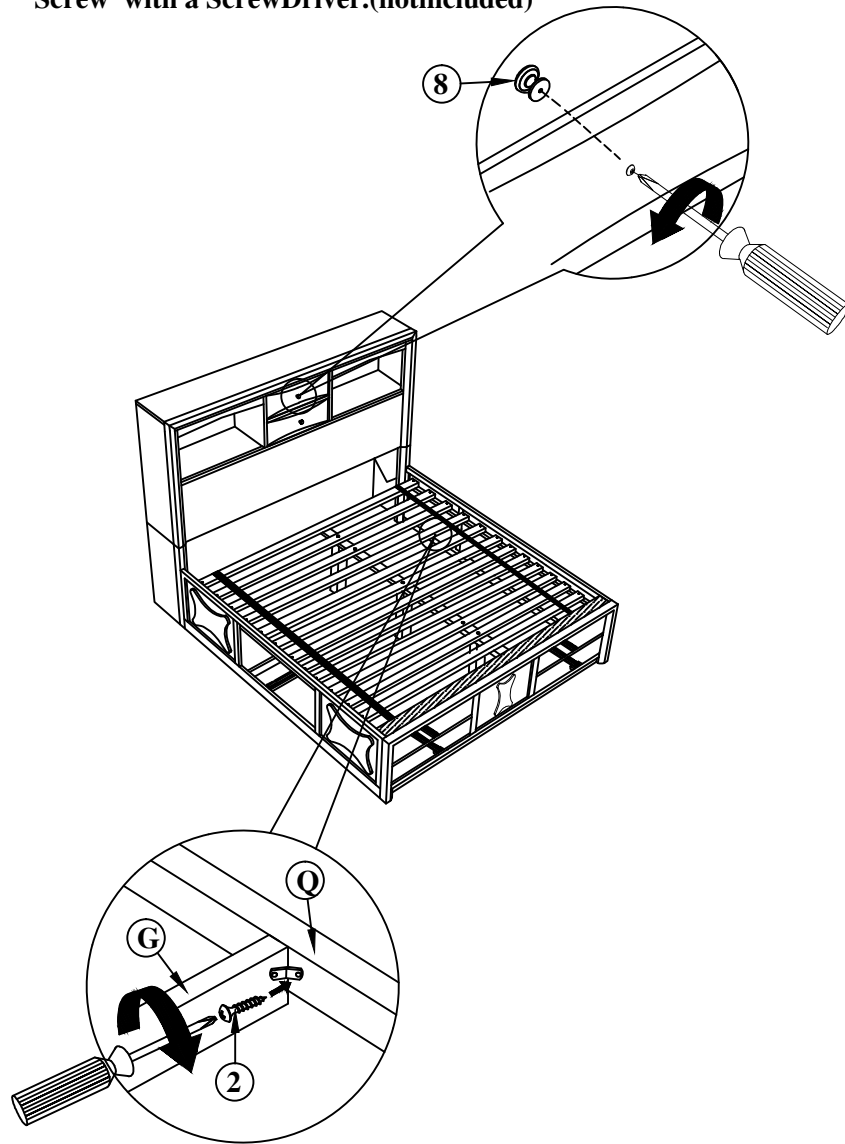
STEP 12 : Fix the Support Leg 1 (K) to the Center Rail (P). Attach the assembled Support Leg 1 to Side Rail (Q) as shown. Loosen and tighten Adjuster to Stability the Bed.Tighten Bed Slat Support (K).Use JCBC Bolt (4) and Allen Key (7) to fix.



STEP 13 : Tighten the Crossrail (G) and Support Leg 1 (K).Fix using a Panhead Screw (2) and a Screw Driver.(not included)

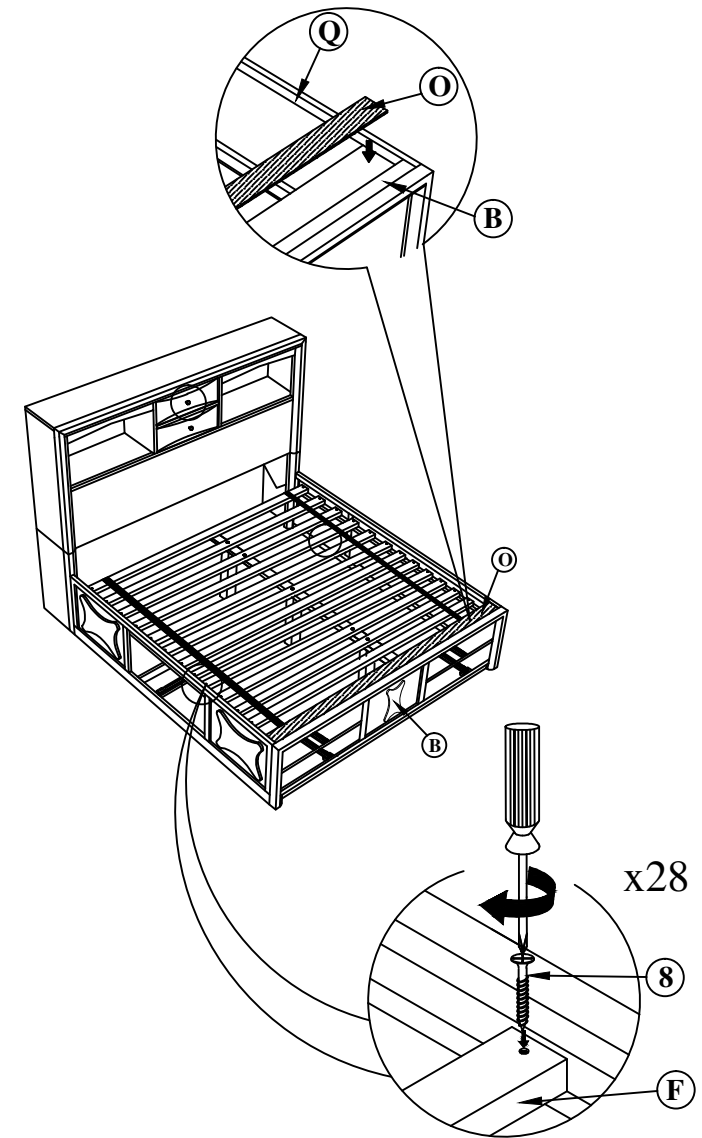
ASSEMBLY INSTRUCTIONS

STEP 14 : Remove HANDLE by loosening the Handle Screw with a ScrewDriver.(notincluded)



STEP 15: Attach Crossrail (G) with Side Rail (Q).The Footboard Frame (F). Fix using a Panhead Screw (2) and a Screw Driver.(not included)

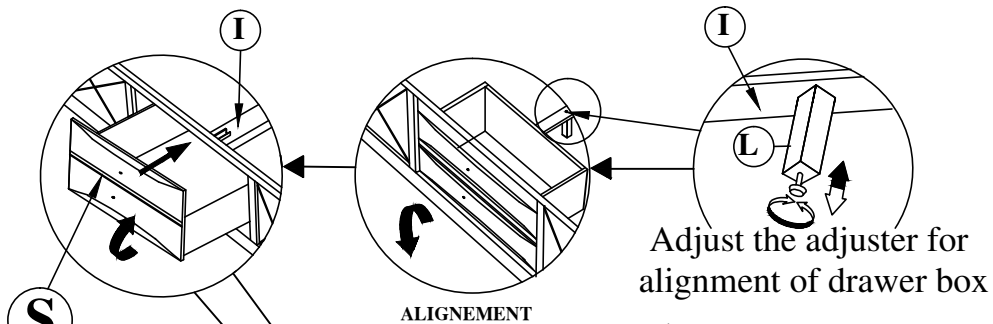
STEP 16 : Affix the Concealed Panel Slat (O) to the top of the Footboard (B).



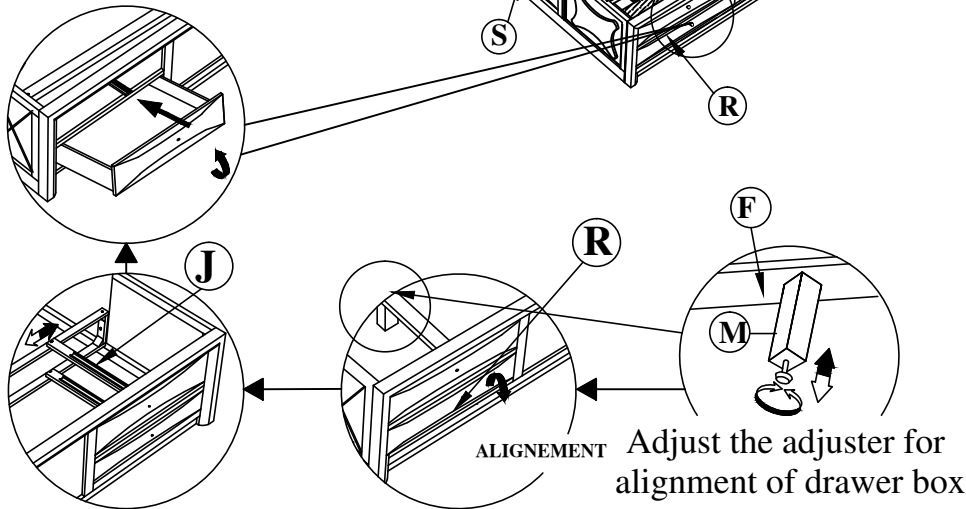
STEP 17 : Push the Side Rail (Q) against the Wooden Support and fix using the CSK Screw (1) and a Screw Driver.(not included)

ASSEMBLY INSTRUCTIONS

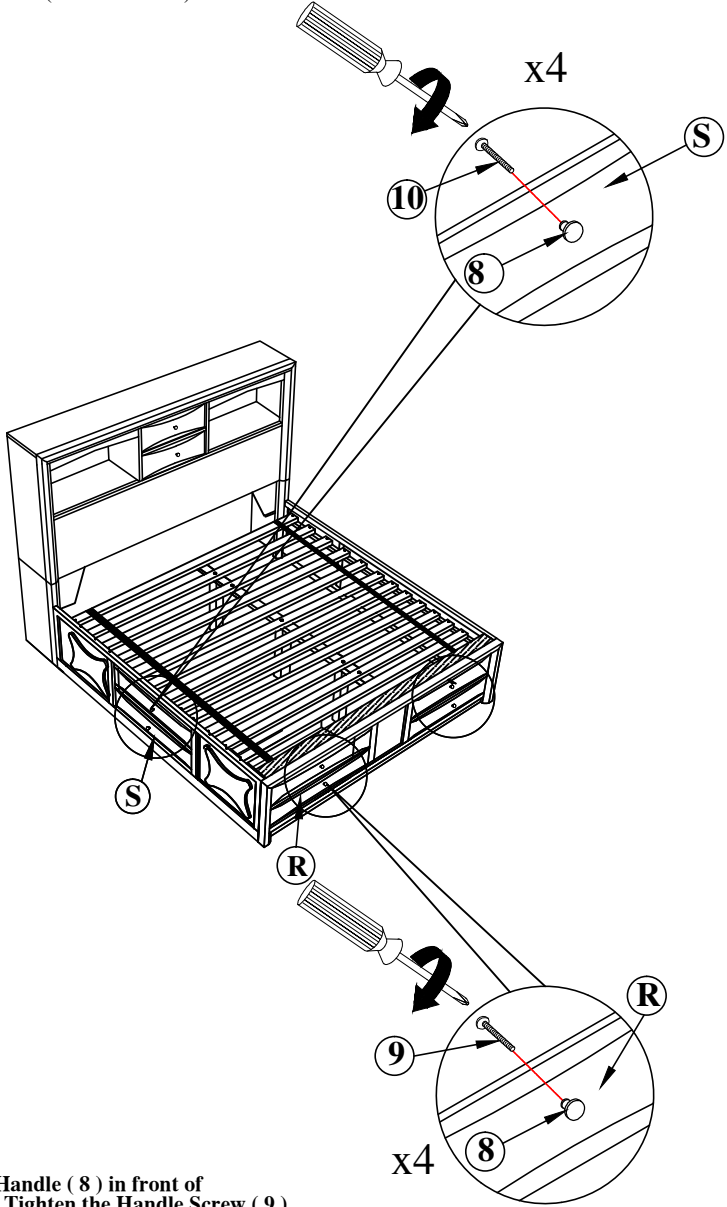
STEP 18 : Attach Drawer-2 (S) on Drawer Support Rail -1 (I).



STEP 19 : Attach Drawer-1 (R) on Drawer Support Rail -2 (J).



STEP 20 : Install the Handle (8) in front of drawer (S). Tighten the Handle Screw (10) using Screw Driver.(Not Included)



STEP 21 : Install the Handle (8) in front of drawer (R). Tighten the Handle Screw (9) using Screw Driver.(Not Included)

NOTE : MUST TIGHTEN SCREWS PERIODCALLY WITH USE SCREW WILL BECOME LOOSE CHECK TIGHTNESS OF ALL SCREW EVERY 6-8 WEEKS.