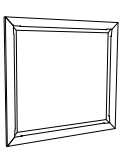


# ASSEMBLY INSTRUCTIONS

**MODEL : C0170A/C0172A  
DRESSER & MIRROR**


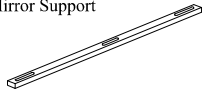
**(Box 1)**

BOX OF MIRROR

No	ITEM	Qty
A	Mirror 	1 pc

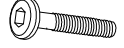
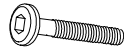



**(Box 2)**

BOX OF DRESSER

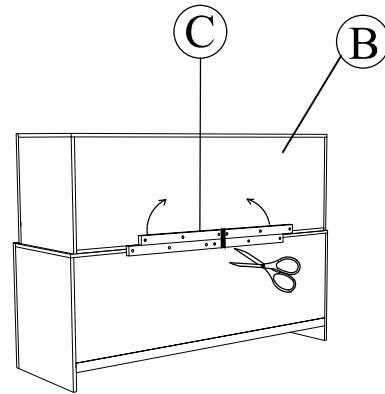
No	ITEM	Qty
B	Dresser 	1 pc
C	Mirror Support 	2 pcs

**(Box 2)**

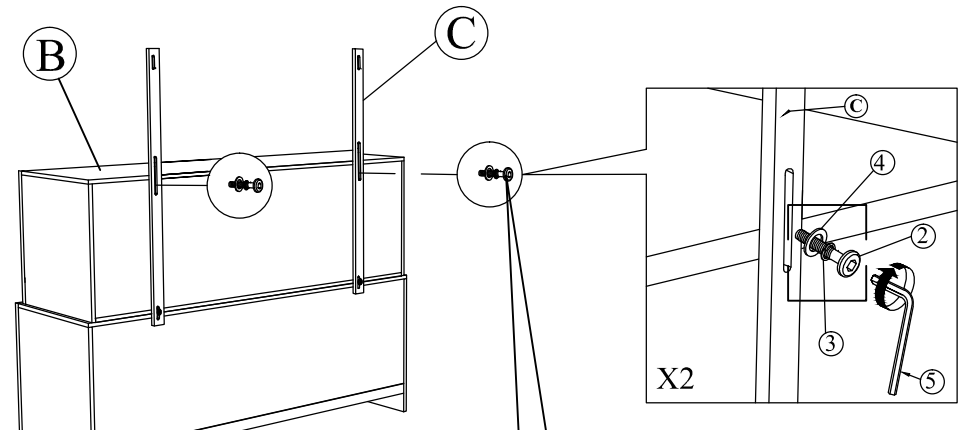
HARDWARE LIST

No	ITEM	Qty
1	JCBC BOLT M6 x 35mm 	4 pcs
2	JCBC BOLT M6 x 40mm 	2 pcs
3	Spring Washer 1/4" Rbw 	6 pcs
4	Flat Washer 1/4" ID x 13mm OD Blk 	6 pcs
5	ALLEN KEY M4 x 65mm Blk 	1 pc

**STEP 1 :** Cut of the Raffia String from the back of DRESSER ( B ).

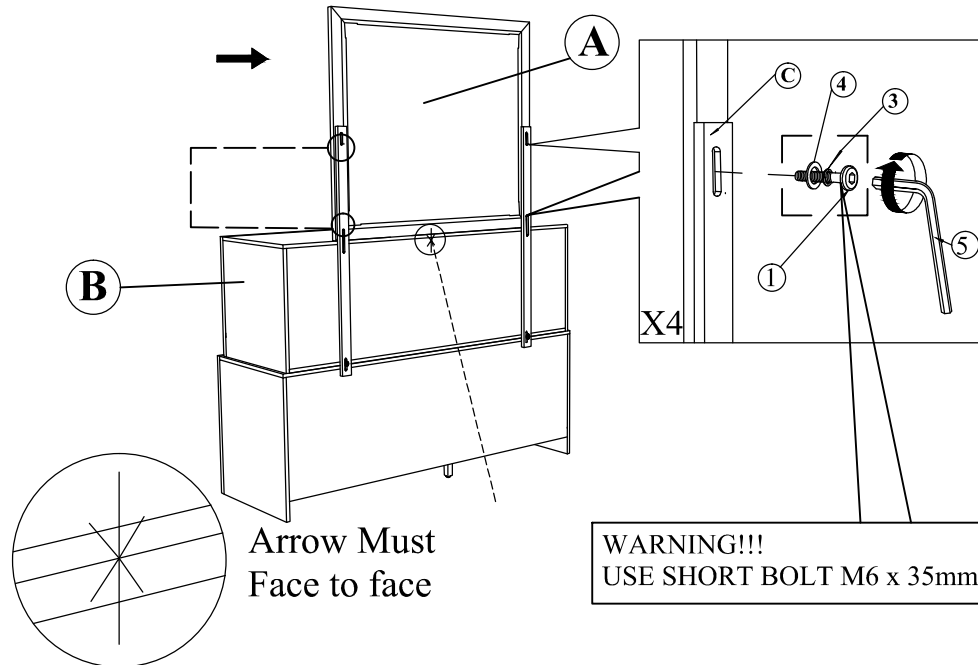


**STEP 2 :** Turn the MIRROR SUPPORT RAIL ( C ) upward at the back of DRESSER ( B ), then Tighten with JCBC BOLT ( 2 ), SPRING WASHER ( 3 ) & FLAT WASHER ( 4 ).



**WARNING!!!  
USE LONG BOLT M6 x 40mm**

**STEP 3 :** Place the MIRROR FRAME ( A ) on the Top of DRESSER ( B ) as Shown and Tighten with JCBC BOLT ( 1 ), SPRING WASHER ( 3 ) & FLAT WASHER ( 4 ).



**WARNING!!!  
USE SHORT BOLT M6 x 35mm**

**COMPLETED  
ASSEMBLY!!!**



**NOTE : SCREWS LOOSEN WITH USE. CHECK FOR LOOSE SCREWS AND TIGHTEN EVERY 6-8 WEEKS.**