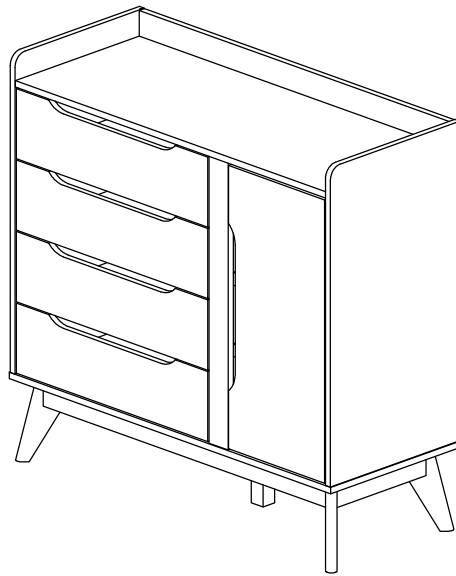
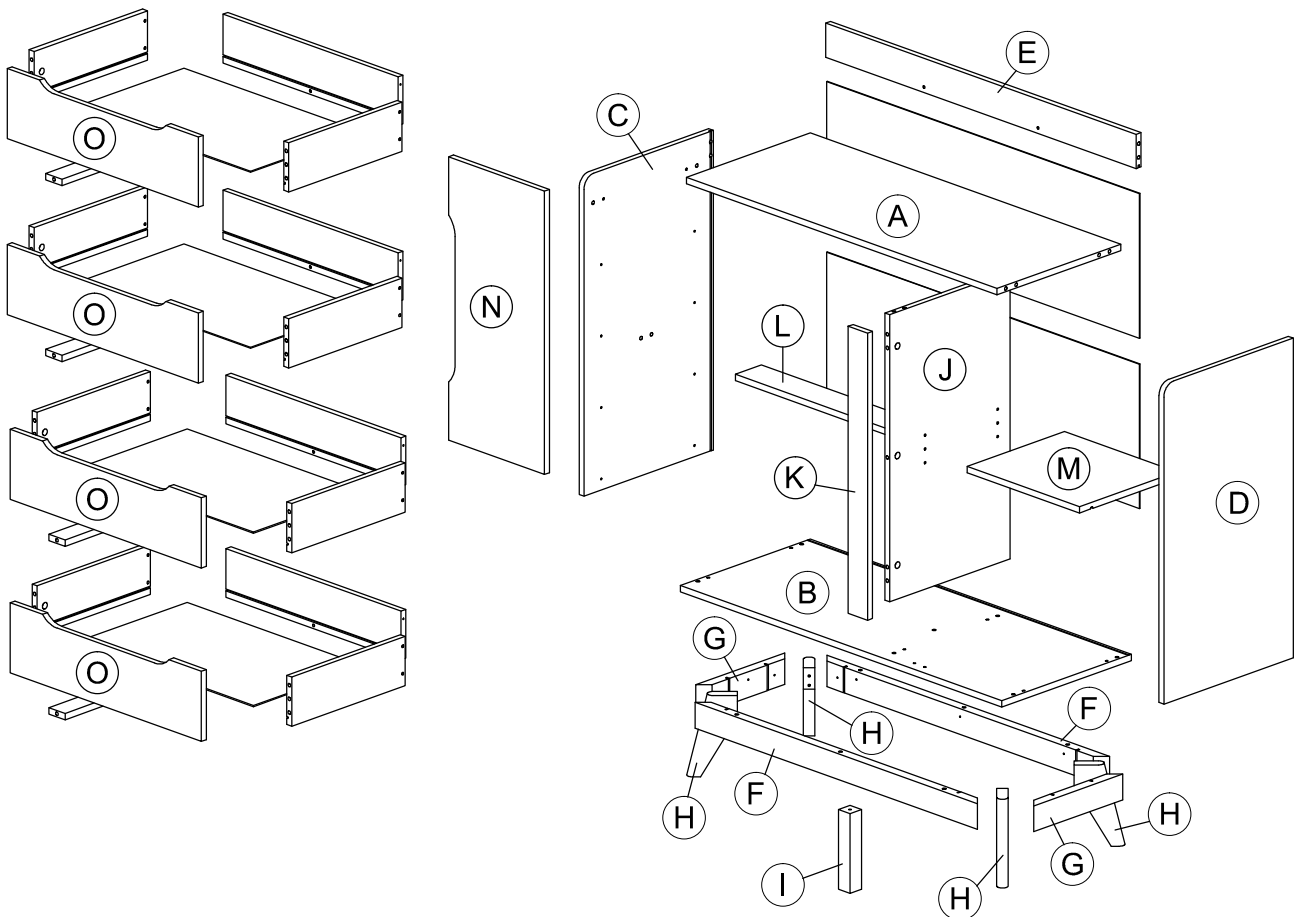


Assembly Instruction

Model : WI7497

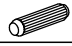




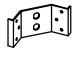
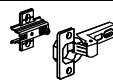


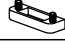


PART LIST



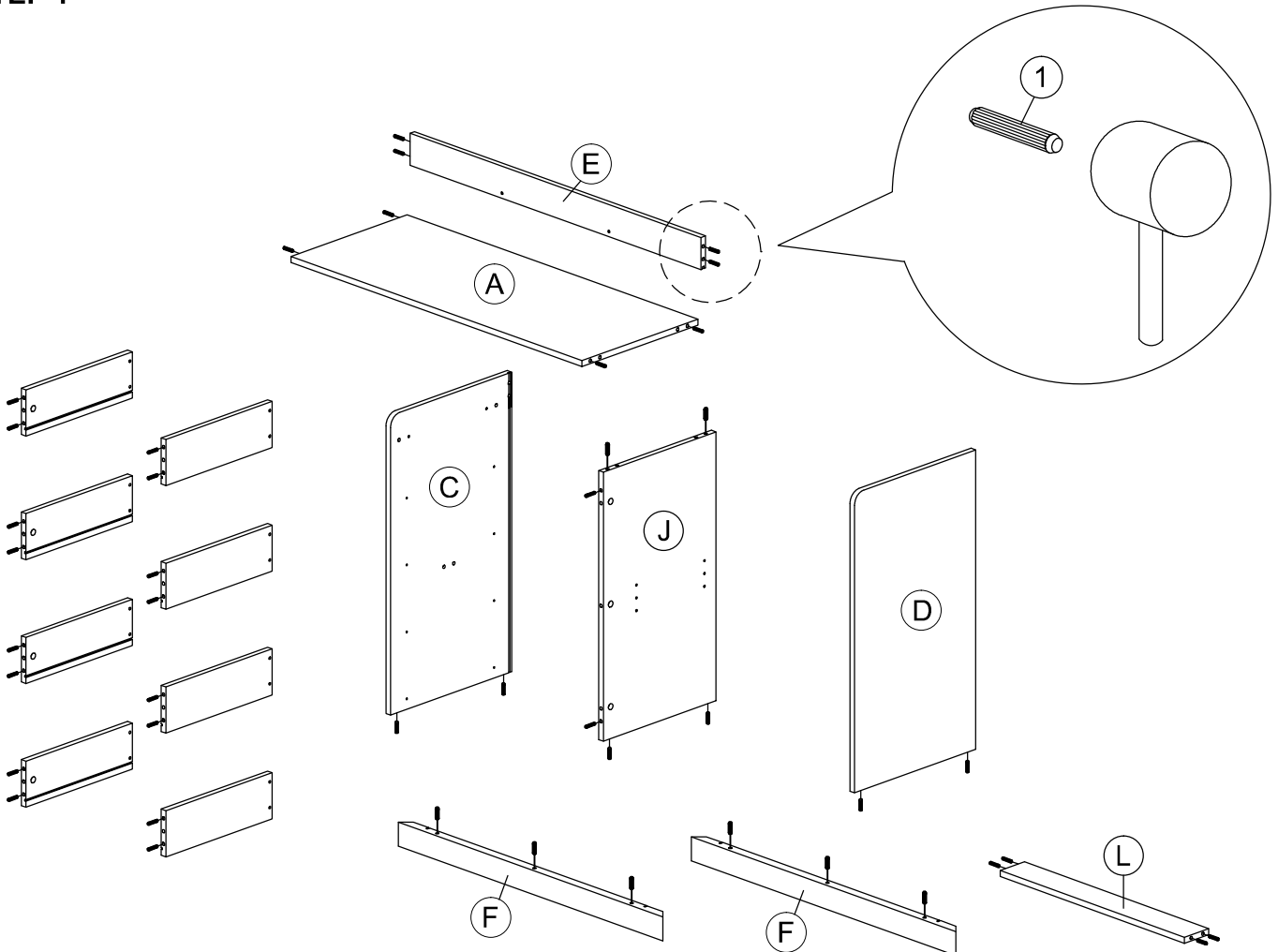
Assembly Instruction

Hardware List

No.	SHAPE	DESCRIPTION	Qty.
1		8x25mm Wood Dowel	44Pcs
2		15MM Myfix Minifix	21Sets
3		M5x8mm Screw (Euro Screw)	16Pcs
4		M3x16mm Screw	8Pcs
5		M3.5x15mm Screw	56Pcs
6		M4x38mm Screw	28Pcs
7		Jcbc 'W' M6 x 40mm	9Pcs
8		L Bracket	8 Pcs
9		Nail Leg	4Pcs
10		Z Bracket (Big)	4Pcs

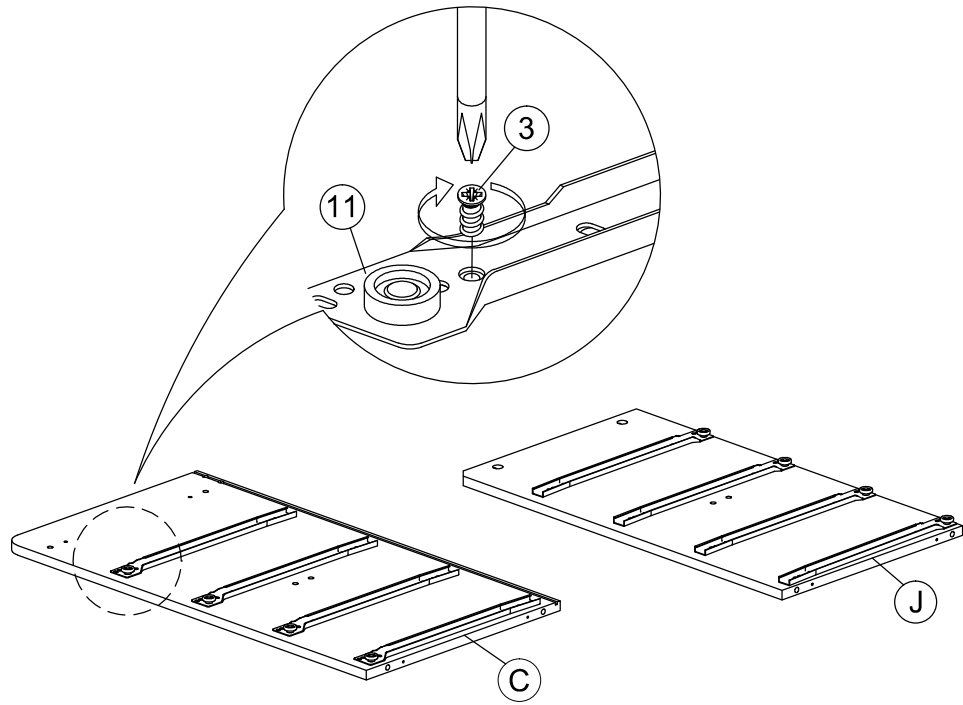
11		Metal Drawer Slide 14" (350mm)	4 Sets
12		Minifix Cap	11Pcs
13		Metal Coner Bracket	4Pcs
14		Hinges (F010)	2Sets
15		TP 10#x1/2" Screw	8Pcs
16		Shelf Support Ø5x16	4Pcs
17		2 Pin Stopper	2Pcs
18		Nail	8Pcs
19		L Key	1Pc
20		Adjust Screw	1Pc

STEP 1

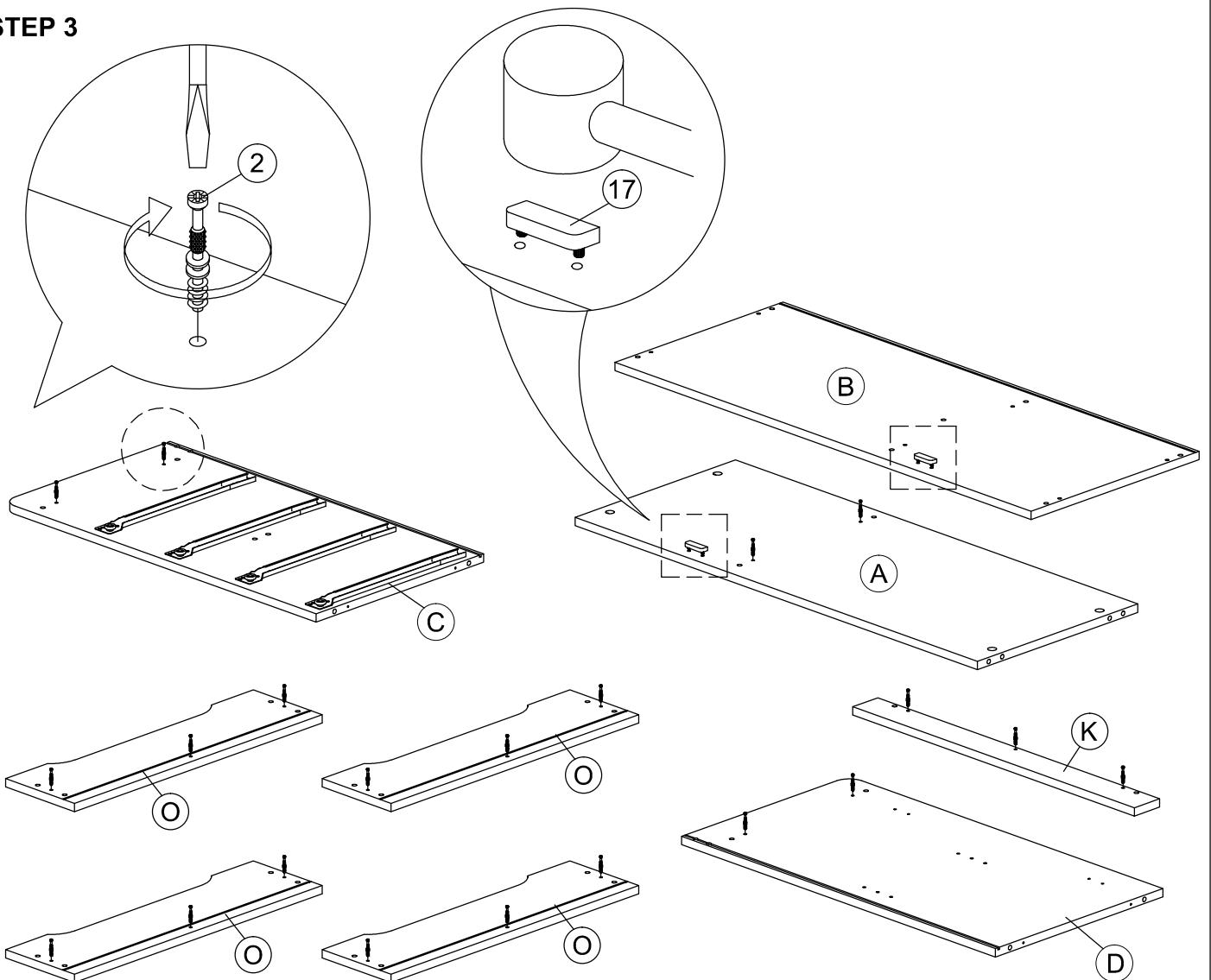


Assembly Instruction

STEP 2

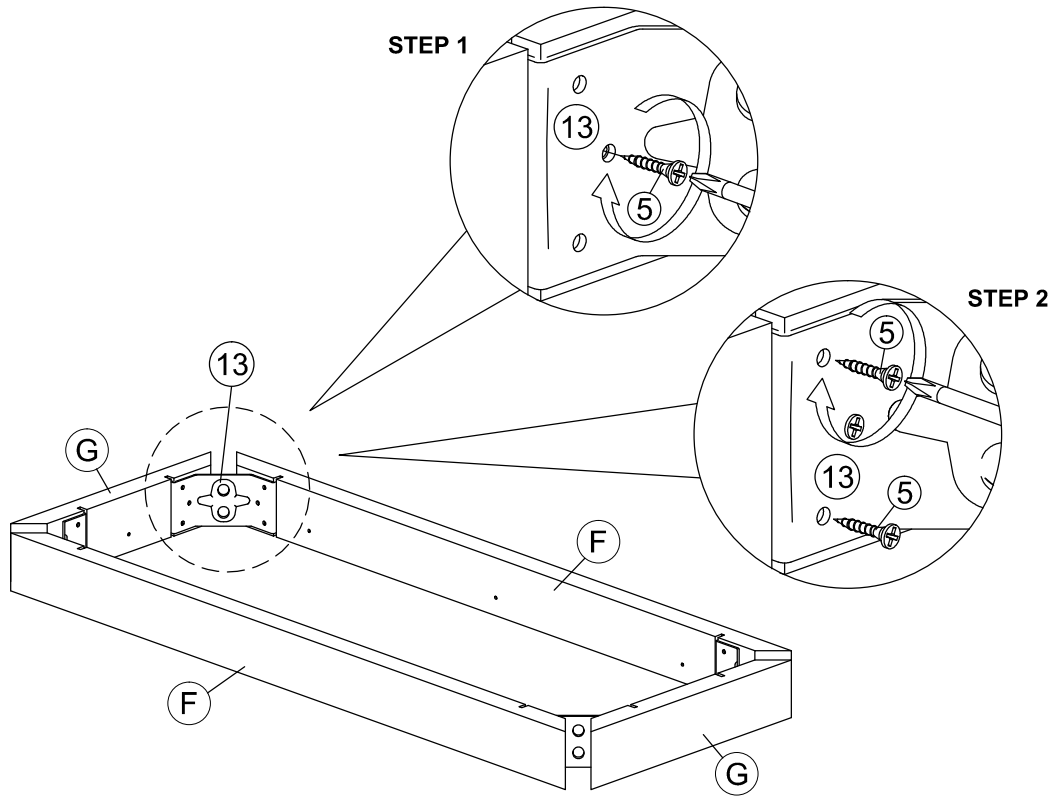


STEP 3

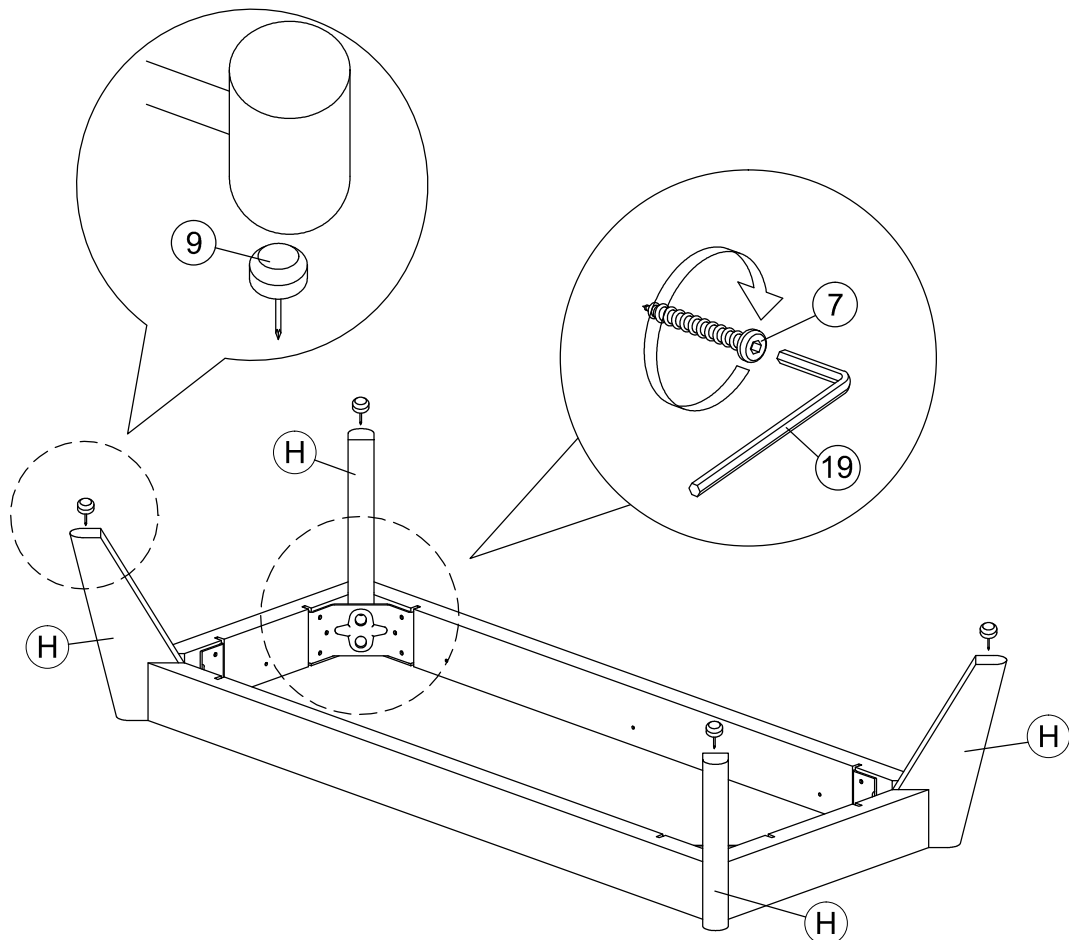


Assembly Instruction

STEP 4

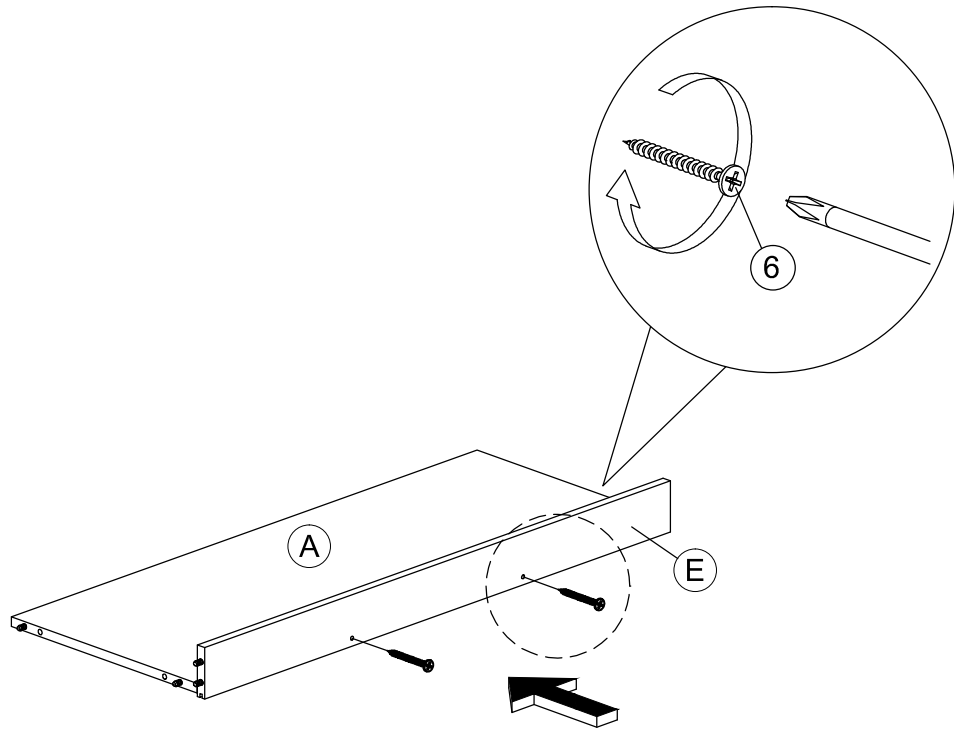


STEP 5

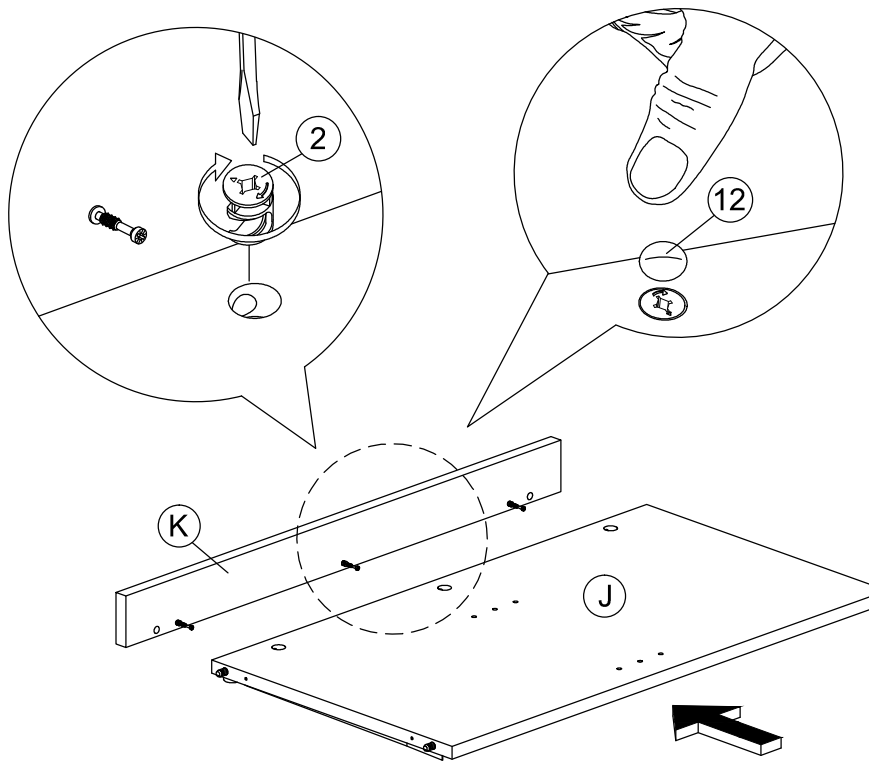


Assembly Instruction

STEP 6

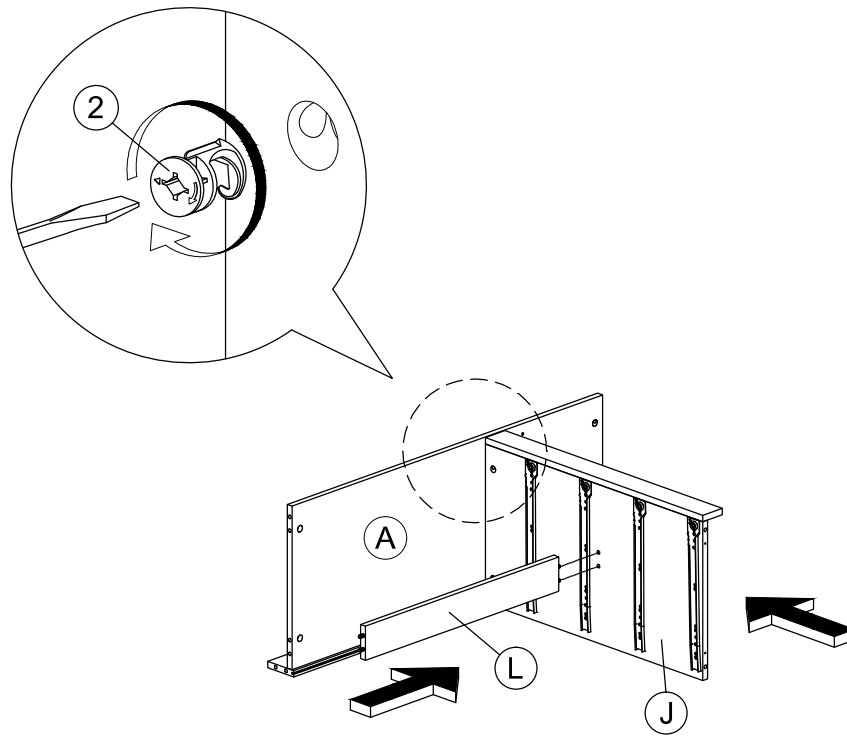


STEP 7

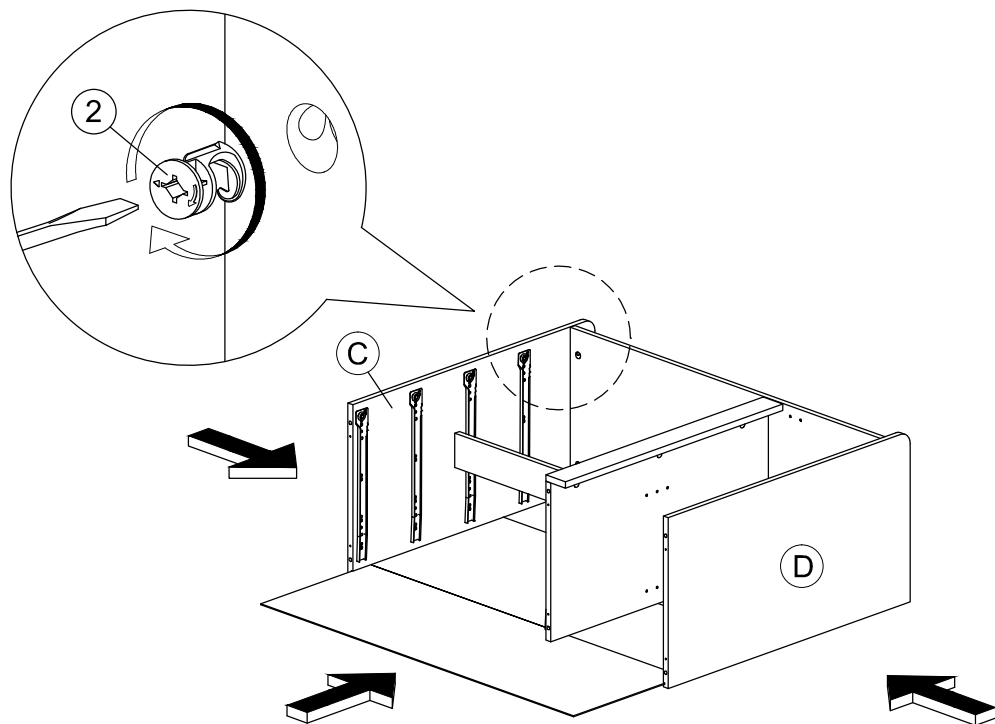


Assembly Instruction

STEP 8

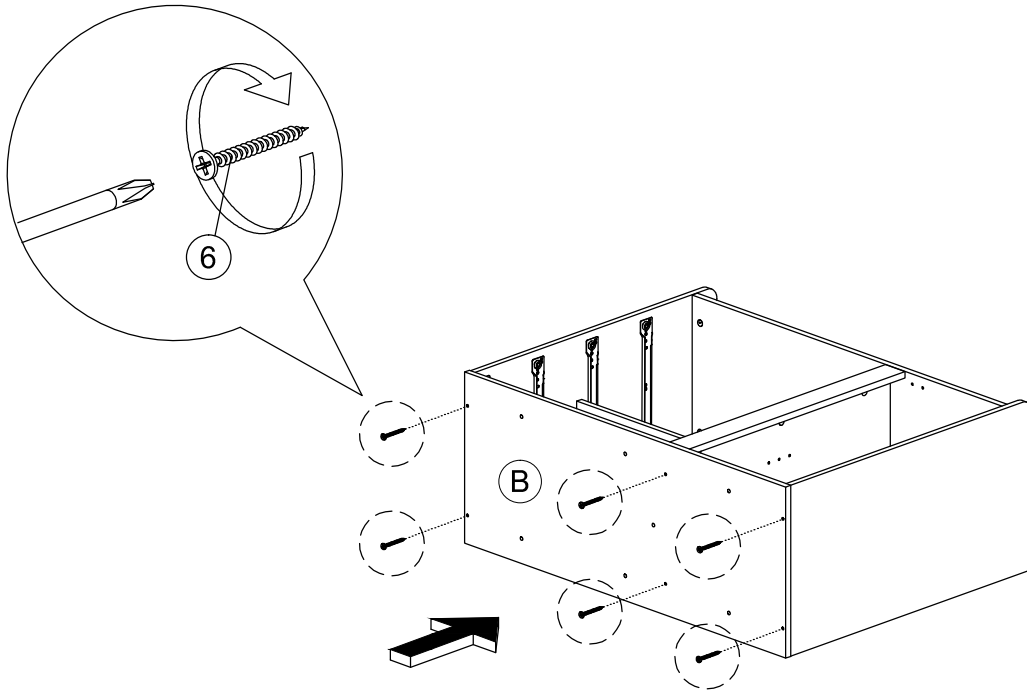


STEP 9

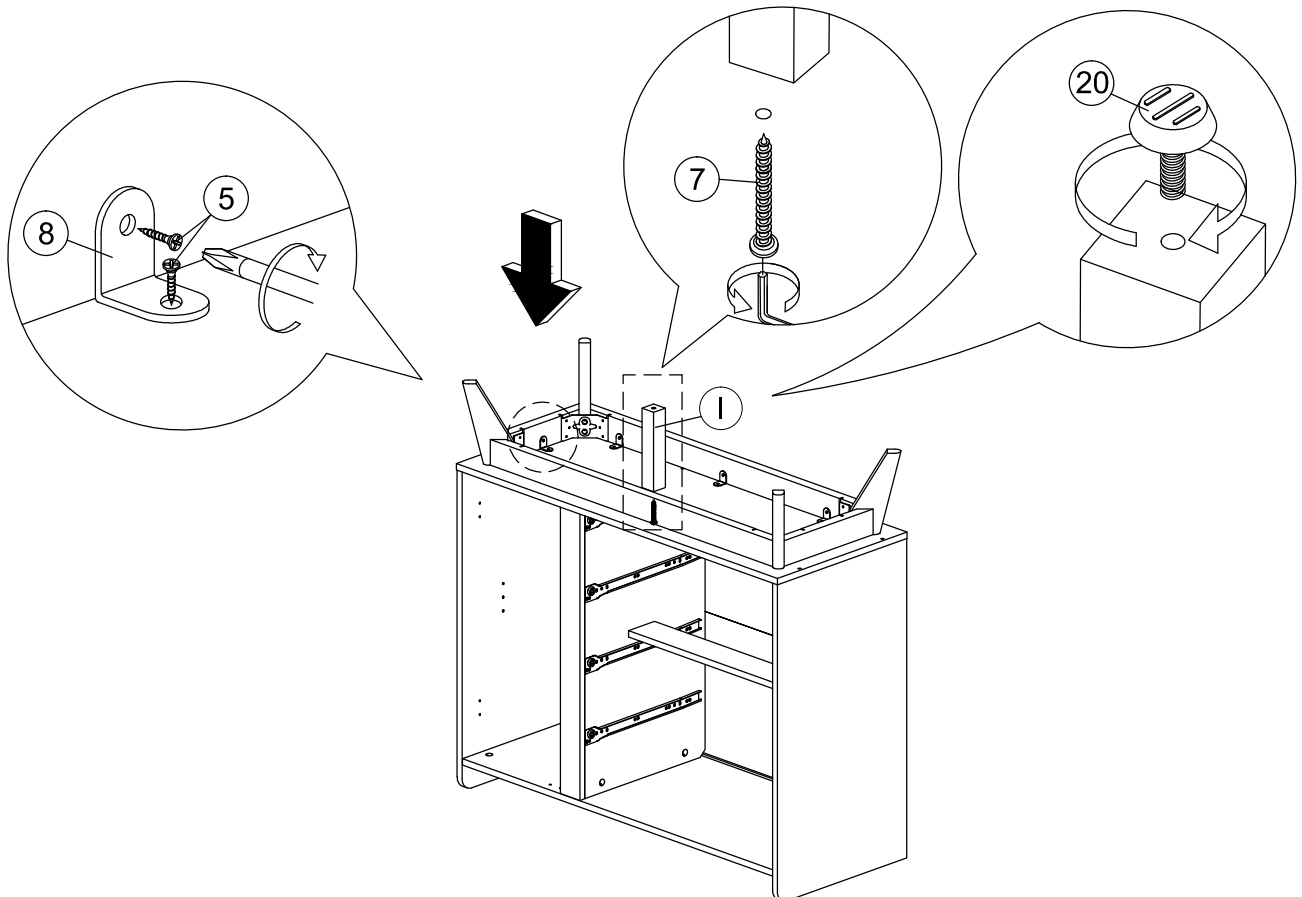


Assembly Instruction

STEP 10

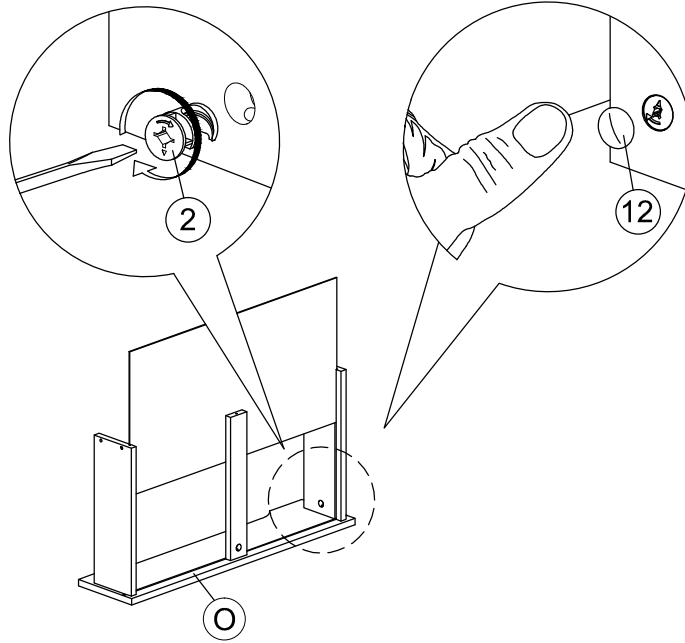


STEP 11

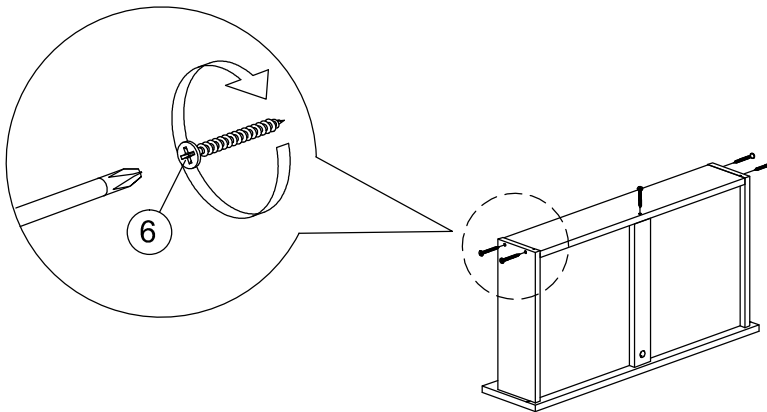


Assembly Instruction

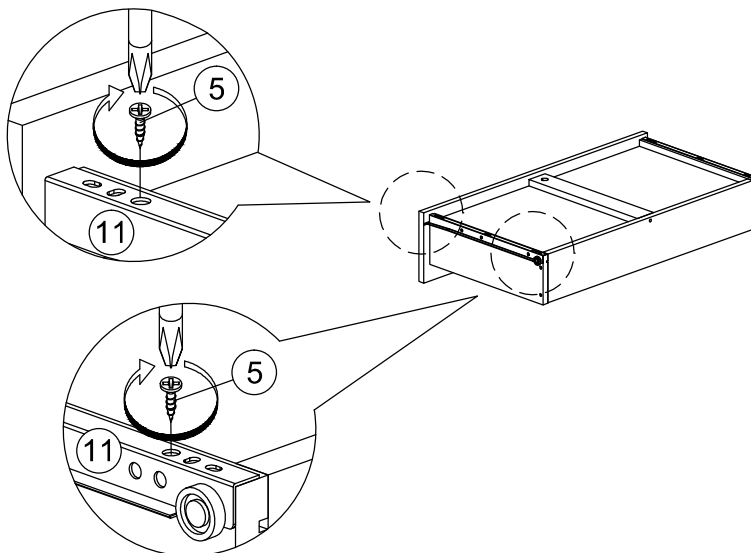
STEP 12



STEP 13

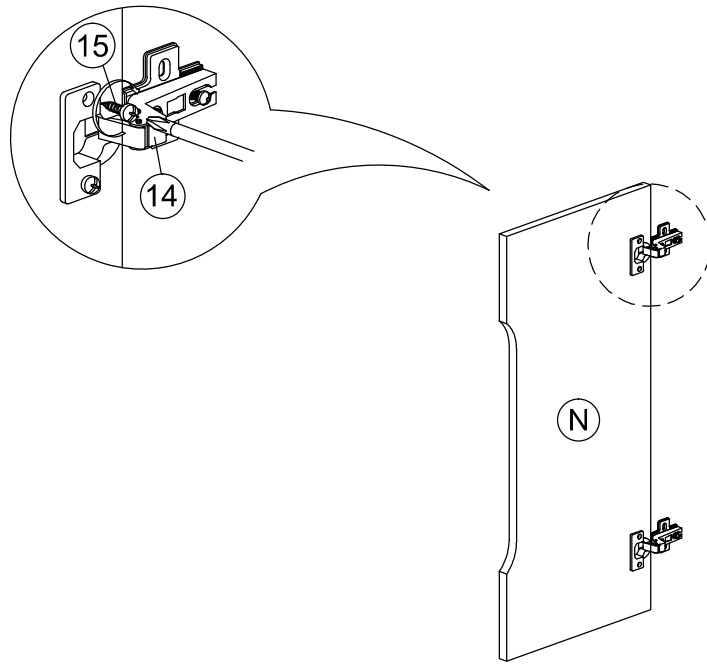


STEP 14

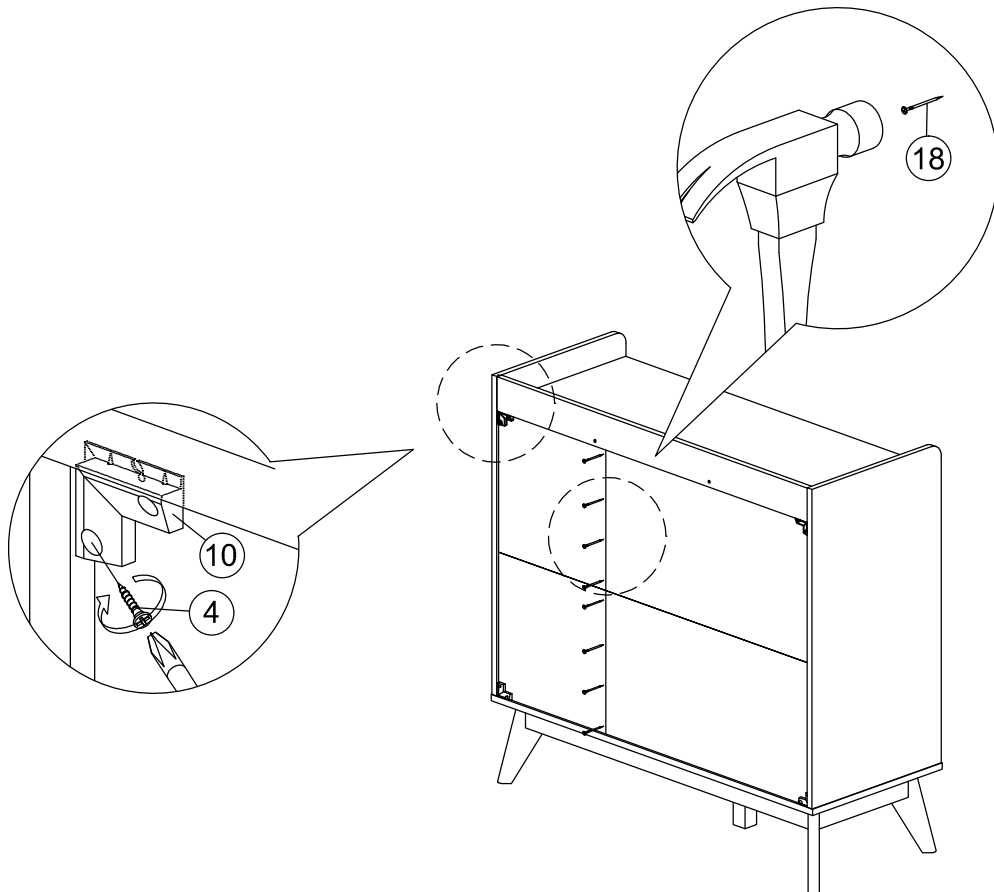


Assembly Instruction

STEP 15

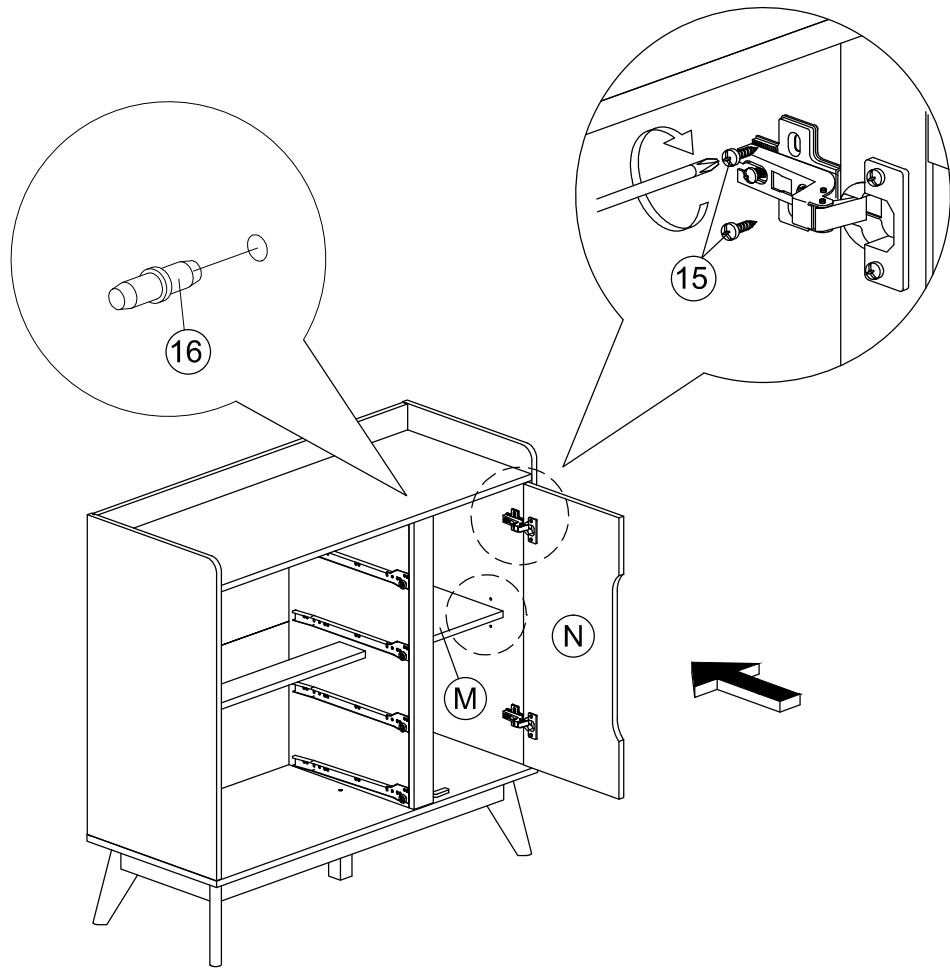


STEP 16



Assembly Instruction

STEP 17



STEP 18

