

ASSEMBLY INSTRUCTION

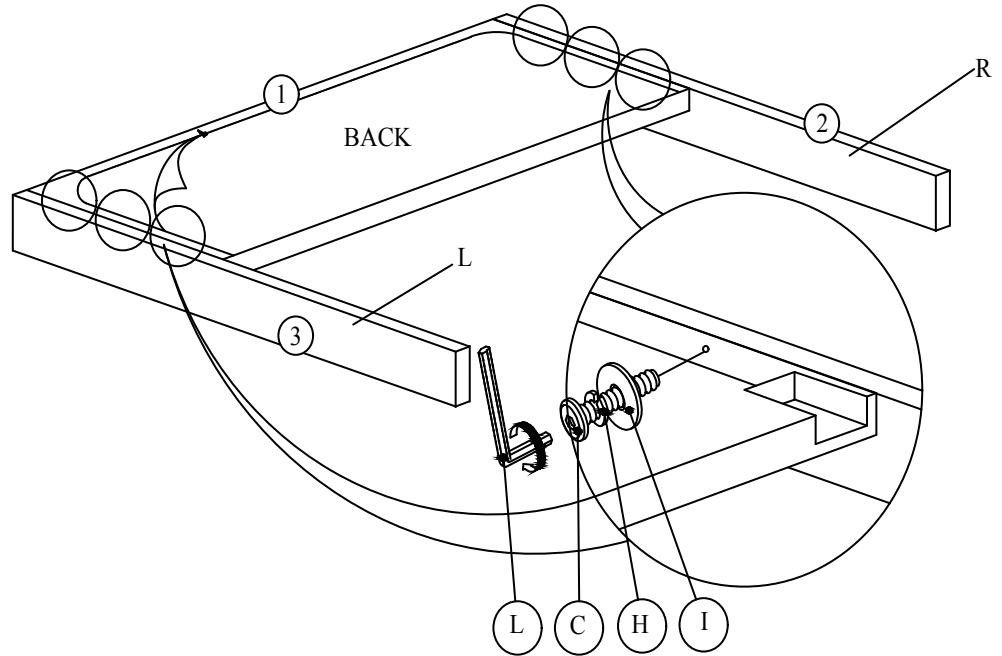
ITEM : BRADY - FB / QB

NO	PART LIST	QTY
1	HEADBOARD CUSHION	1PC
2	WING (R)	1PC
3	WING (L)	1PC
4	FOOTBOARD	1PC
5	FOOTBOARD LEG	2PCS
6	SIDE RAIL (L/R)	2PCS
7	SIDE RAIL (L/R)	2PCS
8	SIDE RAIL SUPPORT LEG	2PCS
9	SLAT	4PCS
10	SUPPORT LEG WITH ADJUSTABLE FEET	4PCS

ITEM	HARDWARE	QTY
A	JCBB SCREW M8 x 20MM	4PCS
B	JCBC SCREW M6 x 25MM	8PCS
C	JCBC SCREW M6 x 35MM	10PCS
D	JCBC SCREW M8 x 50MM	4PCS
E	JCBC SCREW M6 x 70MM	2PCS
F	WOOD DOWEL M8 x 30	2PCS
G	WOOD DOWEL M10 x 30	4PCS
H	SPRING WASHER	14PCS
I	FLAT WASHER	14PCS
J	SCREW M4 x 32MM	8PCS
K	L - KEY M5 x 65MM	1PC
L	L - KEY M4 x 65MM	1PC
M	SPRING WASHER (FOR M8)	4PCS
N	FLAT WASHER (FOR M8)	4PCS

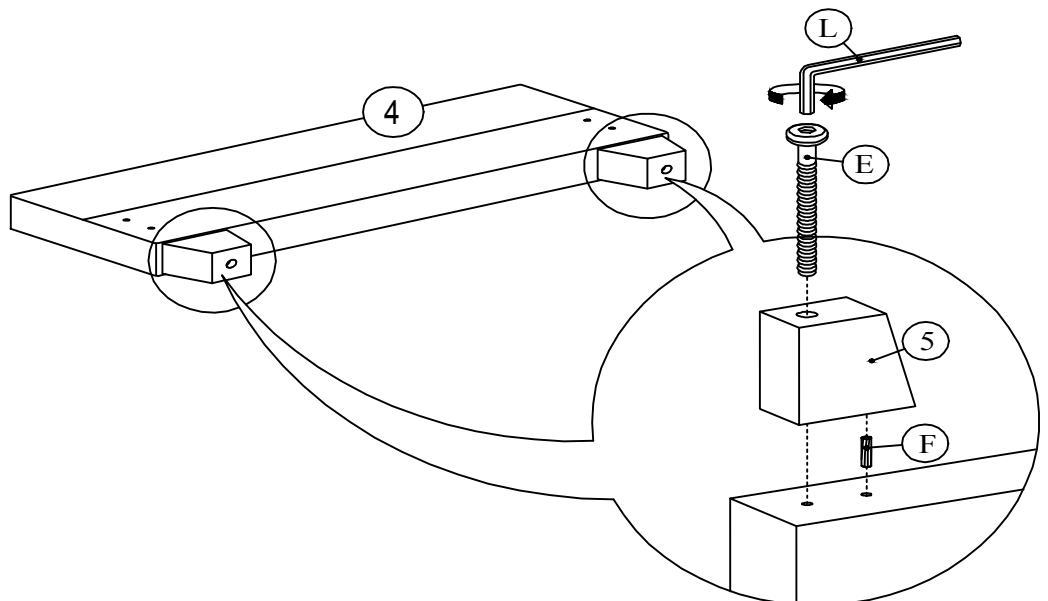
STEP 1

Begin assembly by attaching each wing (2) & (3) to each side of headboard cushion (1) by aligning the hole and securing with 3 Allen Bolts (C), 3 spring washer (H), 3 flat washer (I) per side using L-key (L).



STEP 2

Attach each footboard legs (5) to the bottom of the footboard cushion (4) by inserting a dowel (F) & securing with 1 Allen Bolt (E) per leg using L-key (L).

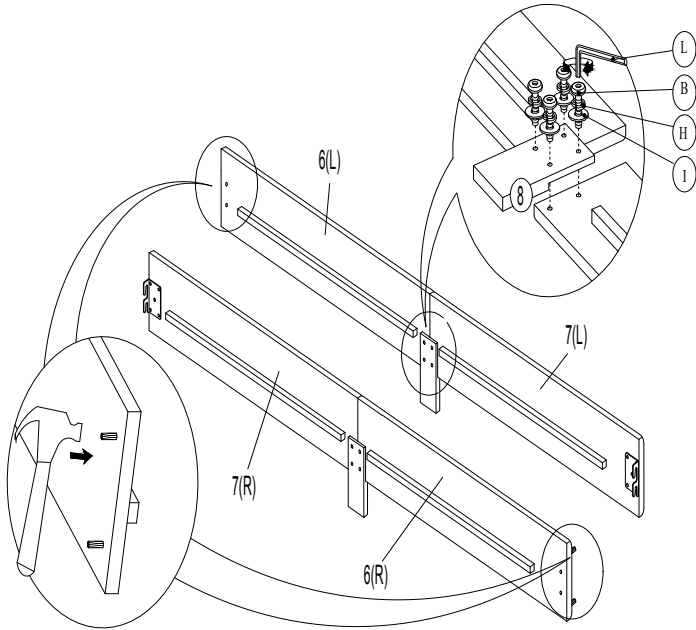


NOTE : AFTER A FEW DAYS OF ASSEMBLY , IT WILL HAVE ACCLIMATIZED TO THE ENVIRONMENT PLEASE TIGHTEN ALL HARDWARE. CHECK TIGHTNESS OF ALL SCREWS EVERY 6-8 WEEKS.

ASSEMBLY INSTRUCTION

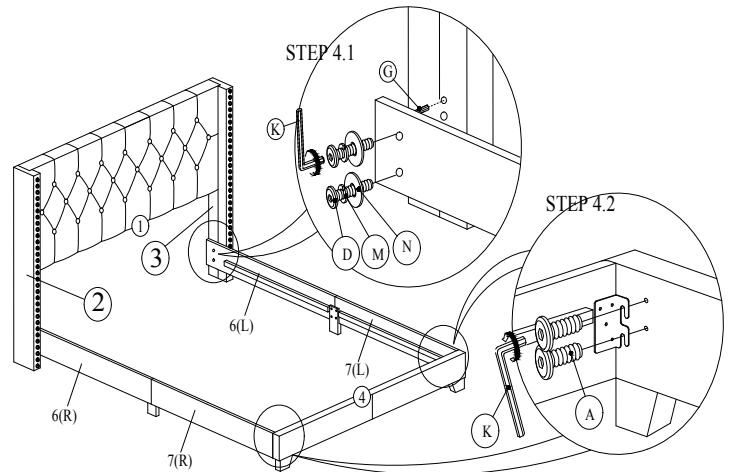
STEP 3

Attach the side rail support legs (8) to the join of the side rail (6) & side rail (7) by securing with 4 Allen Bolts (B), 4 spring washer (H), 4 flat washer (I) per support using L-key (L).



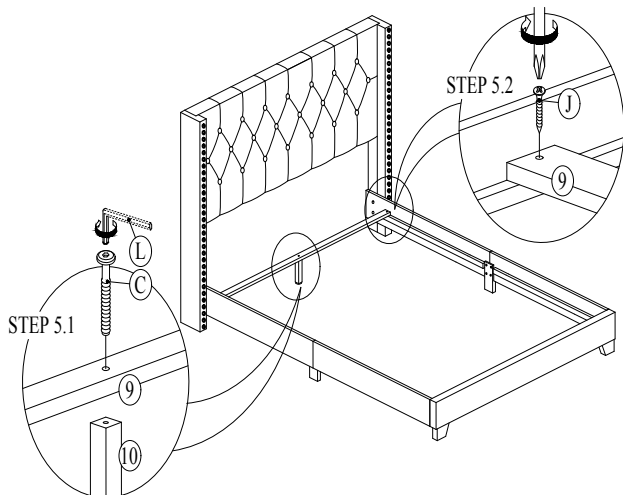
STEP 4

Attach side rail to the wing (2) & (3) by inserting 2 wood dowel (G). Aligning the holes and securing with 2 Allen Bolts (D), 2 spring washer (M), 2 flat washer (N) each side using L-key (K). Attached side rail to footboard (4) by securing with 2 Allen Bolts (A) using L-key (K).

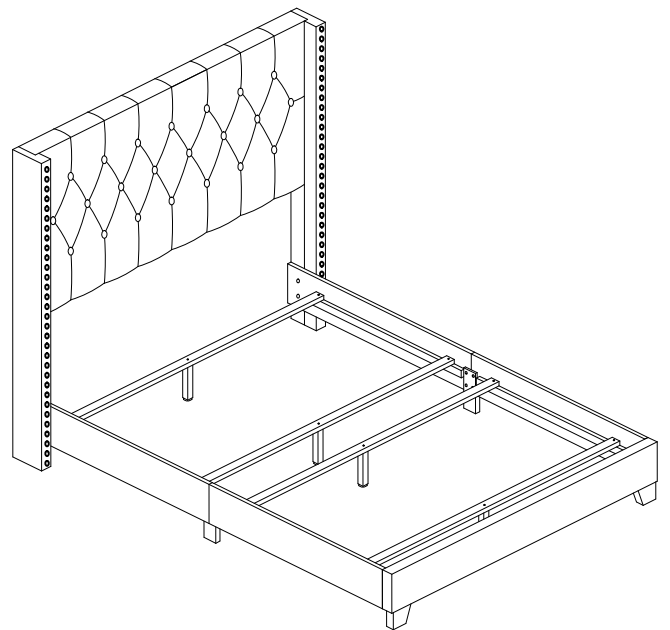


STEP 5

Attach support legs (10) to slat (9) by securing with 1 Allen Bolt (C) per support leg. Attach slat (9) to side rail by securing with 1 screw (J) per each side. Tighten all screws using philips head screw driver (NOT INCLUDED). Tighten all bolts on step 2 & 3 using L-key (L) & tighten bolts on step 4 using L-key (K).



STEP 6



**ASSEMBLY
COMPLETED**

NOTE : AFTER A FEW DAYS OF ASSEMBLY , IT WILL HAVE ACCLIMATIZED TO THE ENVIRONMENT. PLEASE TIGHTEN ALL HARDWARE. CHECK TIGHTNESS OF ALL SCREWS EVERY 6-8 WEEKS.