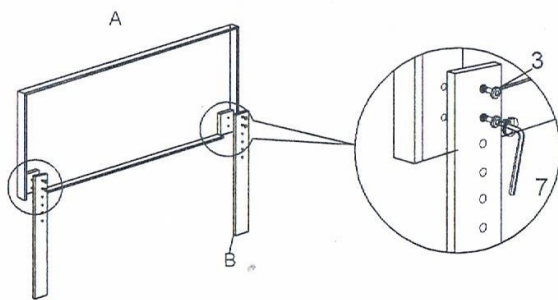


# ASSEMBLY INSTRUCTION

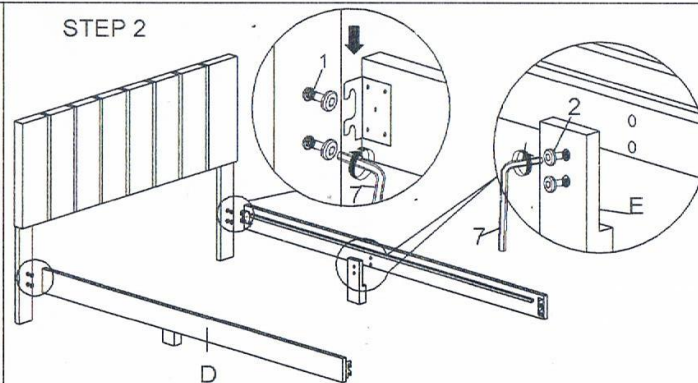
MODEL :BSL 098F-

NO	PART LIST	QTY
A	HEADBOARD	1PC
B	B/POST SUPPORT	2PCS
C	FOOTBOARD	1PC
D	SIDE RAIL	2PCS
E	SIDE RAIL SUPPORT	2PCS
F	SLAT	12PCS
G	C/SLAT	1PCS
H	C/LEG	3PCS
NO	HARDWARE LIST	QTY
1	JCBB M8 x 16mm	8PCS
2	JCBB M8 x 25mm	4PCS
3	JCBB M8 x 40mm	4PCS
4	JCBC M6 x 40mm	3PCS
5	CSK M4 x 25mm	18PCS
6	ALLEN KEY M4	1PCS
7	ALLEN KEY M5	1PCS

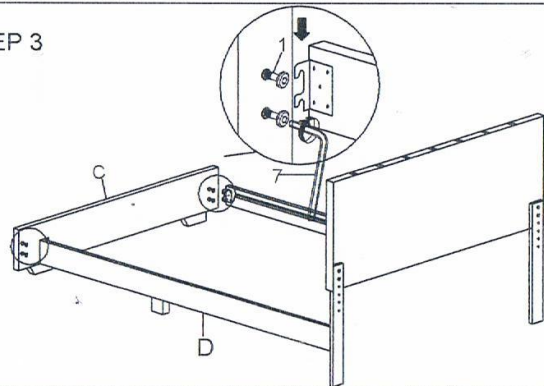
STEP 1



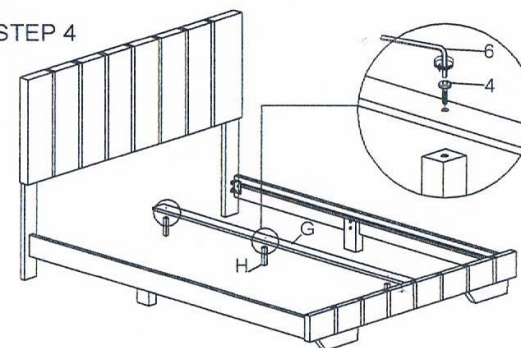
STEP 2



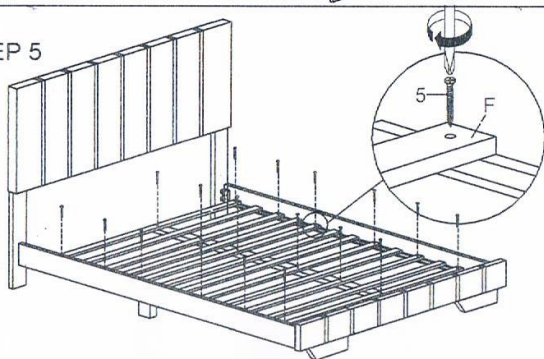
STEP 3



STEP 4



STEP 5



ASSEMBLY COMPLETED

