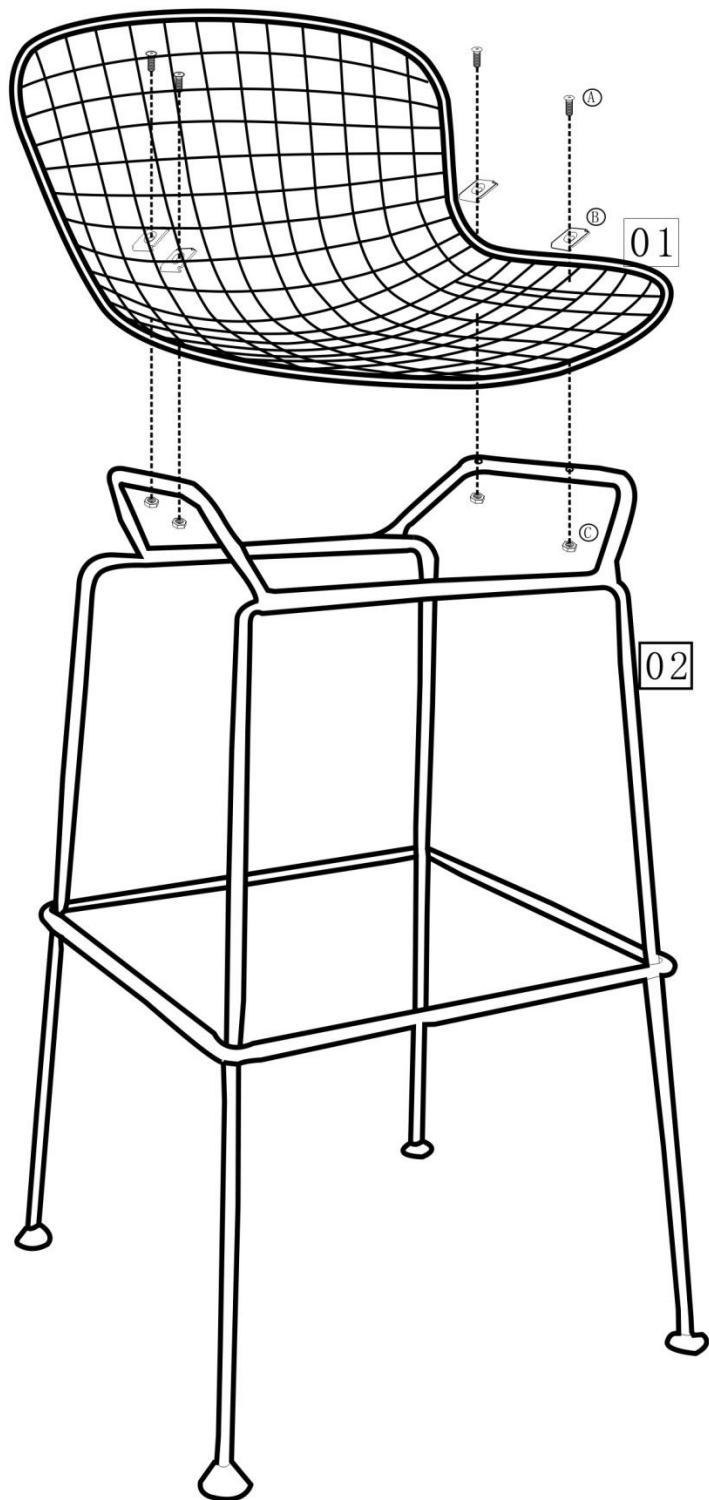




BS-479 Assembly Instruction


COMPONENT PARTS

FITTINGS



- A

*4

- B

*4

- C

*4

COMPONENT CHECKLIST

PART	No.	Qty.	
Seat	01	1	□
Leg	02	1	□

TOOLS REQUIRED



Allen key (supplied)