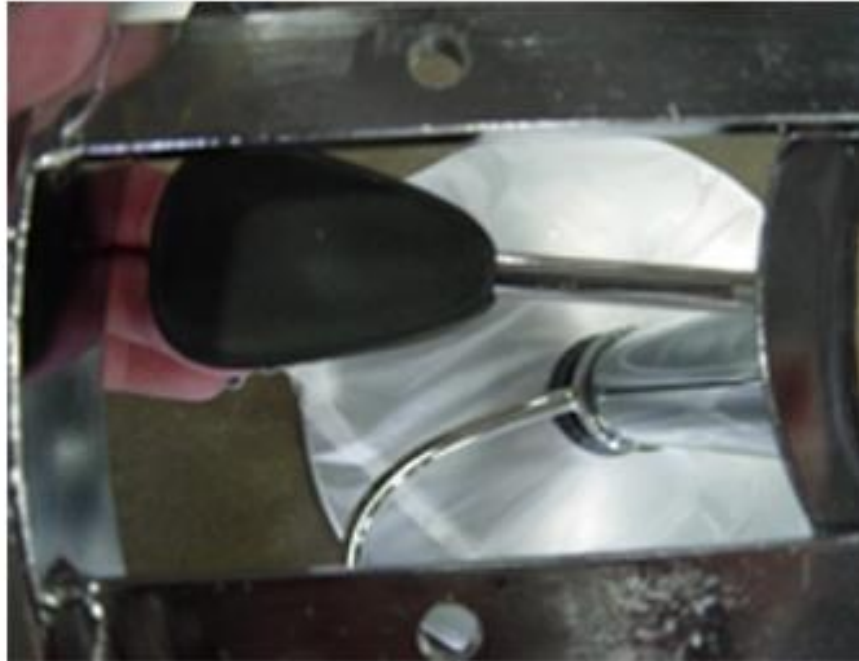


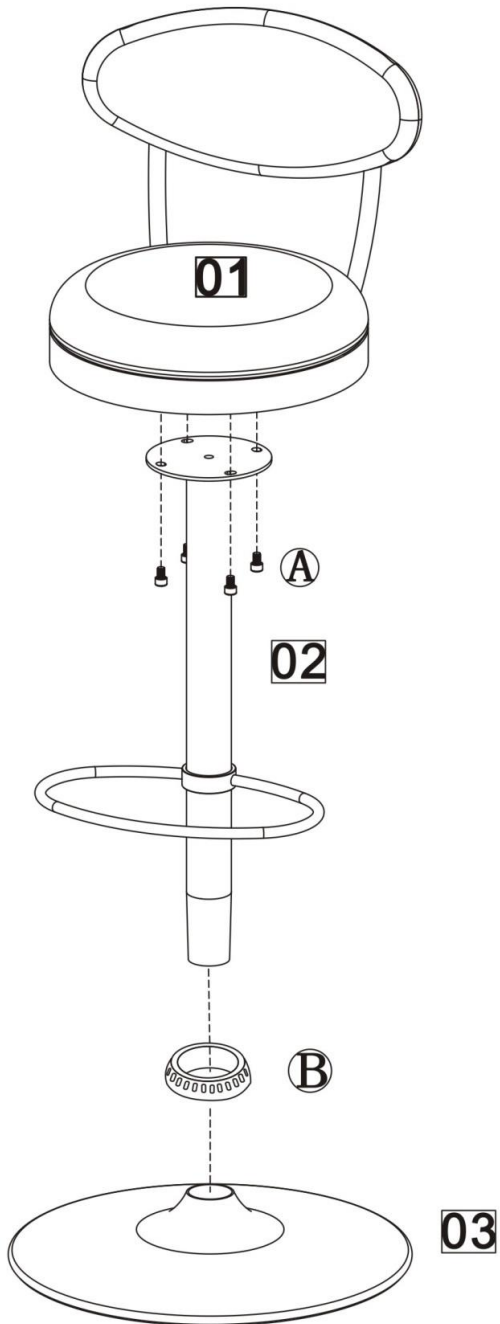
BS-030A

When adjusting, please make sure you've lifted the handle once then lift it again so it is parallel to the chair/floor. Be sure to lift the handle all the way up to allow the seat to adjust properly.



COMPONENT PARTS

FITTINGS



Ⓐ



Ⓑ



COMPONENT CHECKLIST

PART	No.	Qty.	
Seat	01	1	<input type="checkbox"/>
Bar	02	1	<input type="checkbox"/>
Base	03	1	<input type="checkbox"/>

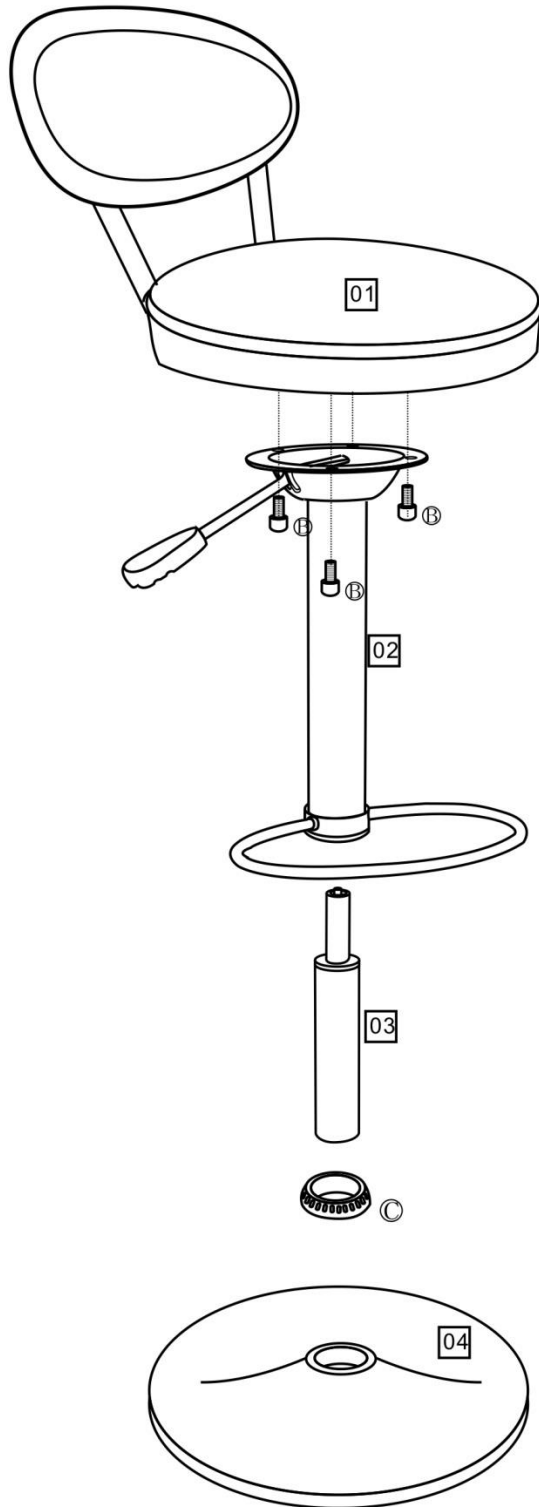
TOOLS REQUIRED



Allen key (supplied)

COMPONENT PARTS

FITTINGS



Ⓐ



*4

Ⓑ



*1

COMPONENT CHECKLIST

PART	No.	Qty.	
Seat	01	1	<input type="checkbox"/>
Bar	02	1	<input type="checkbox"/>
Lift	03	1	<input type="checkbox"/>
Base	04	1	<input type="checkbox"/>

TOOLS REQUIRED



Allen key (supplied)