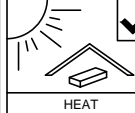




SOFT, DRY CLOTH



CHEMICAL



HEAT



KEEP DRY



HANDLE WITH CARE



DO NOT USE KNIFE

ASSEMBLY INSTRUCTION

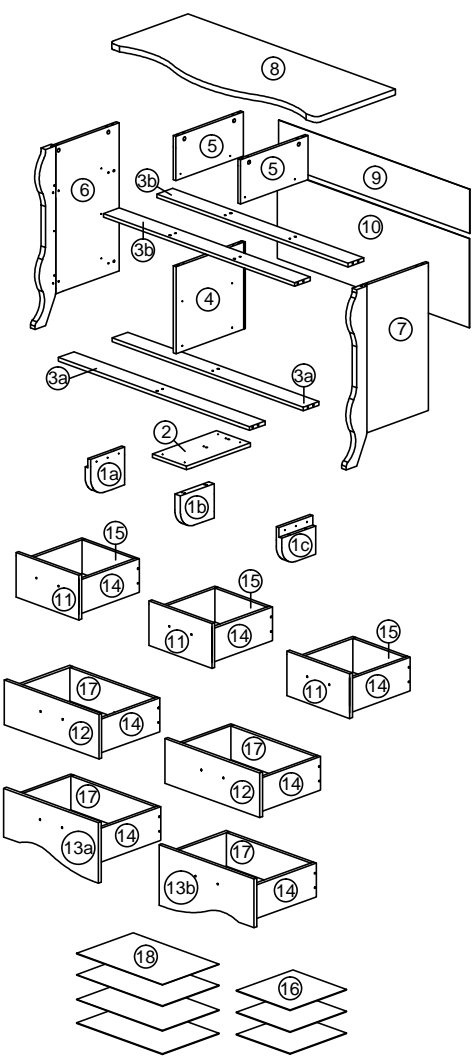
MODEL : BR 990065

DESCRIPTION : 7 DRAWER DESSER

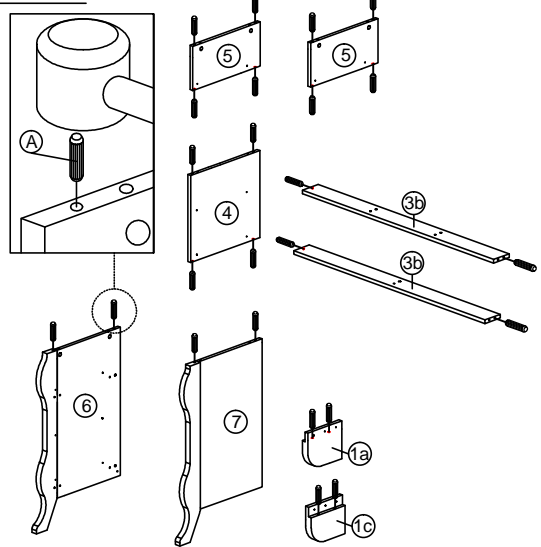
HARDWARE

A WOOD DOWEL M8 X 25 24	B B1 B2 MINIFIX 5654+5546 20 20	C MINIFIX CAP 20	D CB SCREW M3.5X16MM 84	E CB SCREW M4X25MM 10	F CB SCREW M4X38MM 56	G HANDLE 010 7	H HANDLE SCREW M4X32MM 14	I CSK CAP WOOD M6X50MM 12	J L KEY M4 1	K NAIL 5/8 98	L DRAWER SLIDE 14" 7 SETS
---	--	-----------------------------------	---	---	---	------------------------------------	---	--	-------------------------------	--------------------------------	--

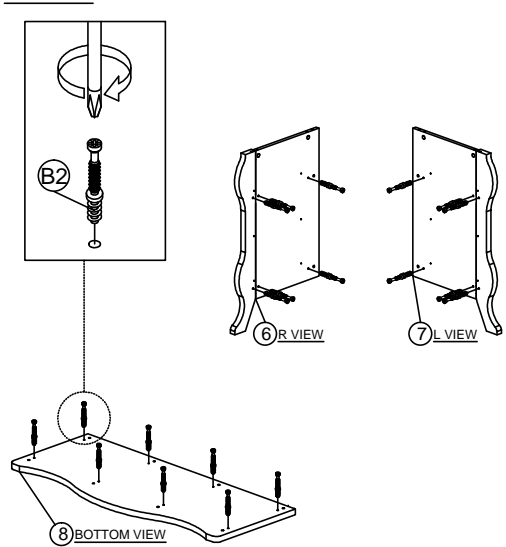
PART LIST



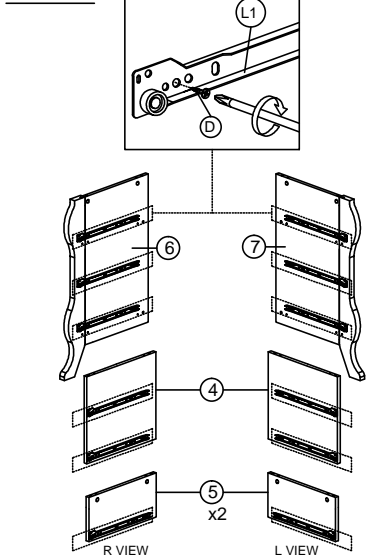
STEP 1



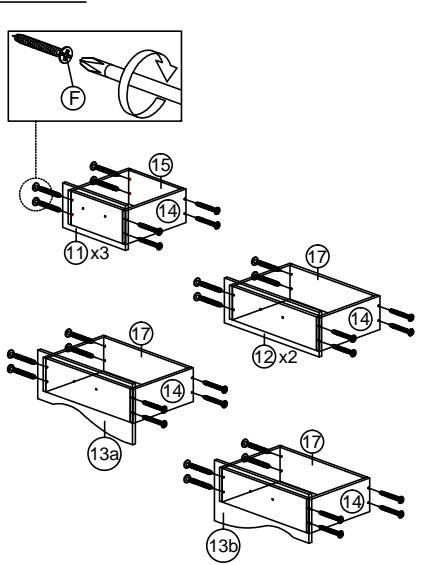
STEP 2



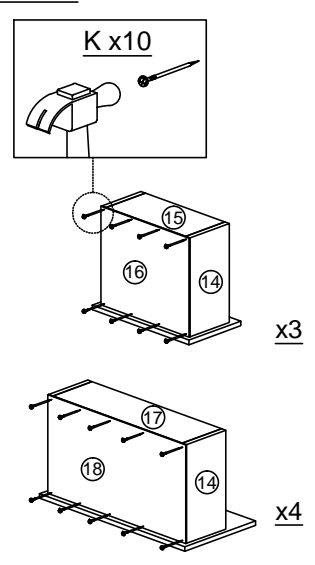
STEP 3



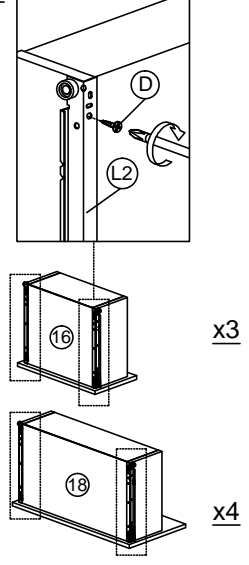
STEP 4



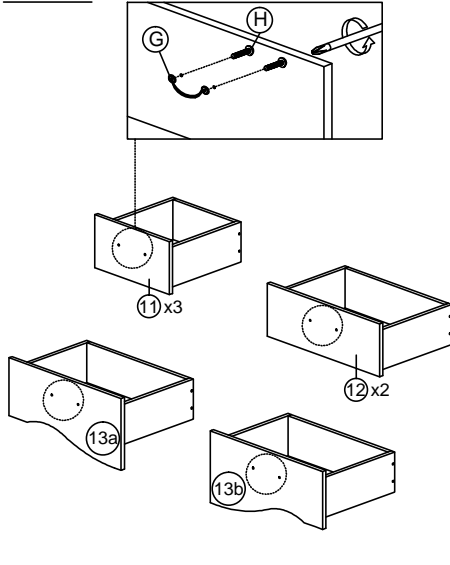
STEP 5

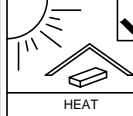
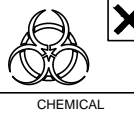


STEP 6



STEP 7



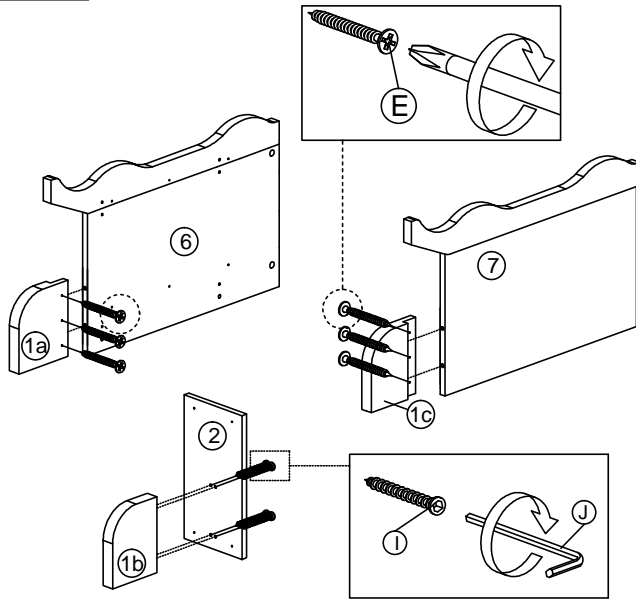


ASSEMBLY INSTRUCTION

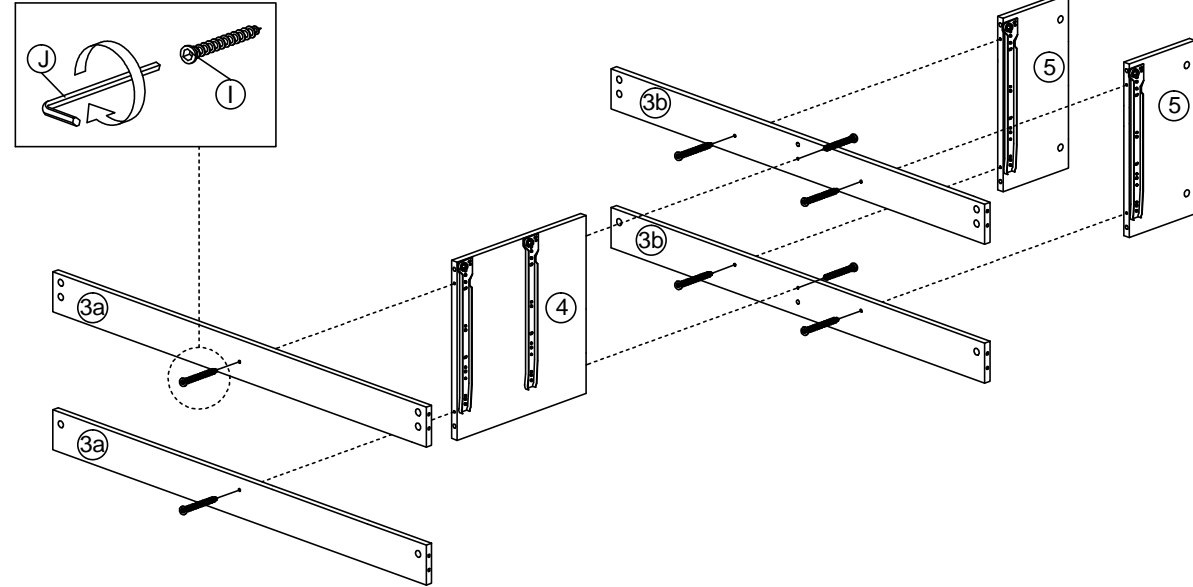
MODEL : BR 990065

DESCRIPTION : 7 DRAWER DESSER

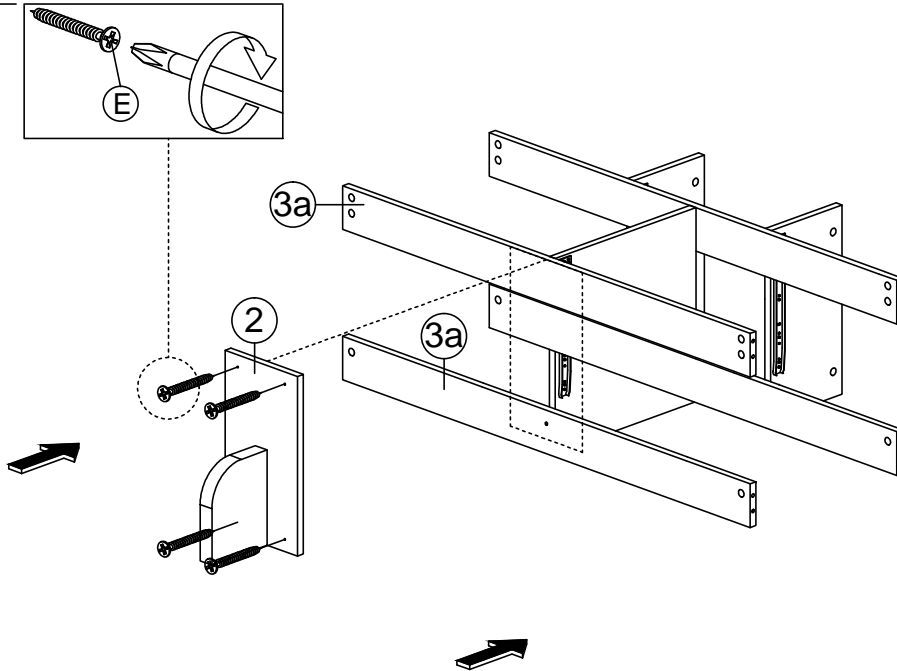
STEP 8



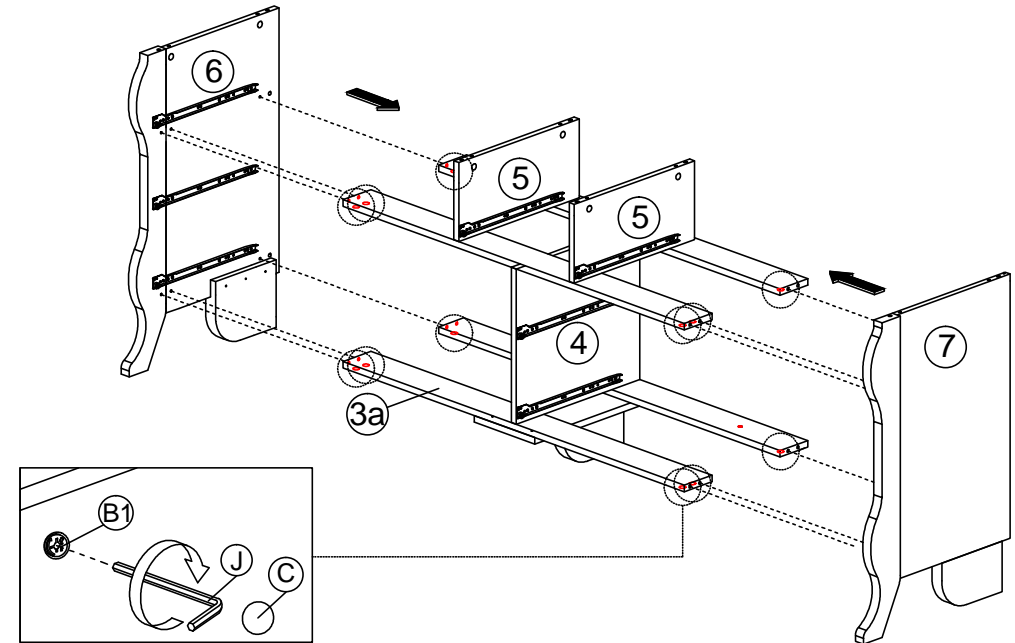
STEP 9

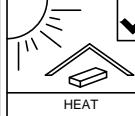
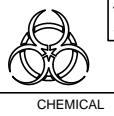


STEP 10



STEP 11



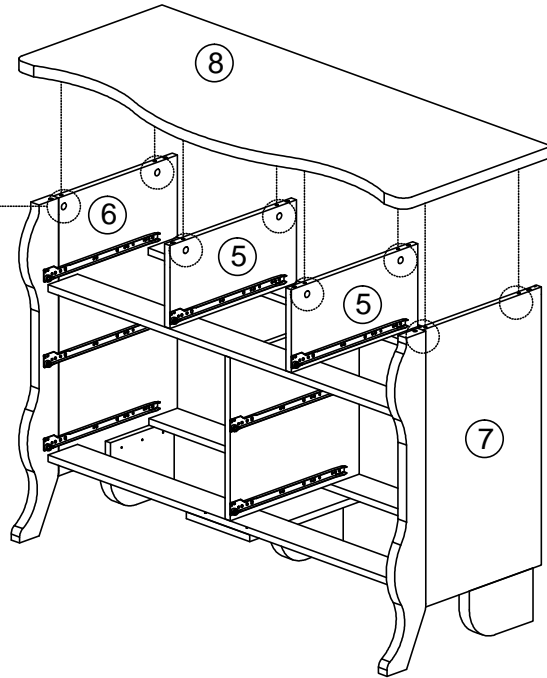
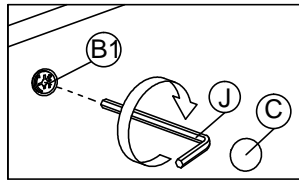


ASSEMBLY INSTRUCTION

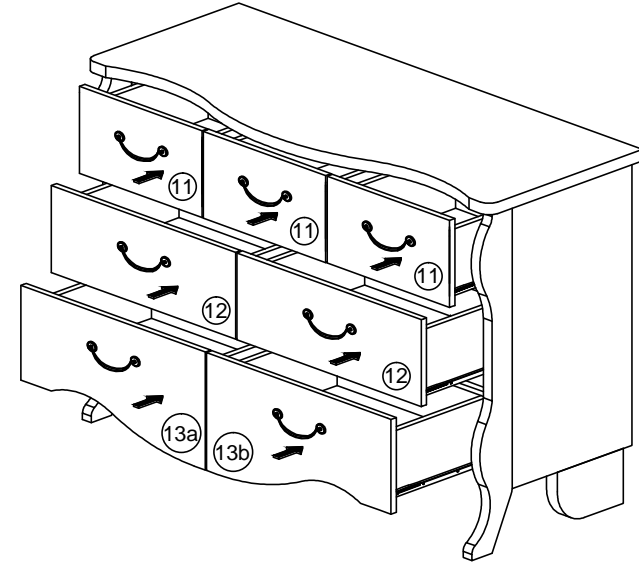
MODEL : BR 990065

DESCRIPTION : 7 DRAWER DESSER

STEP 12



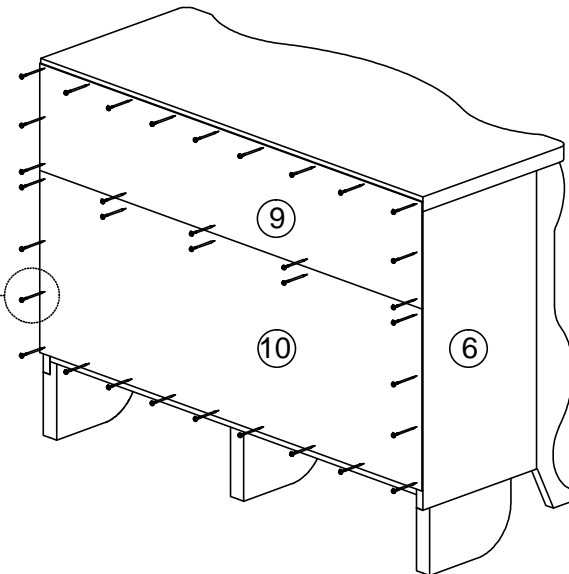
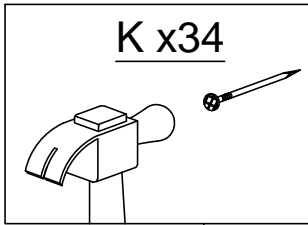
STEP 13

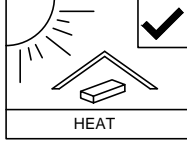
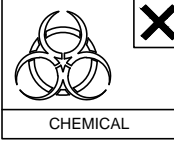


COMPLETED



STEP 14





ASSEMBLY INSTRUCTION

MODEL : BR 990065

DESCRIPTION : 7 DRAWER DESSER

ANTI STOPPER

V	W	X	Y	Z
WASHER X4	SAFETY STRAP X2	PLASTIC WALL ANCHOR-RED X2	CB SCREW M3.5X16MM X2	CB SCREW M4X38MM X2

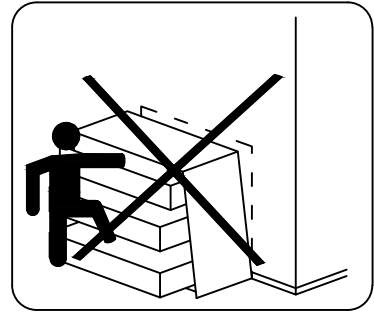
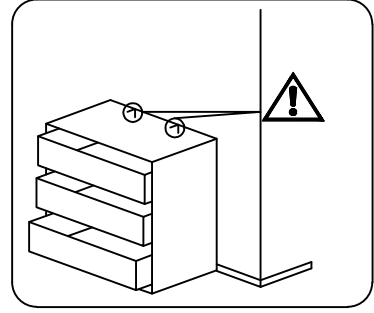
1.

2.

3.

4.

5.



! WARNING

Serious of fatal crushing injuries can occur from furniture tipover. To help prevent tip-over:

- Install tip over restraint provided.
- Place heaviest items in the lower drawers.
- Unless specifically designed to accommodate, do not set TVs or other heavy object on top of this product.
- Never allow children to climb or hang on drawers, doors or shelves.
- Never open more than one drawer at a time. (OR)
- Do not defeat or remove the drawer interlock system.

Use of tipover restraints may only reduce, but not eliminate, the risk of tipover.

This is a permanent label. Do not remove.