

ASSEMBLY INSTRUCTION

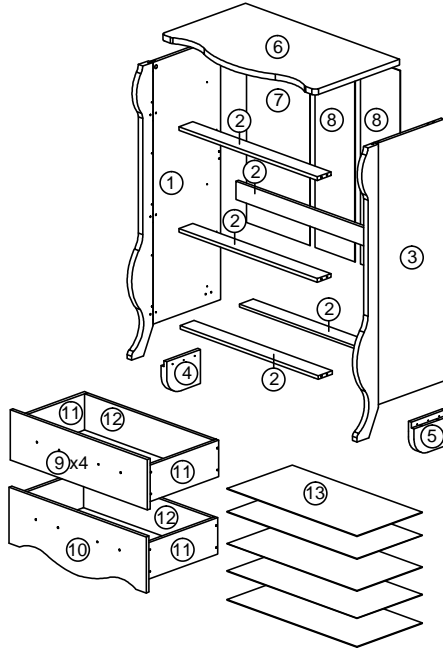
MODEL : BR 990064

DESCRIPTION : 5 DRAWER CHEST

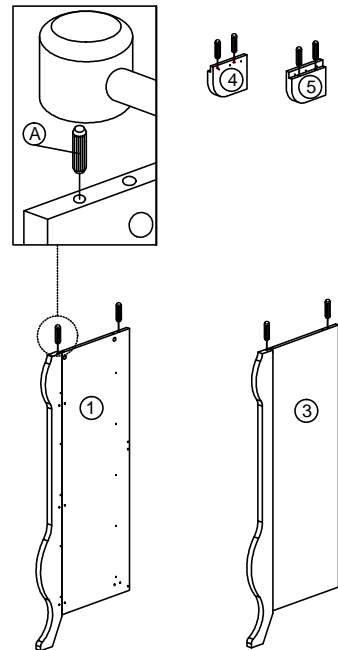
HARDWARE

| | | | | | | | | | | |
|--|---|-----------------------------------|---|--|---|-------------------------------------|---|-------------------------------|--------------------------------|---|
| A WOOD DOWEL M8 X 25 8 | B B1 B2 MINIFIX 5654+5546 24 24 | C MINIFIX CAP 24 | D CB SCREW M3.5X16MM 60 | E CB SCREW M4X25MM 6 | F CB SCREW M4X38MM 40 | G HANDLE 010 10 | H HANDLE SCREW M4X32MM 20 | I L KEY M4 1 | J NAIL 5/8 80 | K K1 K2 DRAWER SLIDE 16" 5 SETS |
|--|---|-----------------------------------|---|--|---|-------------------------------------|---|-------------------------------|--------------------------------|---|

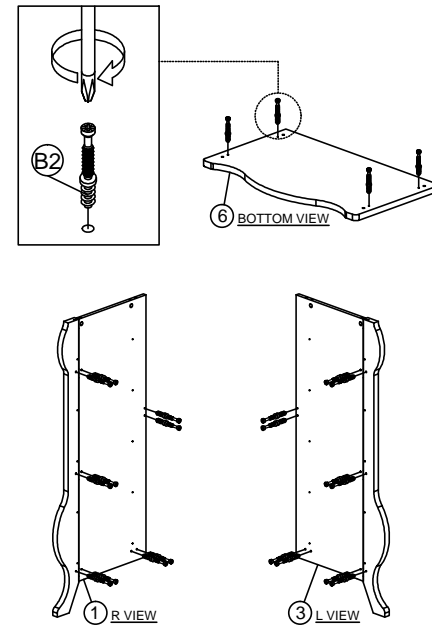
PART LIST



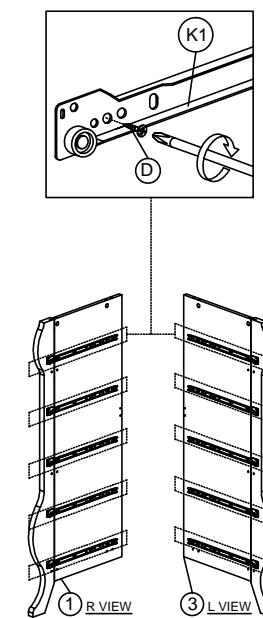
STEP 1



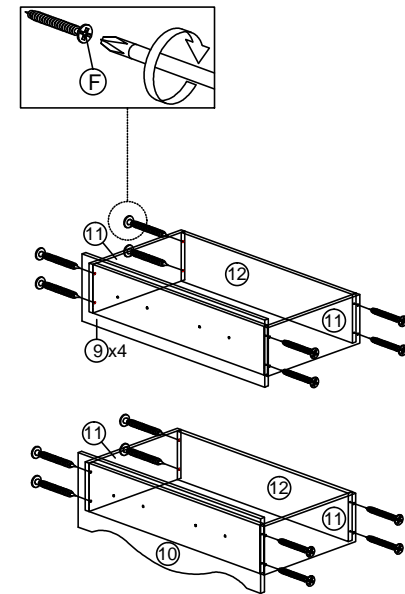
STEP 2



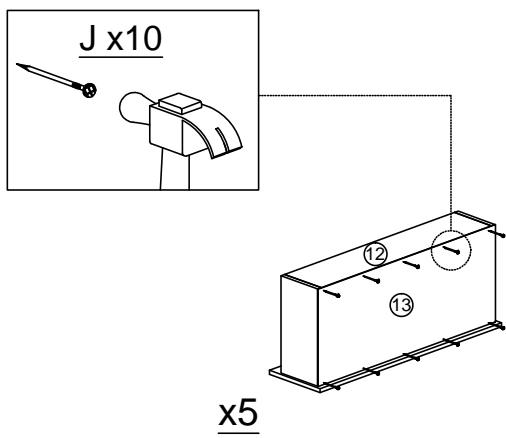
STEP 3



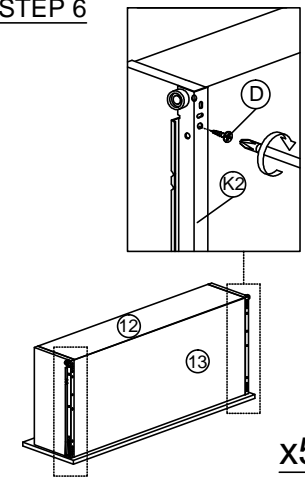
STEP 4



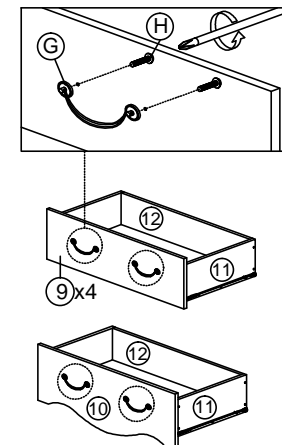
STEP 5



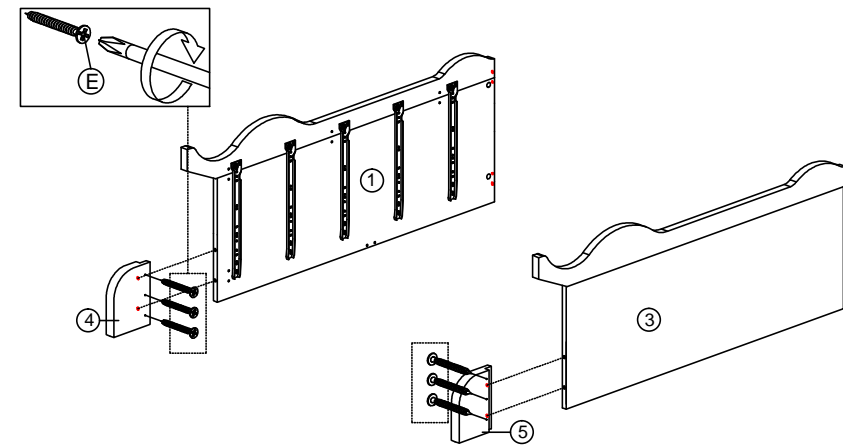
STEP 6

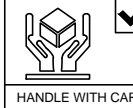
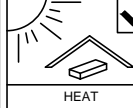


STEP 7



STEP 8



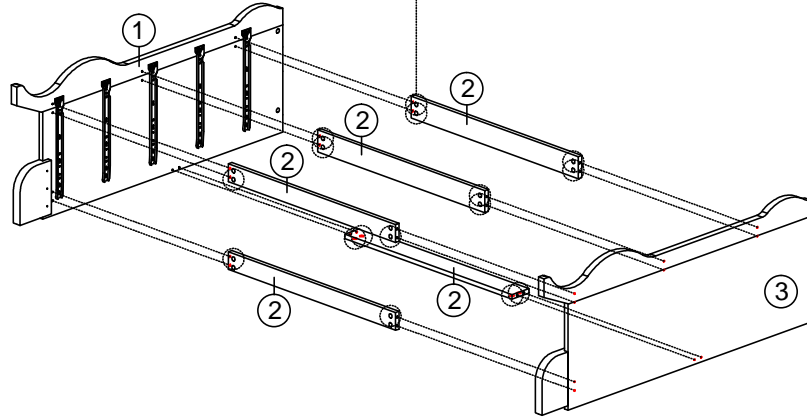
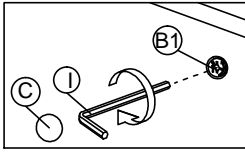


ASSEMBLY INSTRUCTION

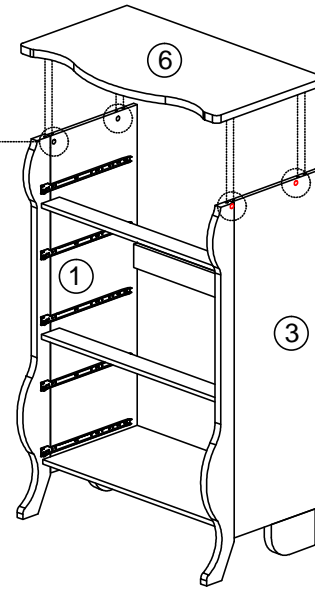
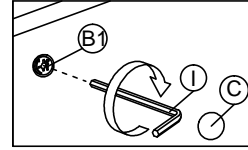
MODEL : BR 990064

DESCRIPTION : 5 DRAWER CHEST

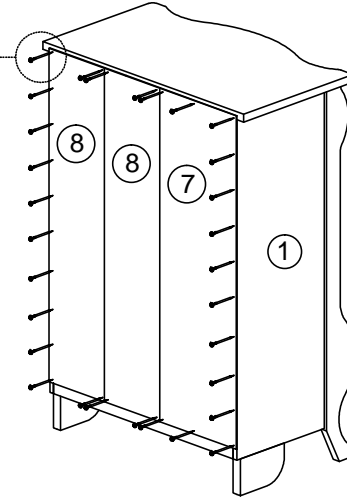
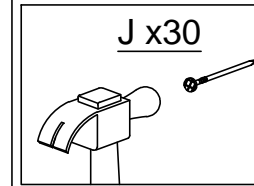
STEP 9



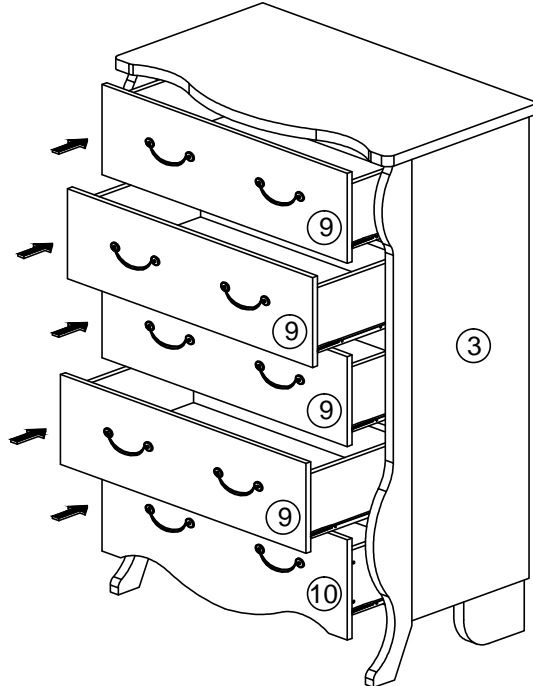
STEP 10



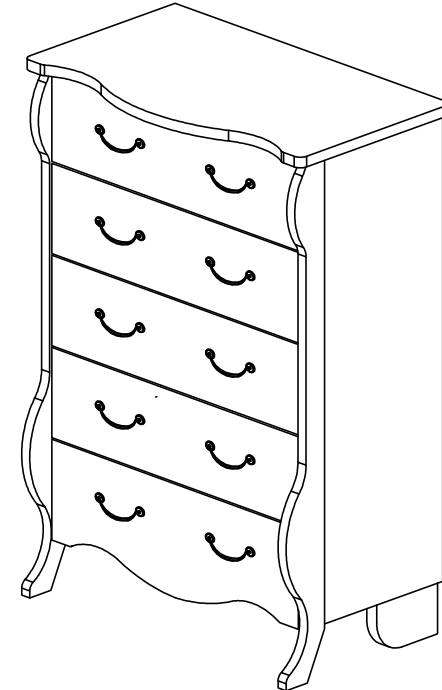
STEP 11



STEP 12

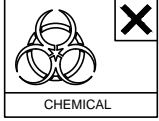


COMPLETED

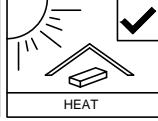




SOFT, DRY CLOTH



CHEMICAL



HEAT



KEEP DRY



HANDLE WITH CARE



DO NOT USE KNIFE

ASSEMBLY INSTRUCTION

MODEL : BR 990064

DESCRIPTION : 5 DRAWER CHEST

ANTI STOPPER

| | | | | |
|--------------|--------------------|-------------------------------|-----------------------------|---------------------------|
| V | W | X | Y | Z |
| | | | | |
| WASHER X4 | SAFETY STRAP X2 | PLASTIC WALL ANCHOR-RED X2 | CB SCREW M3.5X16MM X2 | CB SCREW M4X38MM X2 |

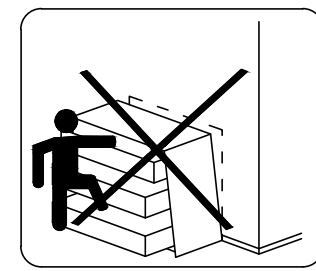
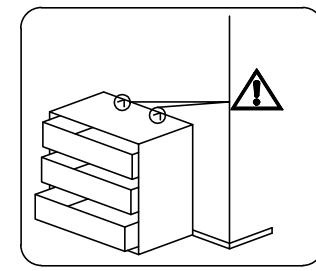
1.

2.

3.

4.

5.



⚠ WARNING

Serious or fatal crushing injuries can occur from furniture tipover. To help prevent tip-over:

- Install tip over restraint provided.
- Place heaviest items in the lower drawers.
- Unless specifically designed to accommodate, do not set TVs or other heavy object on top of this product.
- Never allow children to climb or hang on drawers, doors or shelves.
- Never open more than one drawer at a time. (OR)
- Do not defeat or remove the drawer interlock system.

Use of tipover restraints may only reduce, but not eliminate, the risk of tipover.

This is a permanent label. Do not remove.