

ASSEMBLY INSTRUCTION

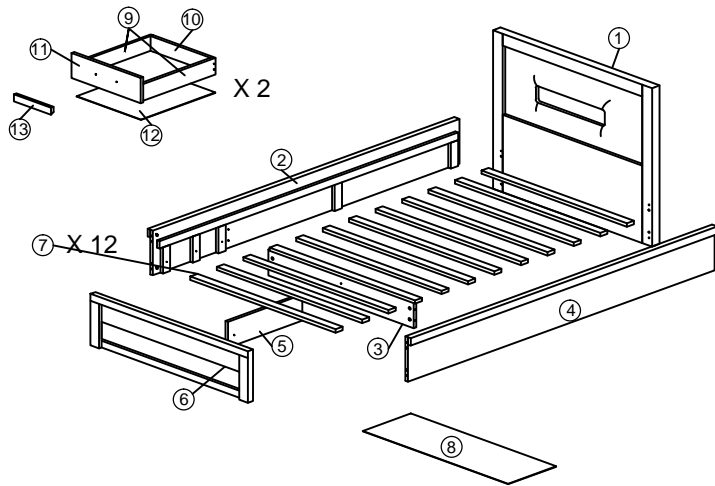
MODEL : BR 990051

DESC: SINGER BED WITH 2 DRAWERS

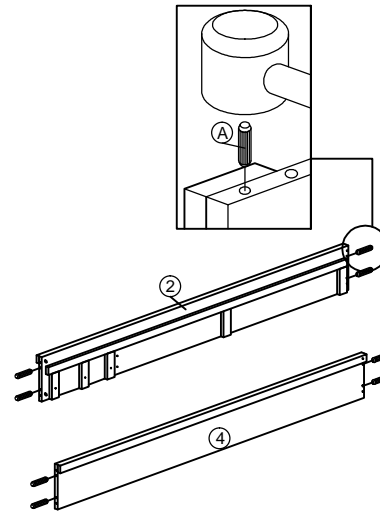
HARDWARE

A WOOD DOWEL 8 X 25 8	B 70MM CSK CAP WOOD M6X70MM 4	C 50MM CSK CAP WOOD M6X50MM 2	D 16MM CB SCREW M3.5X16MM 26	E 38MM CB SCREW M4X38MM 20	F MINIFIX CAP 9	G G1 G2 MINIFIX 5654+5546 9 SETS	H L KEY 1	I I1 I2 DRAWER SLIDE 18" 2 SET	J NAIL 5/8 20	K L BRACKET M502 1	L 32MM CB SCREW M4X32MM 8
---	--	--	---	---	----------------------------------	--	----------------------------	--	--------------------------------	--	--

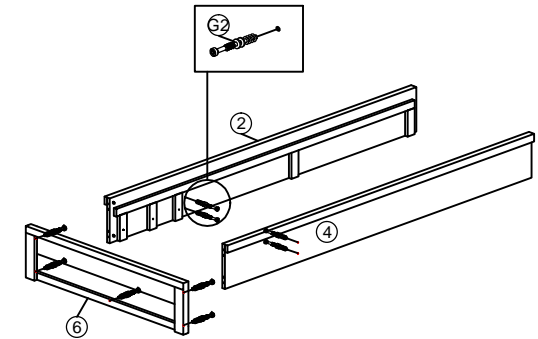
PART LIST



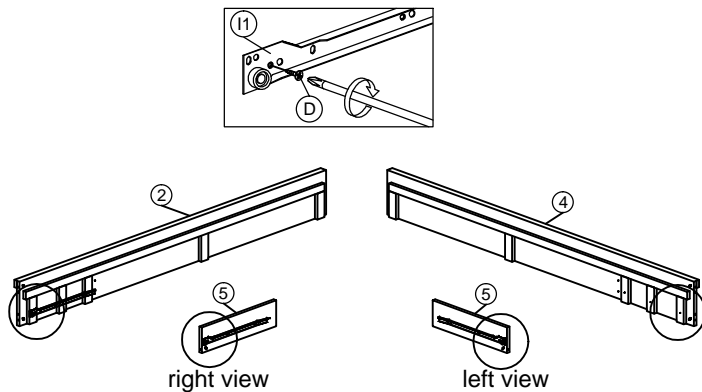
STEP 1



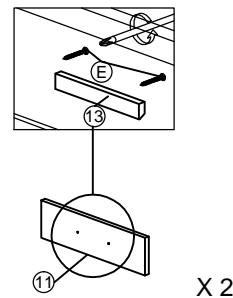
STEP 2



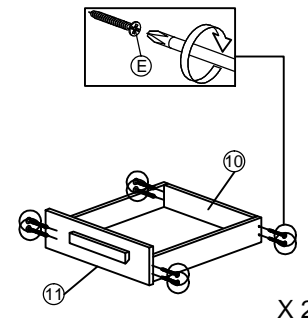
STEP 3



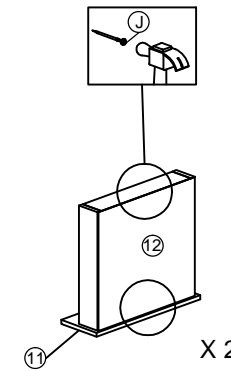
STEP 4



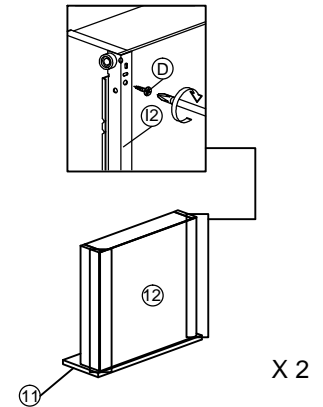
STEP 5



STEP 6



STEP 7

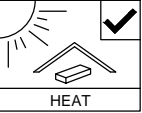




SOFT, DRY CLOTH



CHEMICAL



HEAT



KEEP DRY



HANDLE WITH CARE



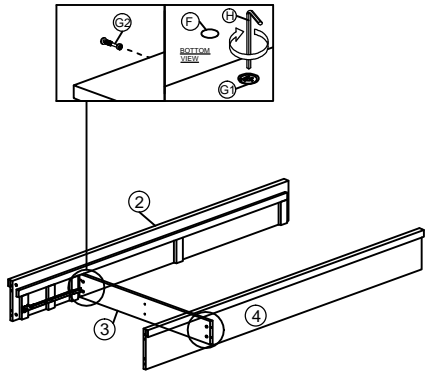
DO NOT USE KNIFE

ASSEMBLY INSTRUCTION

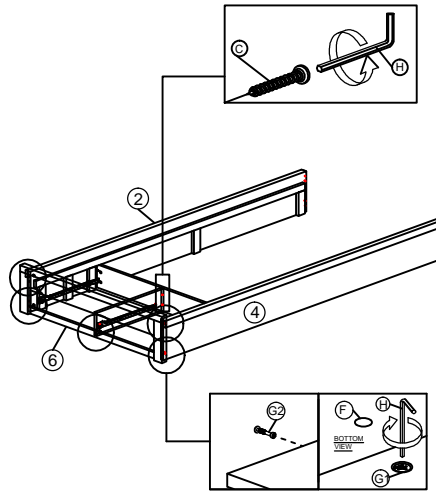
MODEL : BR 990051

DESC: SINGER BED WITH 2 DRAWERS

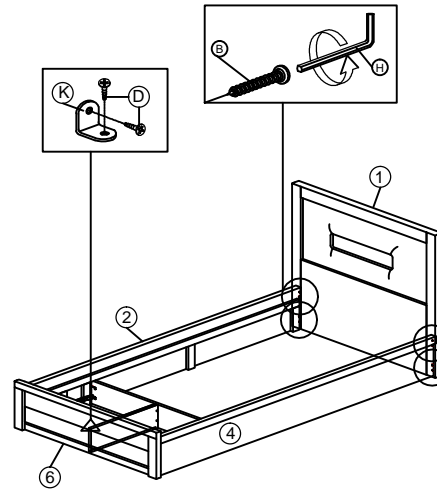
STEP 8



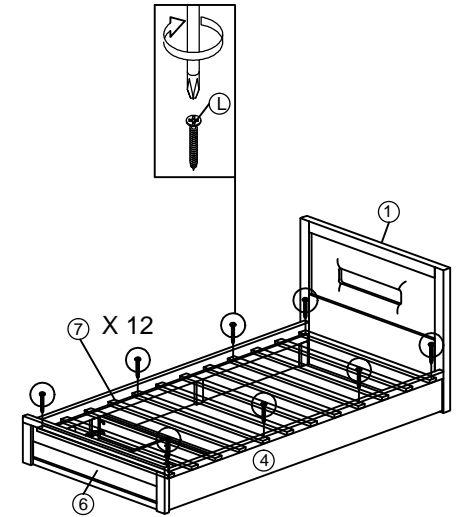
STEP 9



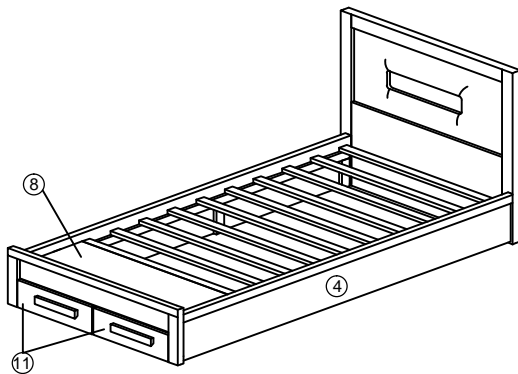
STEP 10



STEP 11



STEP 12



COMPLETED

