

# ASSEMBLY INSTRUCTION

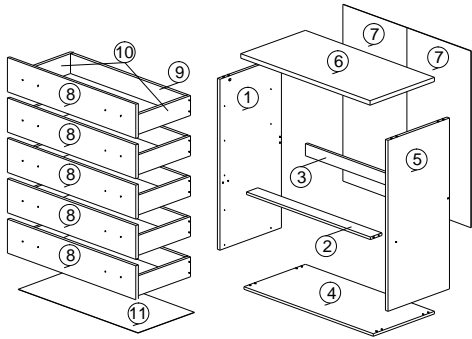
MODEL : BR 888025

DESCRIPTION : 5 DRAWERS CHEST

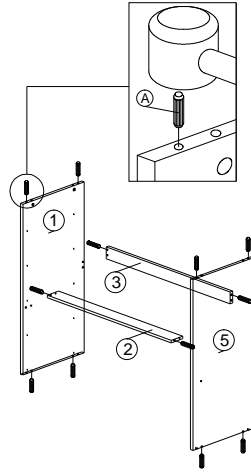
HARDWARE

|  |   |   |   |                                  |                              |                                       |  |   |   |   |
|--|---|---|---|----------------------------------|------------------------------|---------------------------------------|--|---|---|---|
| <b>A</b><br><br>WOOD DOWEL<br>8 X 25<br>1X12 | <b>B</b><br><br>16MM<br>CB SCREW<br>M3.5X16MM<br>1X76 | <b>C</b><br><br>38MM<br>CB SCREW<br>M4X38MM<br>1X60 | <b>D</b><br><br>50MM<br>CSK CAP<br>WOOD<br>M6X50MM<br>1X8 | <b>E</b><br><br>NAIL 5/8<br>1X80 | <b>F</b><br><br>L KEY<br>1X1 | <b>G</b><br><br>MINIFIX<br>CAP<br>1X8 | <b>H</b><br><br>H1 H2<br>MINIFIX 5654+5546<br>4 SETS | <b>I</b><br><br>MOON HANDLE<br>96MM (PVC)<br>1X10 | <b>J</b><br><br>J1 J2<br>DRAWER SLIDE 14"<br>5 SETS | <b>K</b><br><br>38100 PVC<br>LEG<br>1X4 |
|--|---|---|---|----------------------------------|------------------------------|---------------------------------------|--|---|---|---|

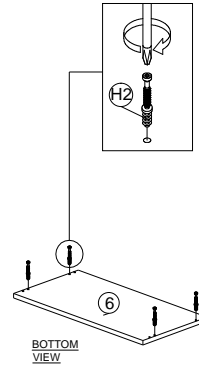
## PART LIST



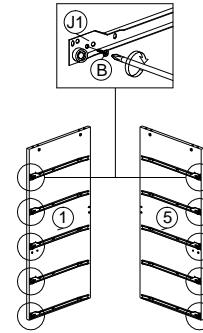
## STEP 1



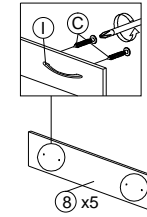
## STEP 2



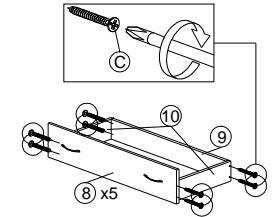
## STEP 3



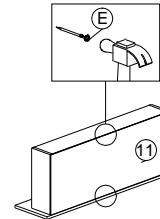
## STEP 4



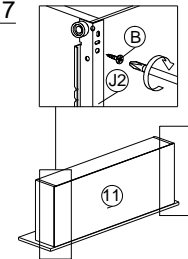
## STEP 5



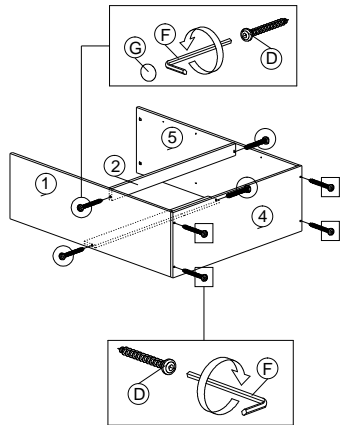
## STEP 6



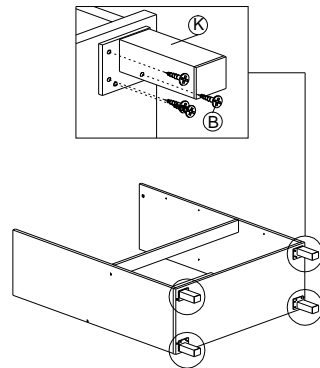
## STEP 7



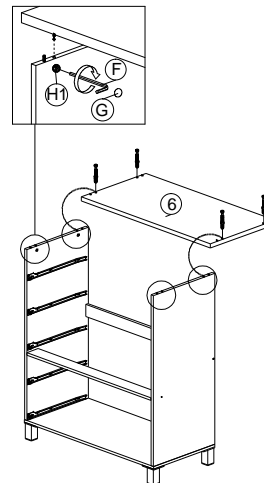
## STEP 8



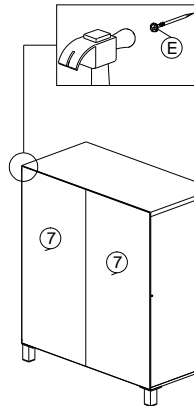
## STEP 9



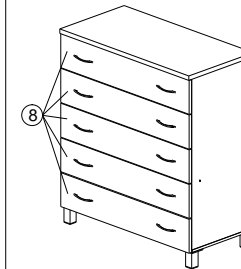
## STEP 10



## STEP 11



## STEP 12



## COMPLETED

