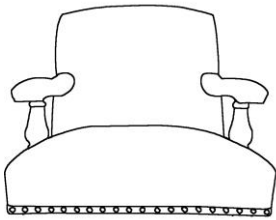
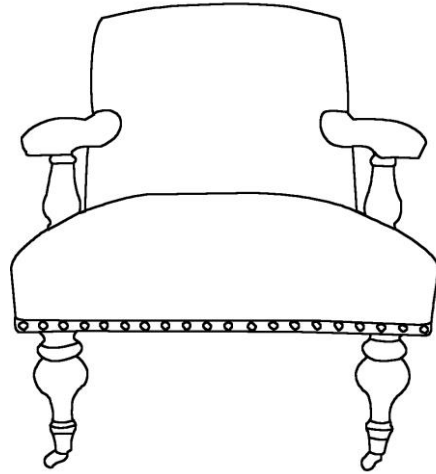


LEGS INSTALLATION INSTRUCTION



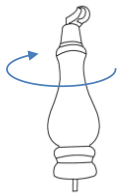
(1)*1PCS



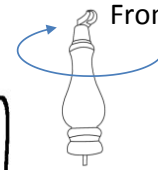
Front legs*2PCS



Back legs*2PCS

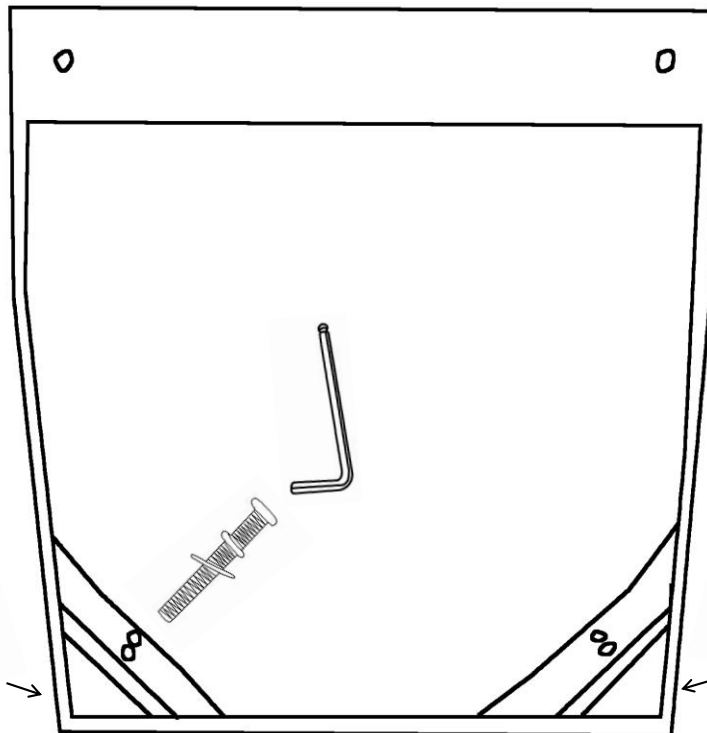


Front leg



Front leg

Back leg



Back leg