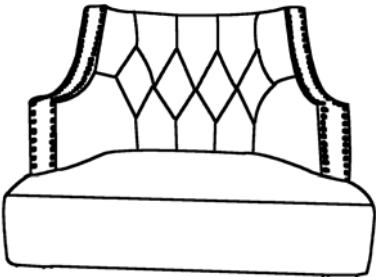
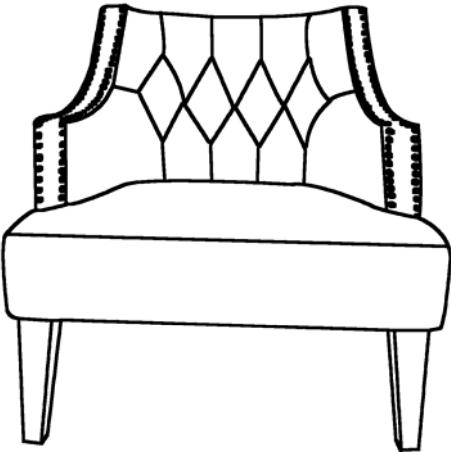


LEGS INSTALLATION INSTRUCTION



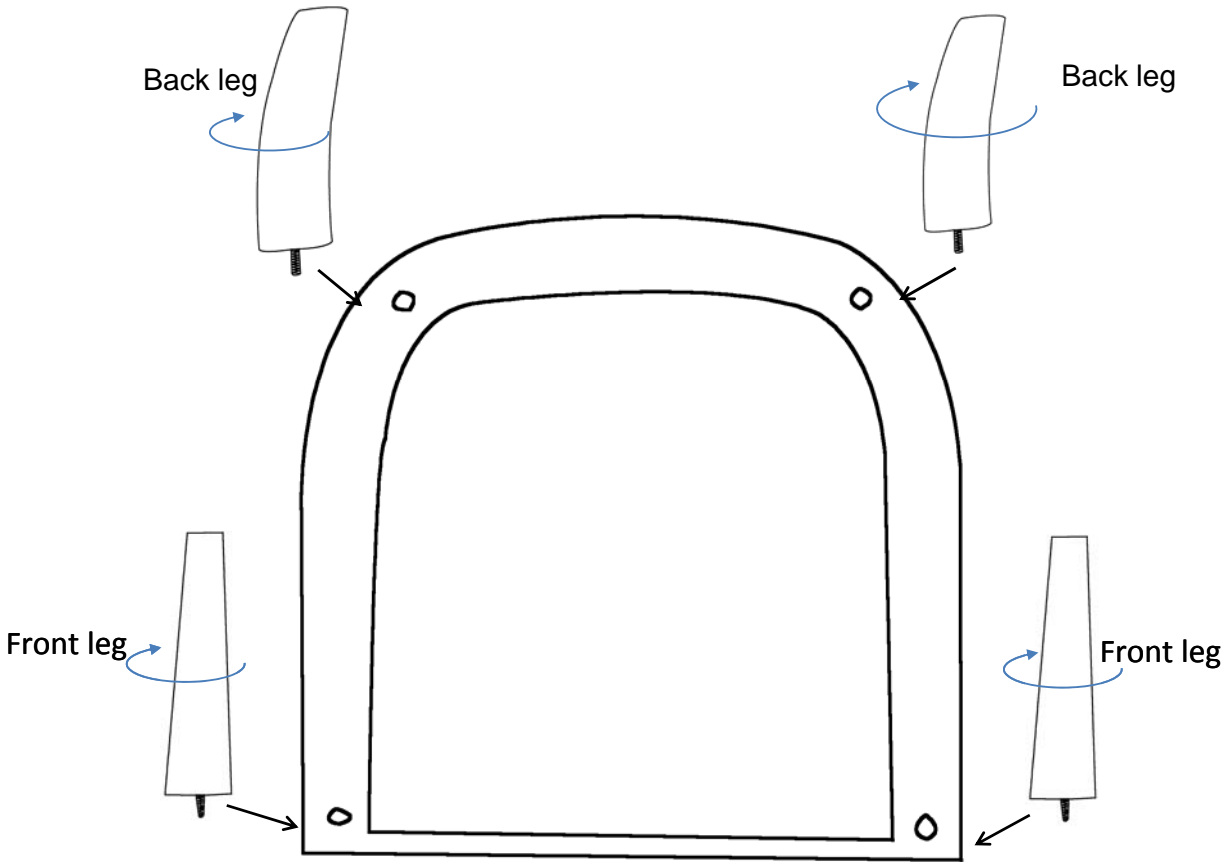
(1)*1PCS



Front legs*2PCS



Back legs*2PCS



Front