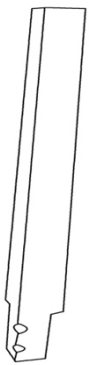
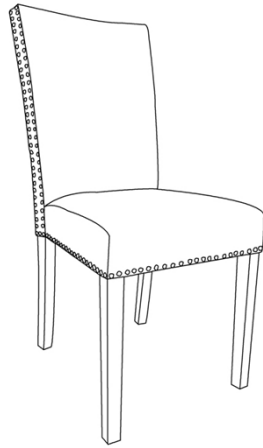


# LEGS INSTALLATION INSTRUCTION

ITEM NO.:63113KD



front leg\*2PCS



Metal Gasket 9 pcs



Screw 9pcs

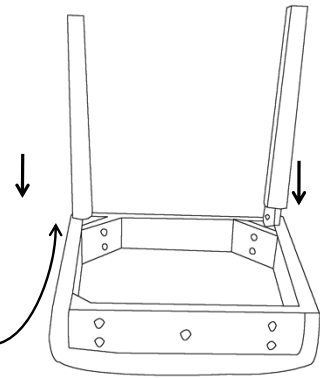


Spring Washer 9pcs



Wrench 1pcs

## STEP 1



## STEP 2

Insert the threaded stem into the threaded hole

