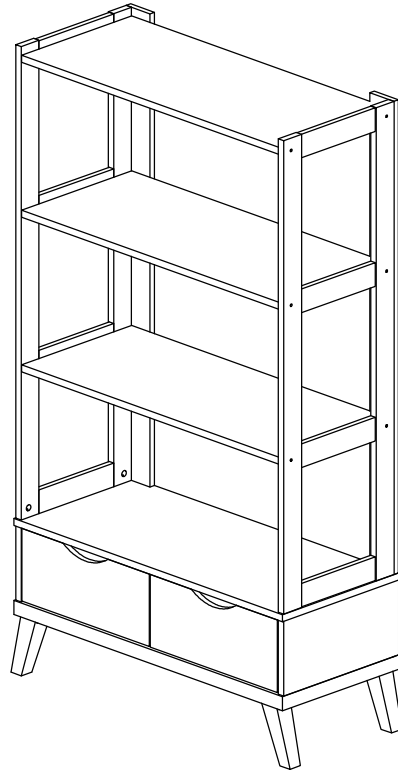
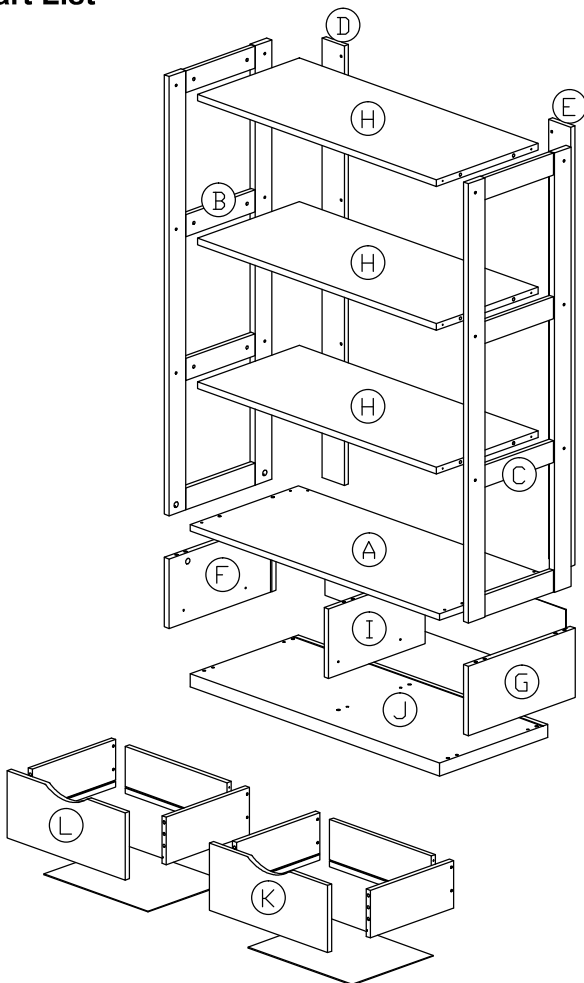


Assembly Instruction


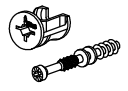









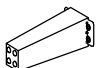
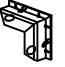
Model : WI6467



Part List



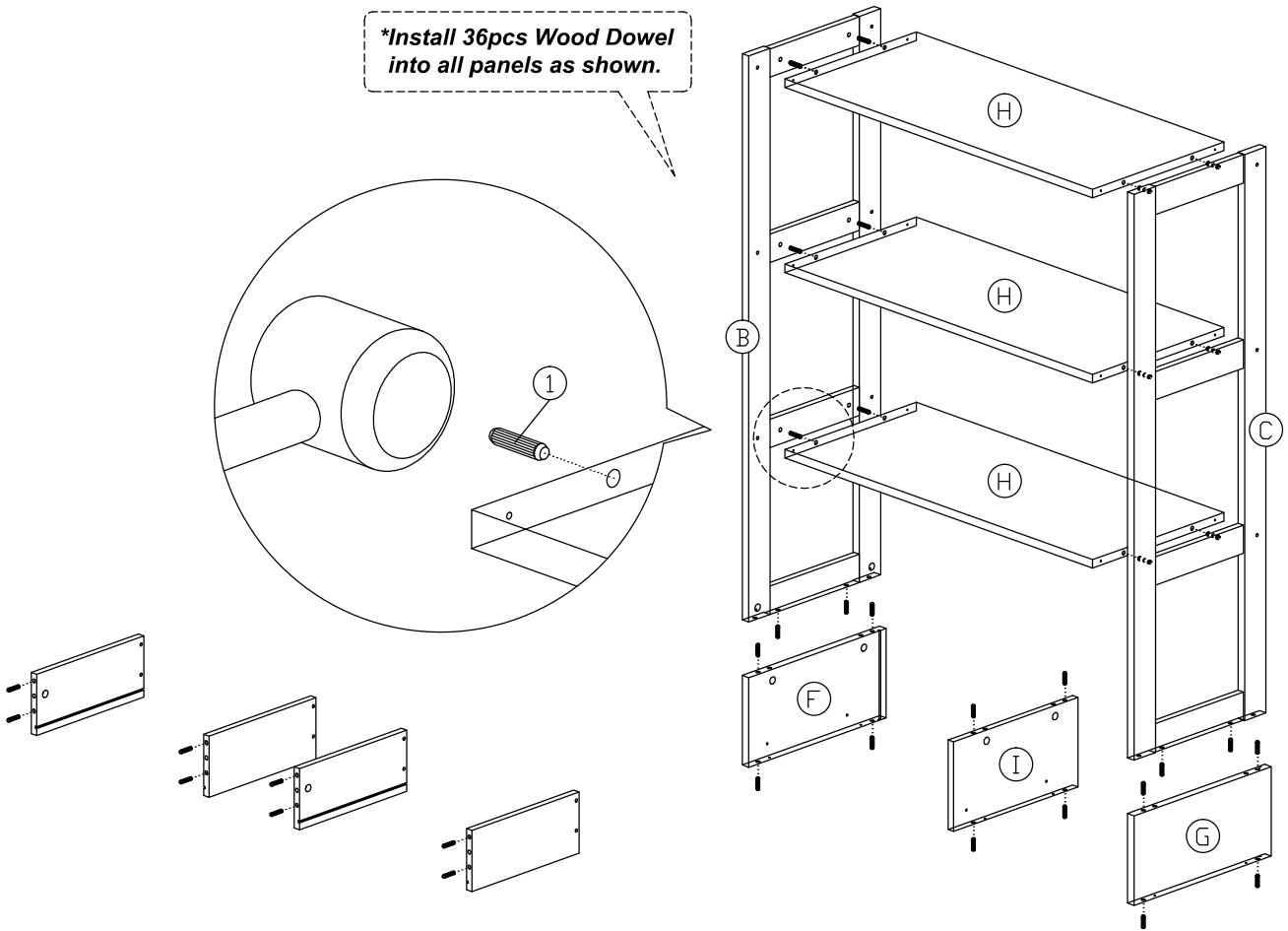
Hardware List

No.	SHAPE	DESCRIPTION	Qty.
1		8x25mm Wood Dowel	36Pcs
2		15MM Titus Mini Fix	16Sets
3		M5x8mm Screw (Euro Screw)	8Pcs
4		M3.5x15mm Screw	24Pcs
5		M3x16mm Screw	4Pcs
6		M4x38mm Screw	20Pcs
7		M4x45mm Screw	12Pcs
8		M4x65mm Screw	6Pcs
9		Drawer Slide = 300mm	2Sets
10		Screw Cap	12Pcs
11		15mm Minifix Cap	8Pcs
12		OS 140mm Long Tapper (Gold)	4Pcs
13		Z Bracket (Big)	2Pcs

Assembly Instruction

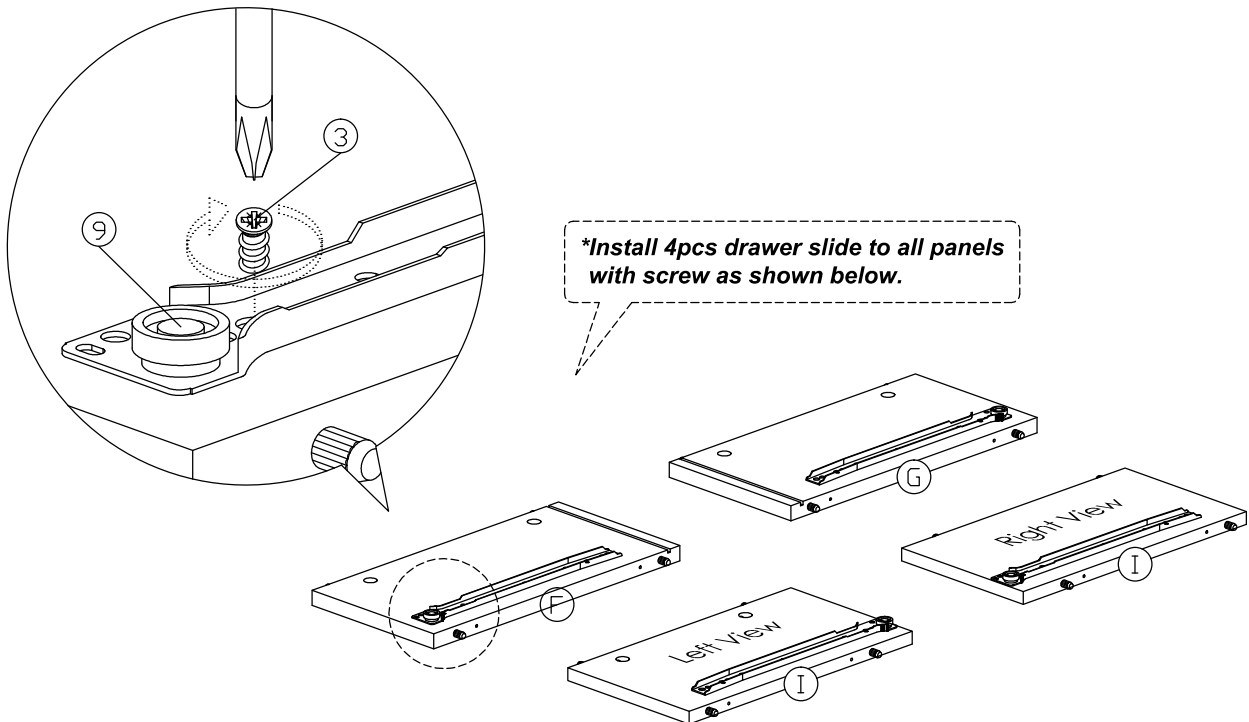
Step 1

**Install 36pcs Wood Dowel into all panels as shown.*



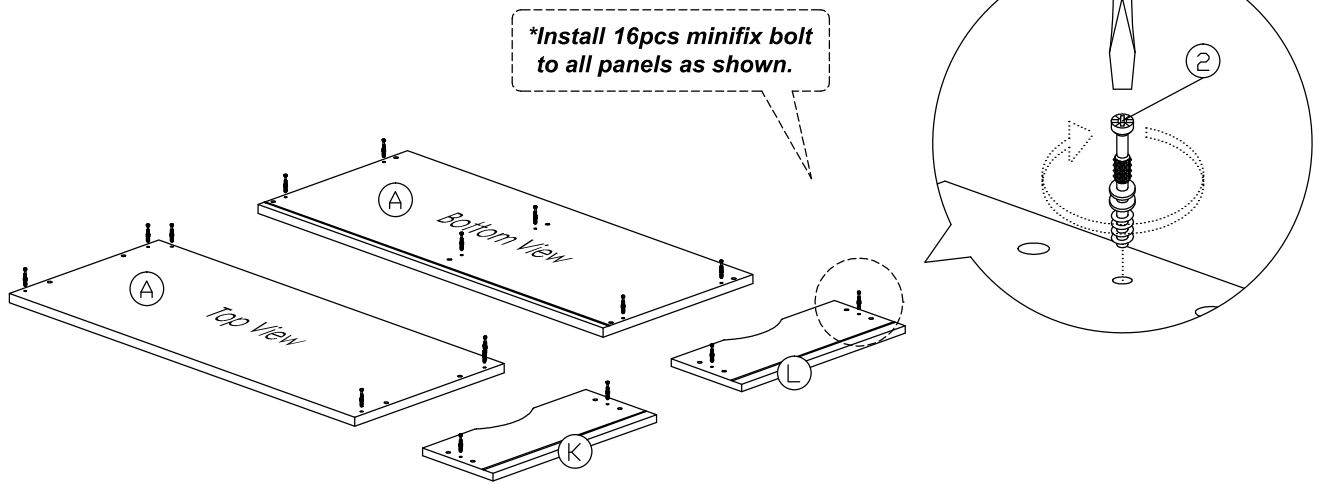
Step 2

**Install 4pcs drawer slide to all panels with screw as shown below.*

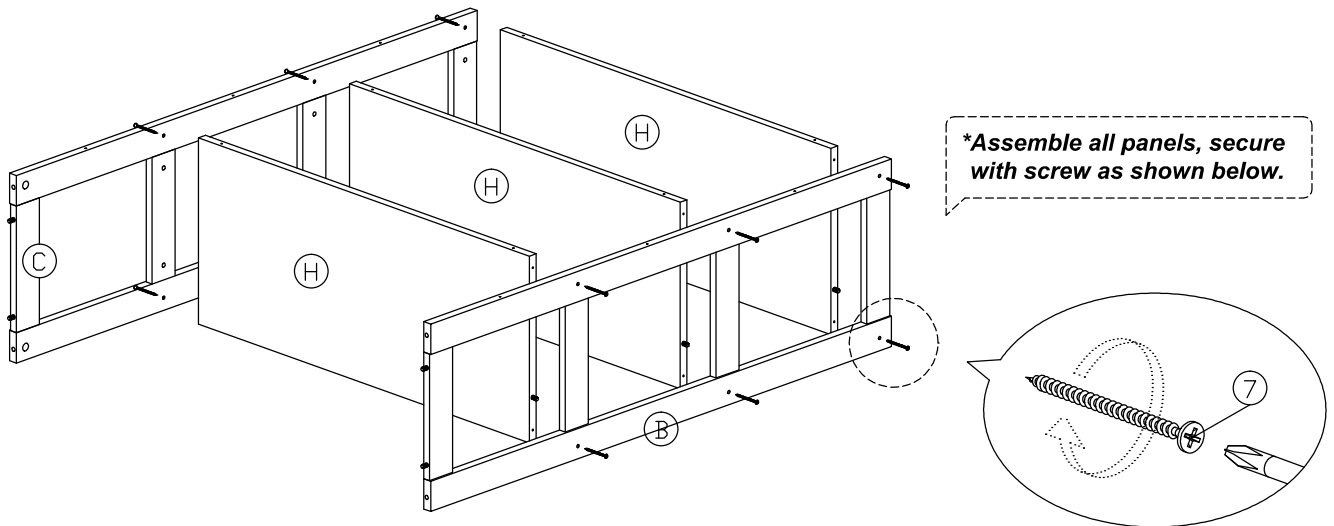


Assembly Instruction

Step 3

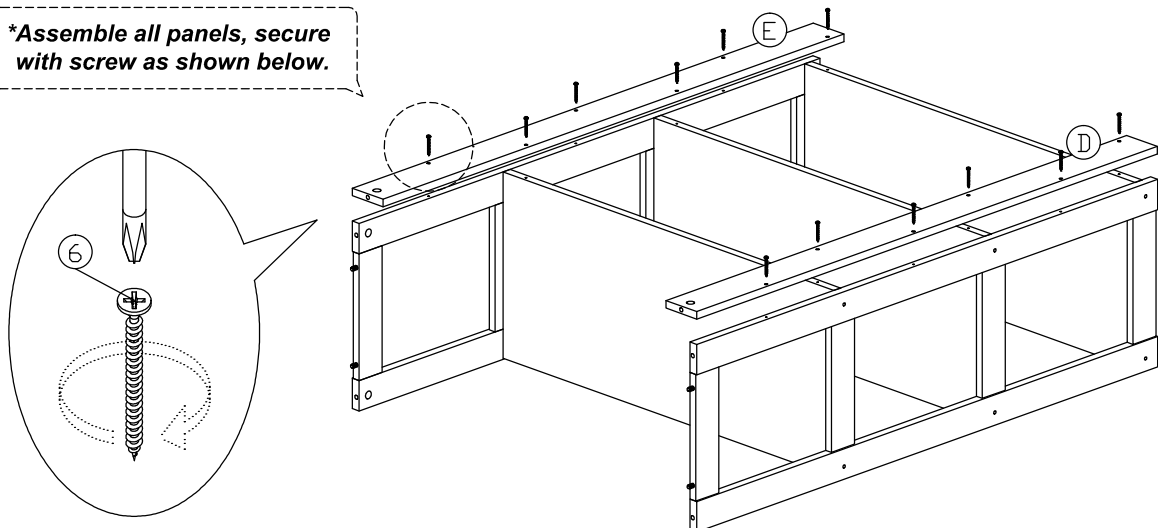


Step 4



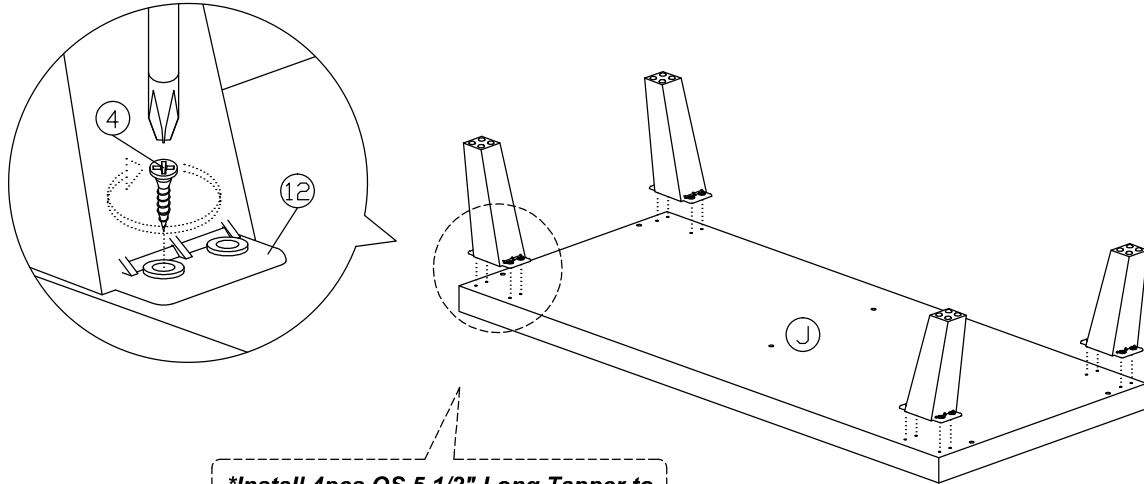
Step 5

**Assemble all panels, secure with screw as shown below.*



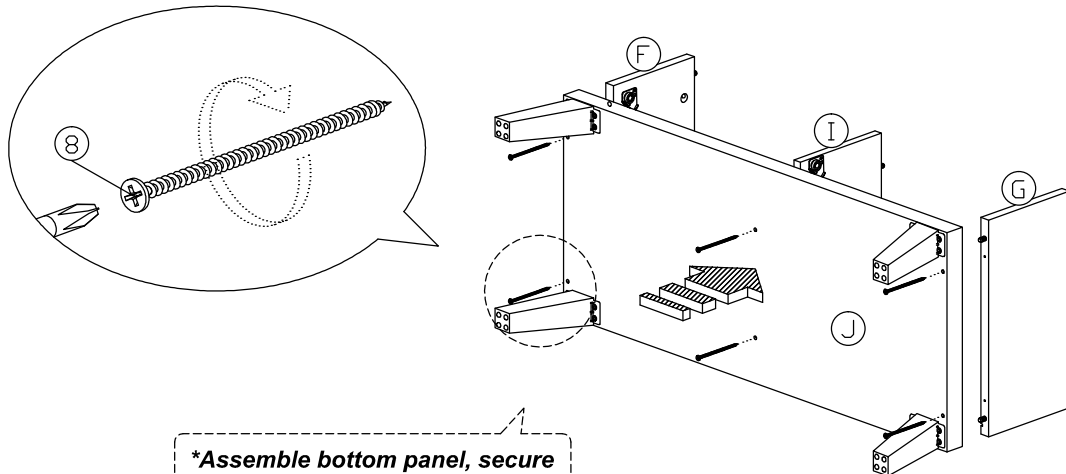
Assembly Instruction

Step 6



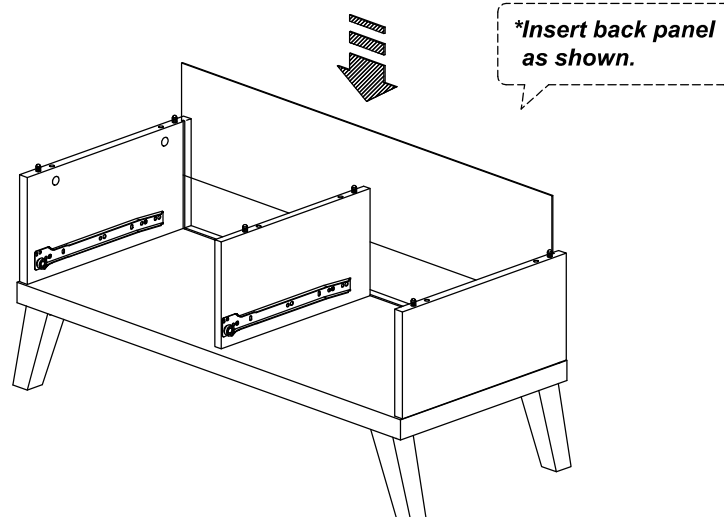
**Install 4pcs OS 5 1/2" Long Taper to panel with screw as shown above.*

Step 7



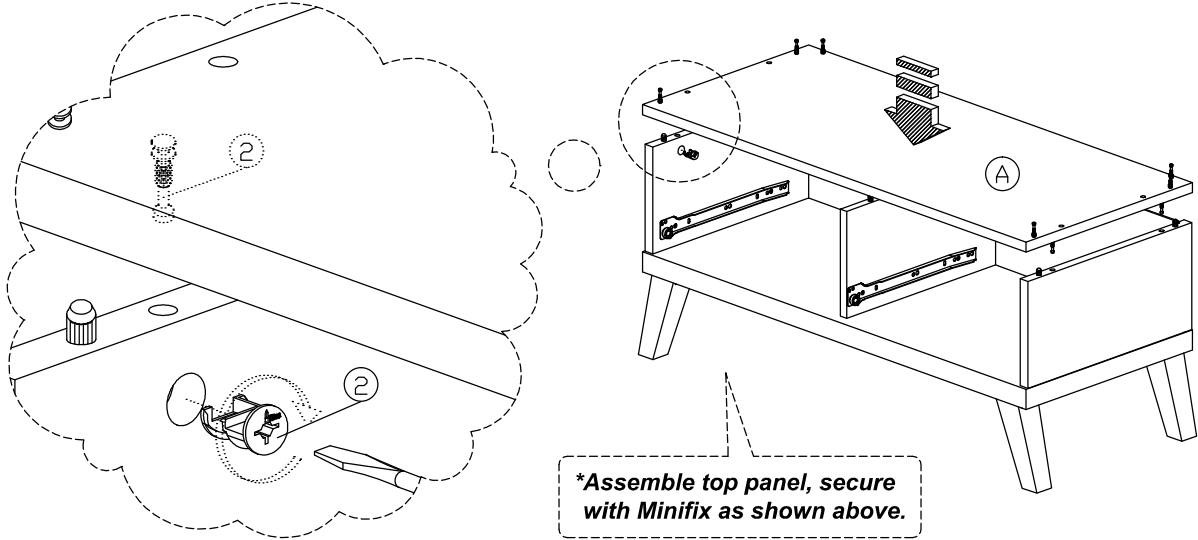
**Assemble bottom panel, secure with screw as shown above.*

Step 8



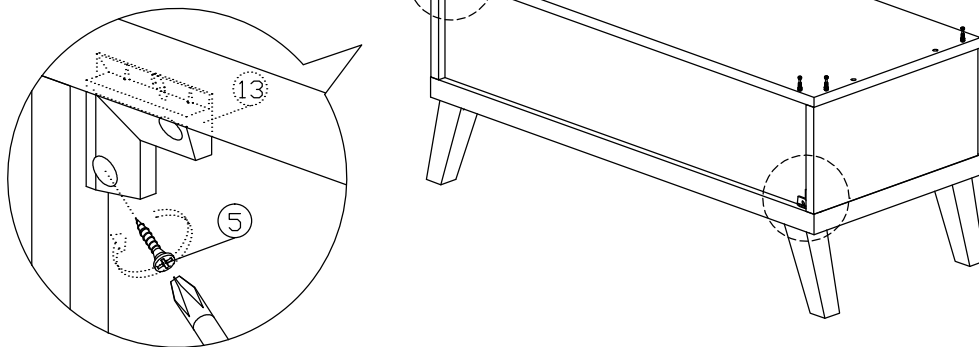
Assembly Instruction

Step 9



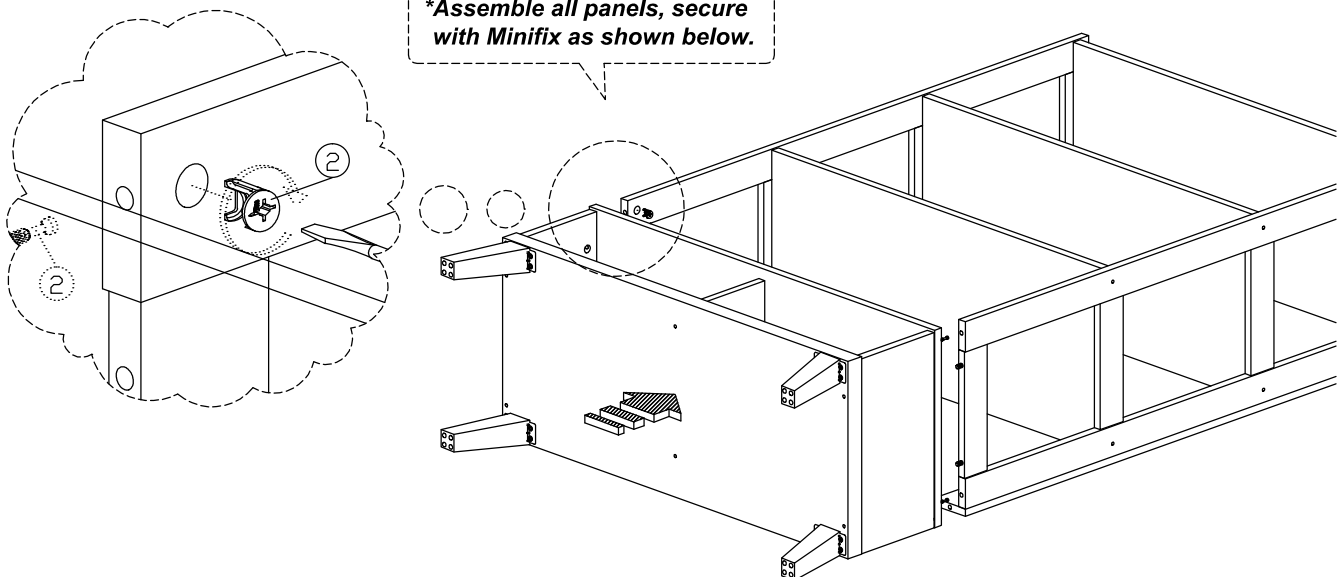
Step 10

***Install Z Bracket with screw as shown.**



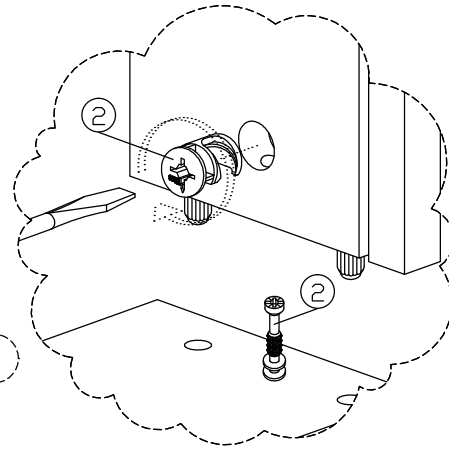
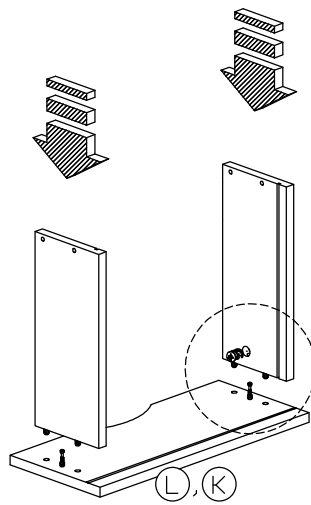
Step 11

***Assemble all panels, secure with Minifix as shown below.**

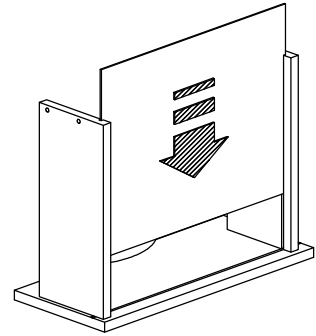


Assembly Instruction

Step 12

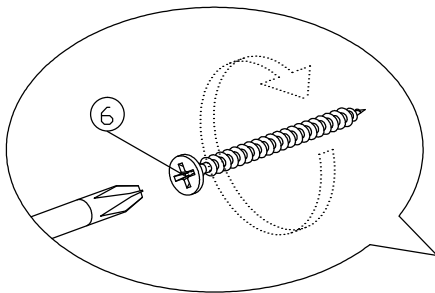


**Insert drawer bottom as shown.*

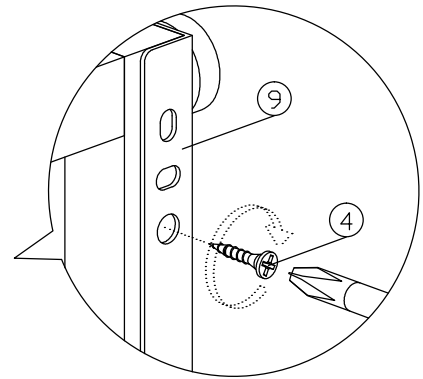
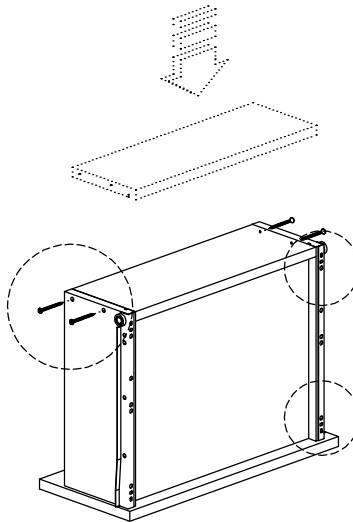


**Assemble drawer panels, secure with Minifix as shown.*

Step 13

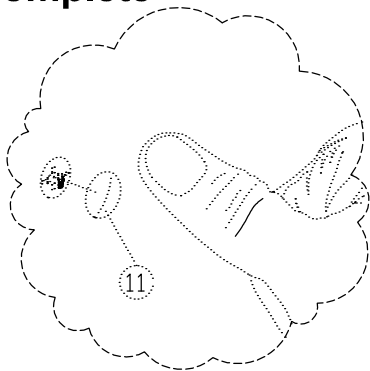


**Insert drawer back, secure with screw as shown.*

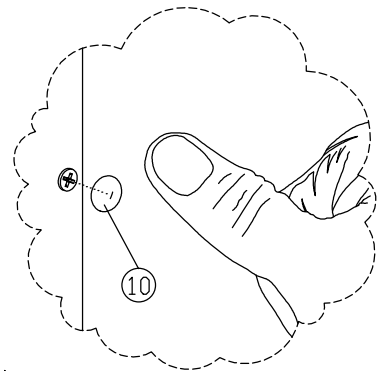
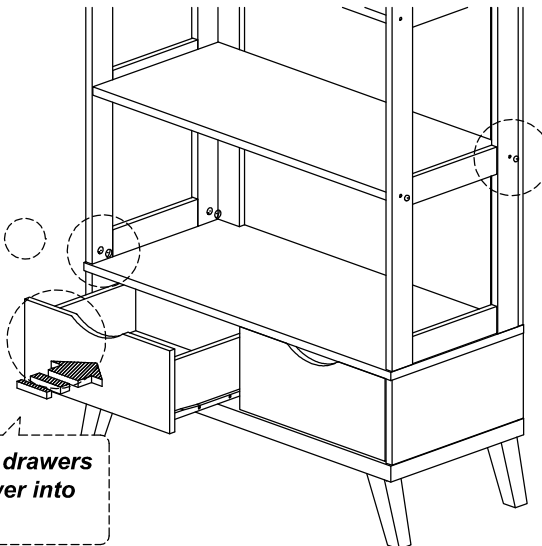


**Install Drawer Slide with screw as shown.*

Complete



**Attach 8pcs Minifix Cap to both drawers & side panels. Then, insert drawer into cabinet as shown.*



**Attach 12pcs Screw Cap to both side panels as shown.*