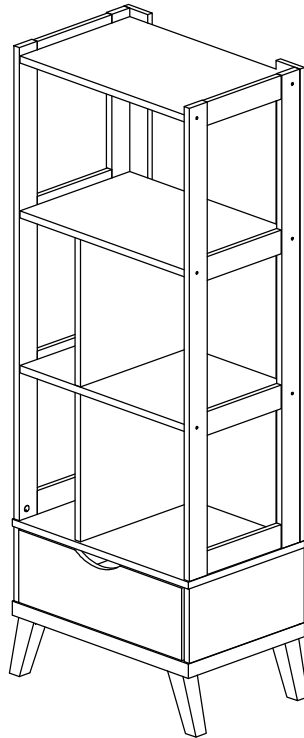
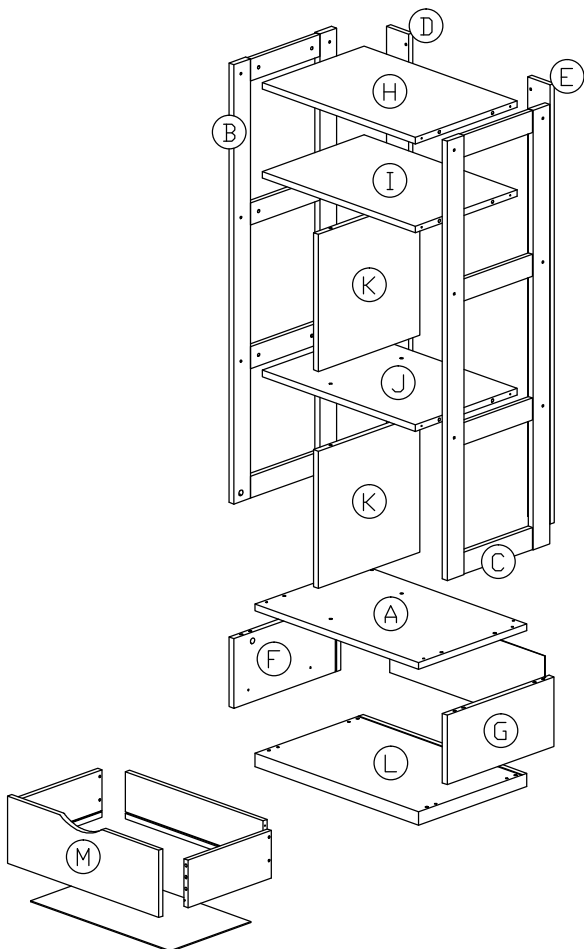


Assembly Instruction

Model : WI6465



Part List

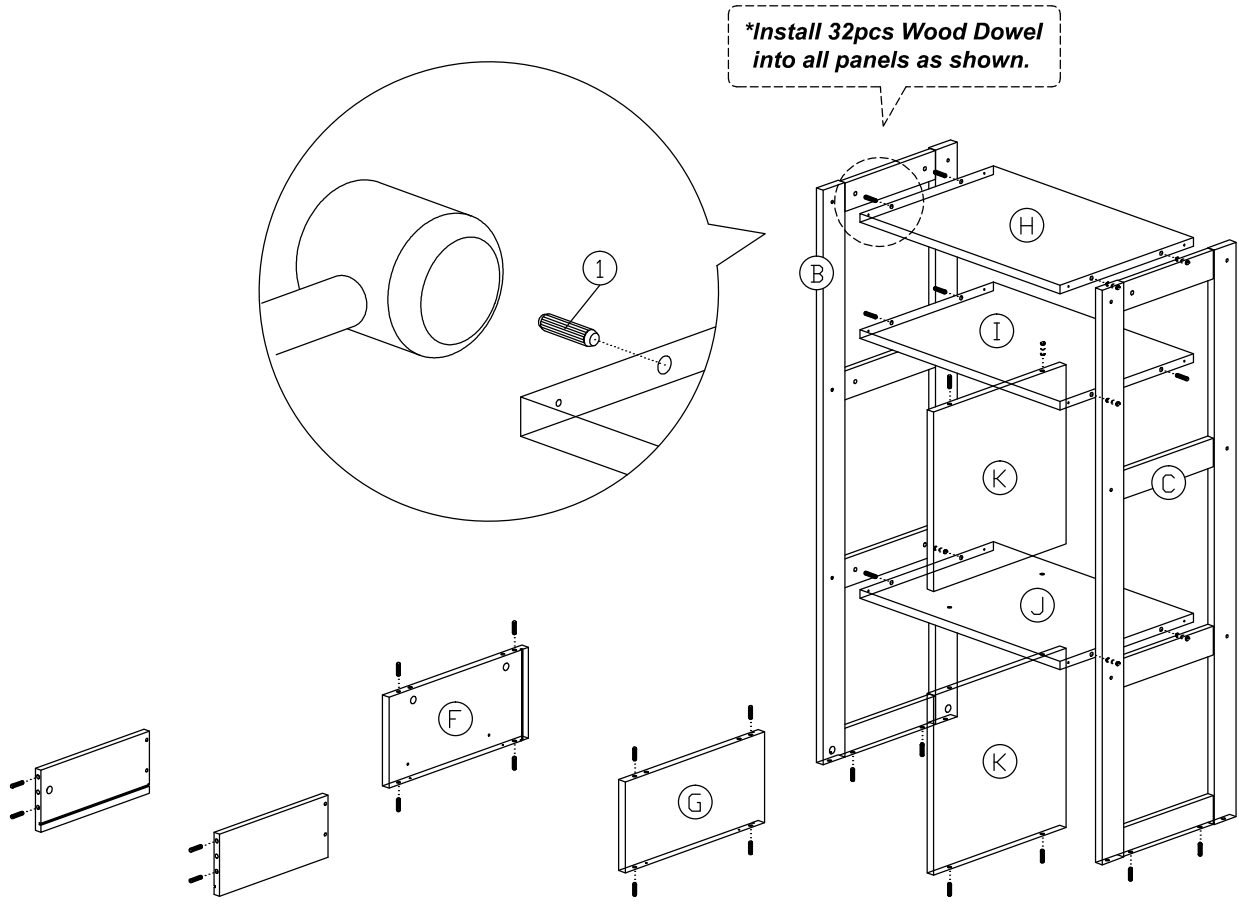


Hardware List

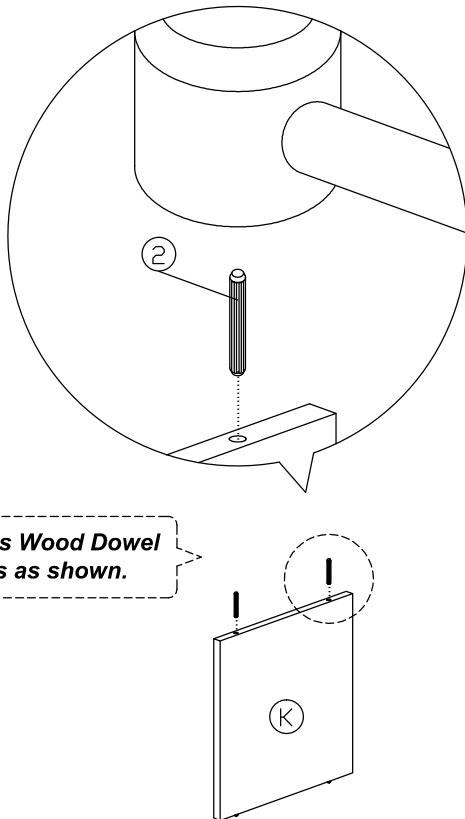
No.	SHAPE	DESCRIPTION	Qty.
1		8x25mm Wood Dowel	32Pcs
2		8x50mm Wood Dowel	2Pcs
3		15MM Titus Mini Fix	10Sets
4		M5x8mm Screw (Euro Screw)	4Pcs
5		M3.5x15mm Screw	20Pcs
6		M3x16mm Screw	4Pcs
7		M4x38mm Screw	16Pcs
8		M4x45mm Screw	12Pcs
9		M4x65mm Screw	4Pcs
10		Drawer Slide = 300mm	1Set
11		Screw Cap	12Pcs
12		15mm Minifix Cap	6Pcs
13		OS 140mm Long Tapper (Gold)	4Pcs
14		Z Bracket (Big)	2Pcs

Assembly Instruction

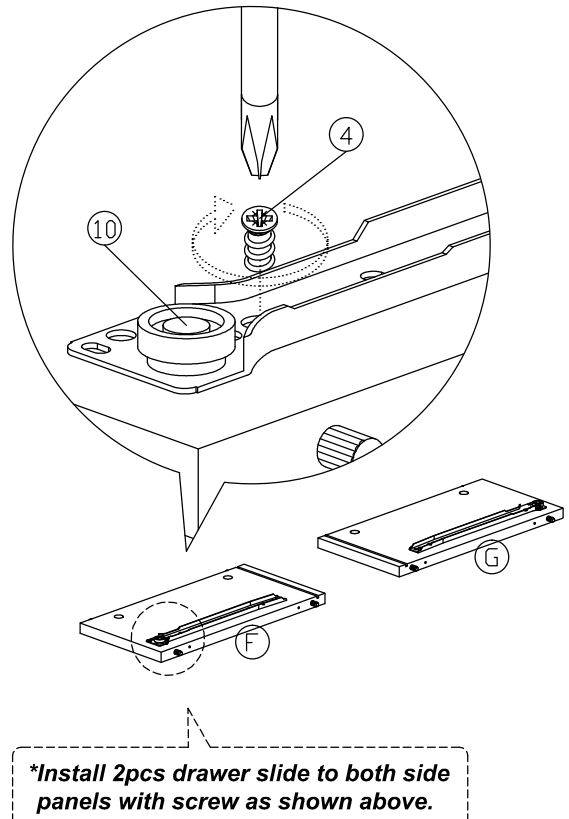
Step 1



Step 2

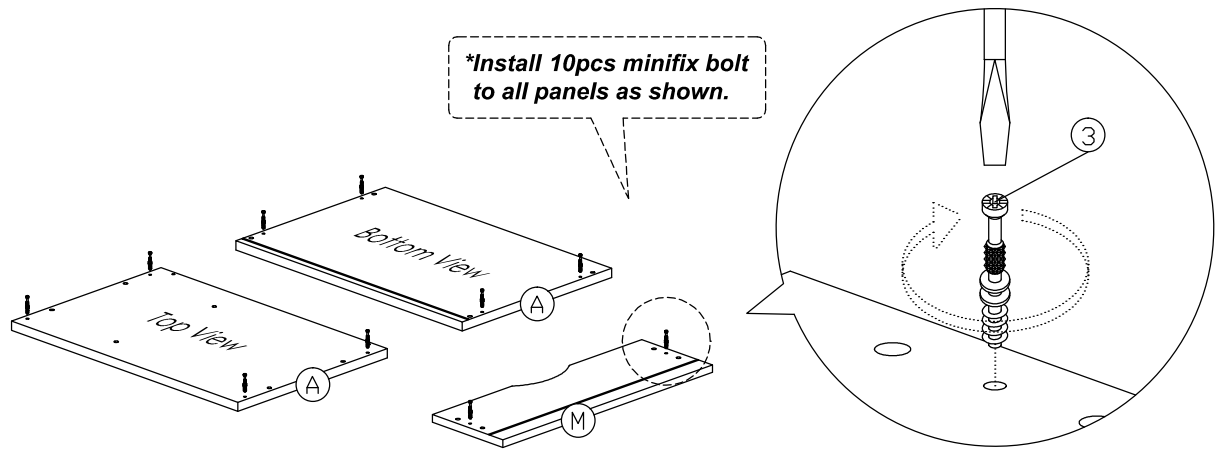


Step 3

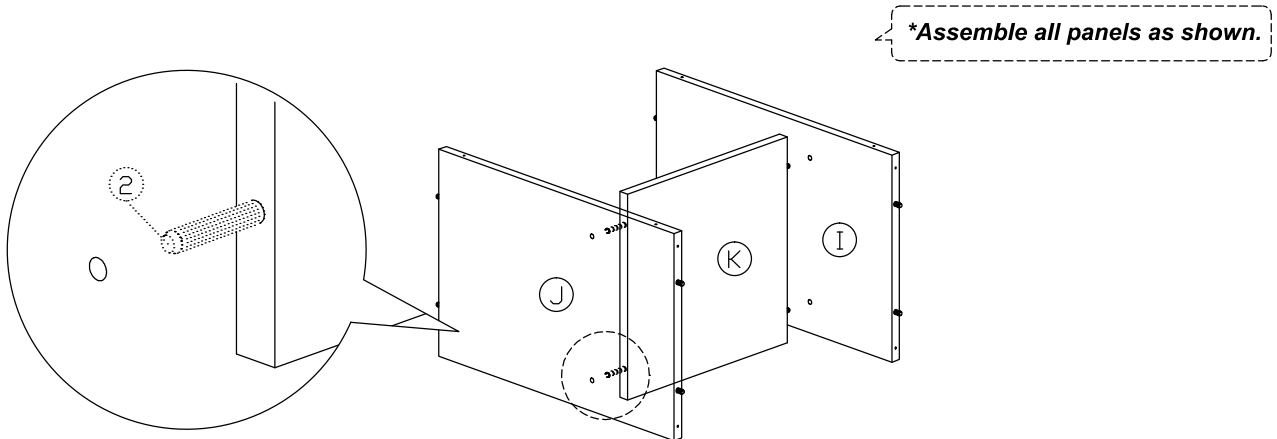


Assembly Instruction

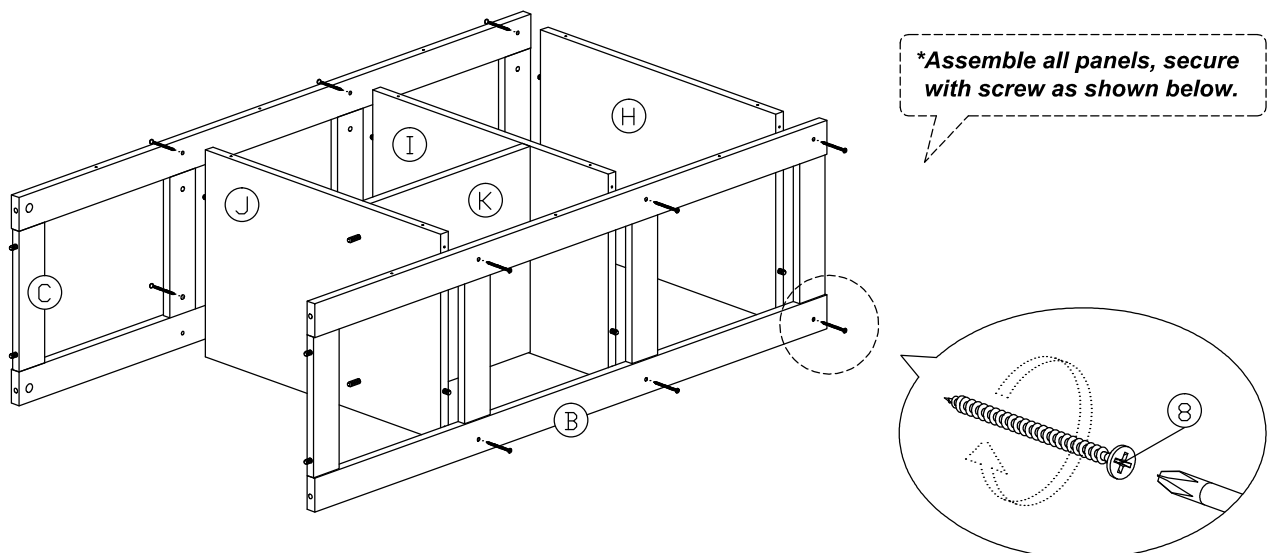
Step 4



Step 5



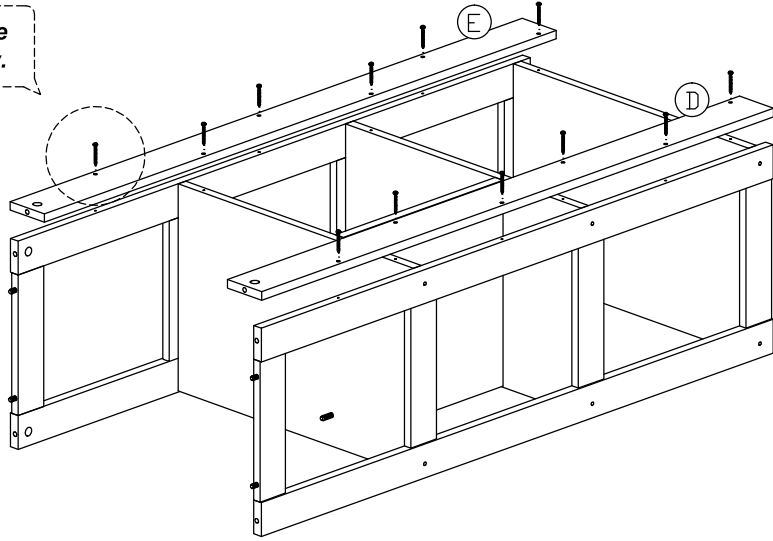
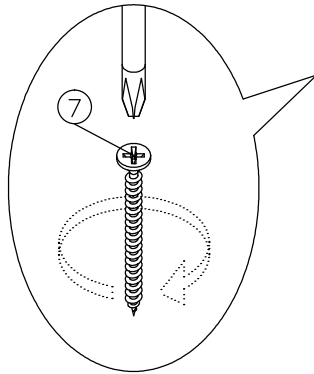
Step 6



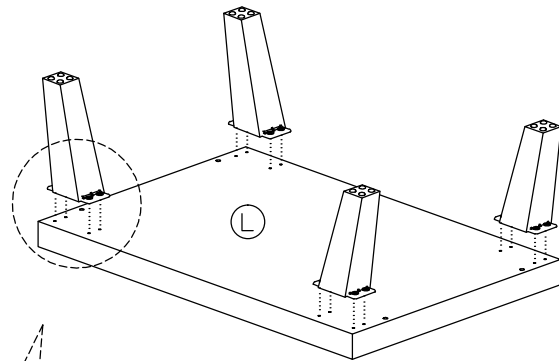
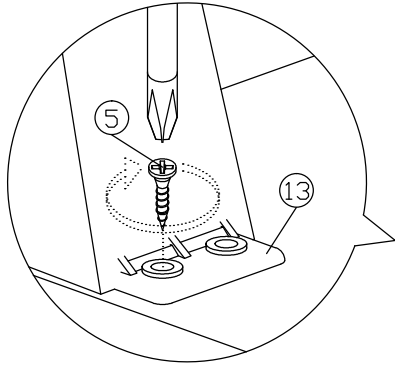
Assembly Instruction

Step 7

**Assemble all panels, secure with screw as shown below.*

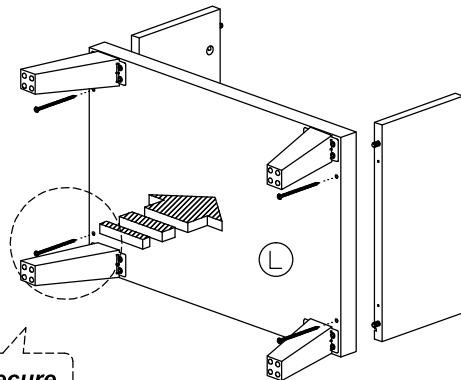
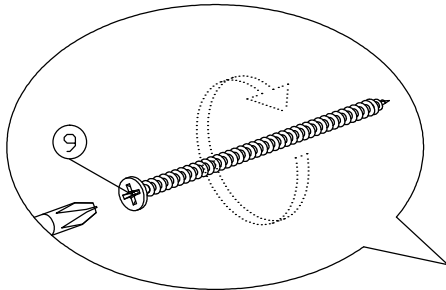


Step 8



**Install 4pcs OS 5 1/2" Long Tapper to panel with screw as shown above.*

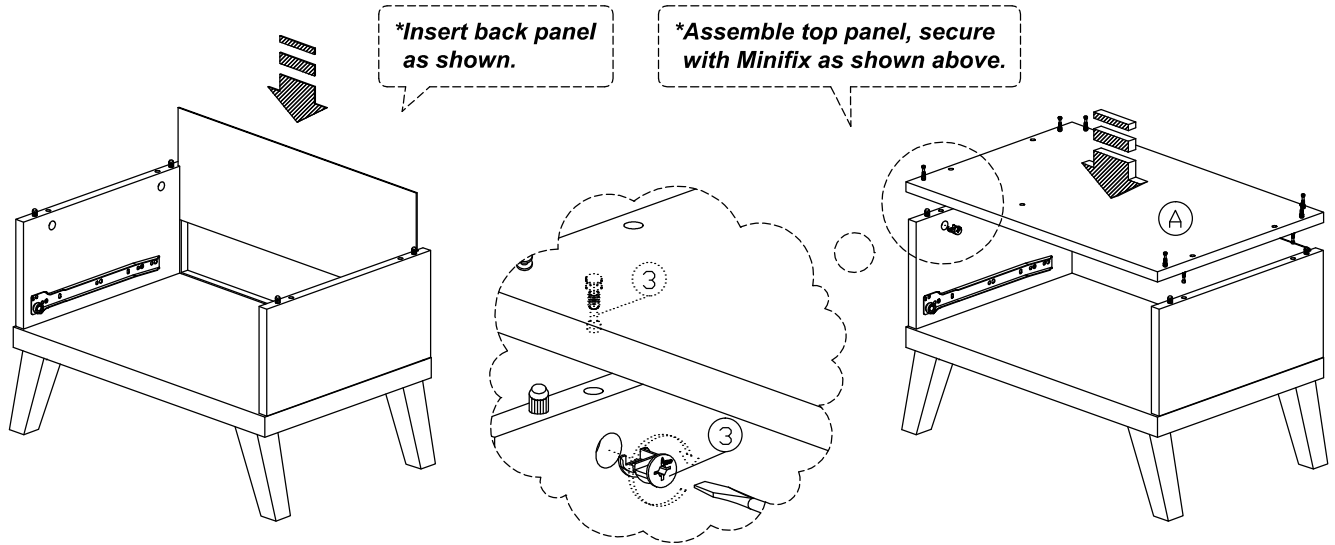
Step 9



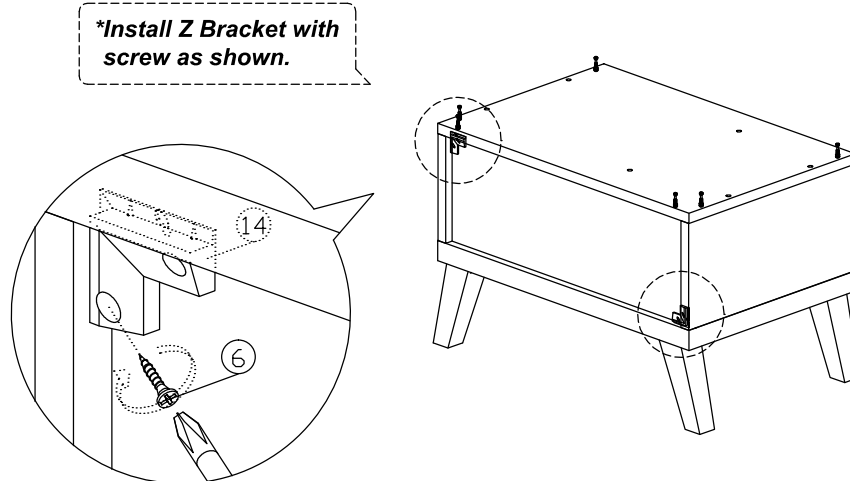
**Assemble bottom panel, secure with screw as shown above.*

Assembly Instruction

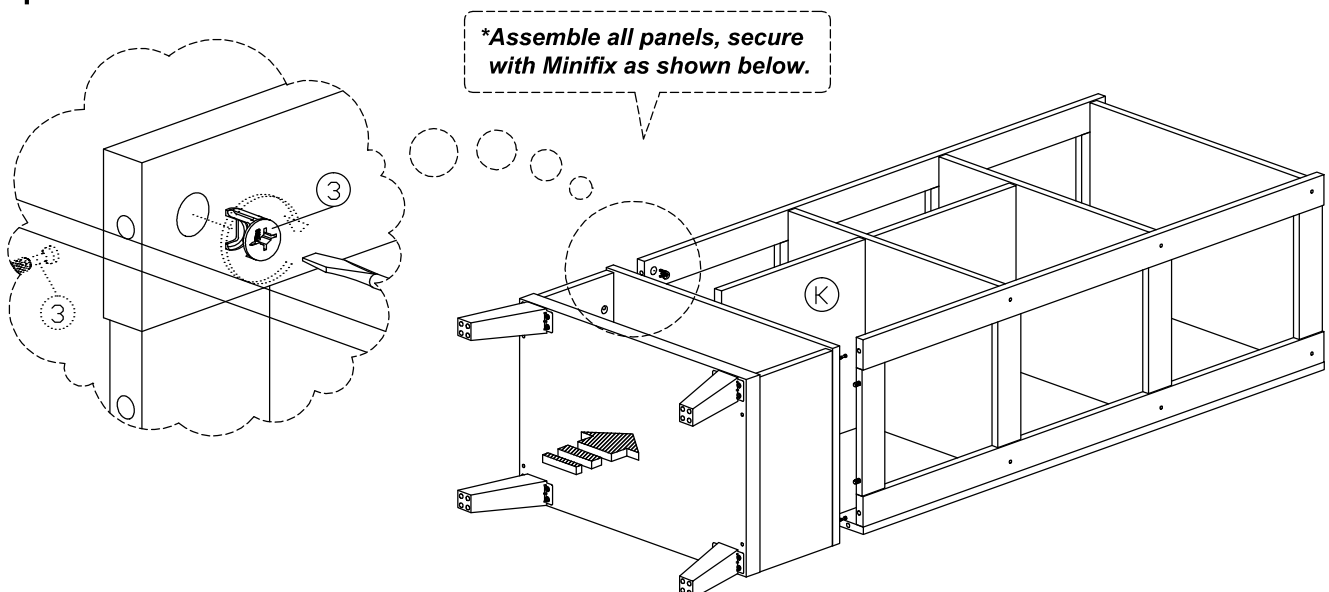
Step 10



Step 11

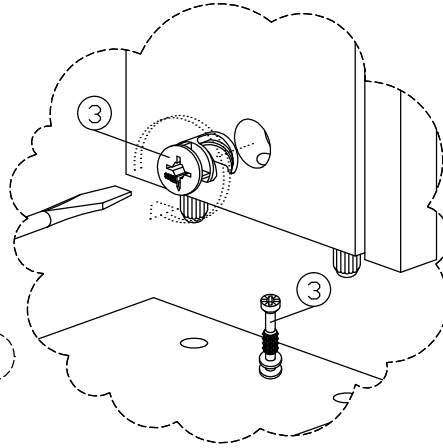
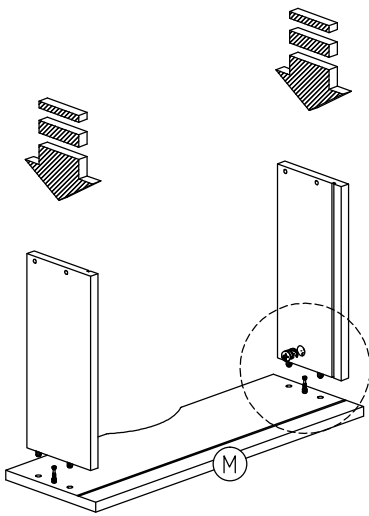


Step 12



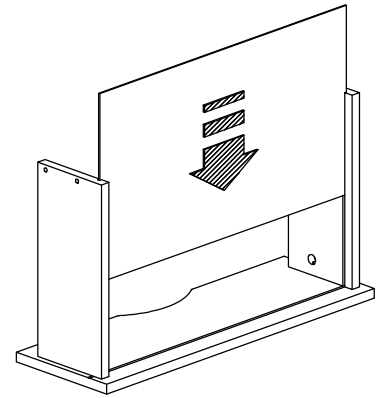
Assembly Instruction

Step 13

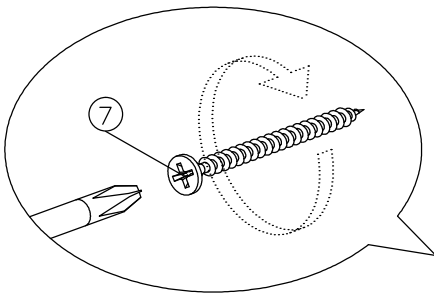


**Assemble drawer panels, secure with Minifix as shown.*

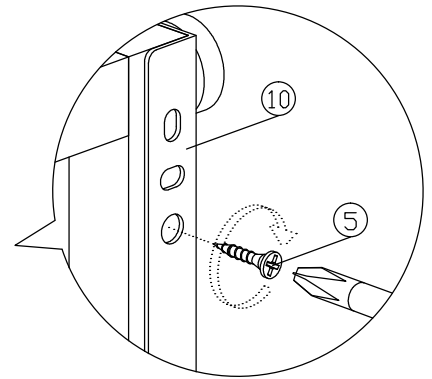
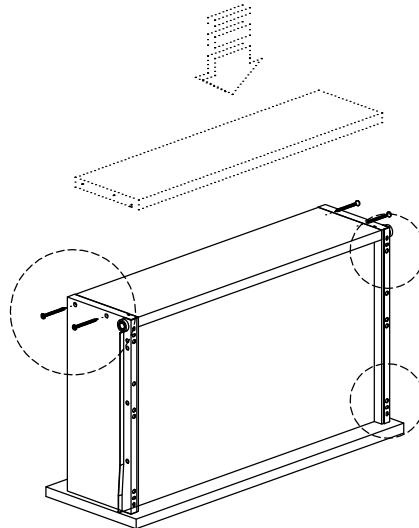
**Insert drawer bottom as shown.*



Step 14

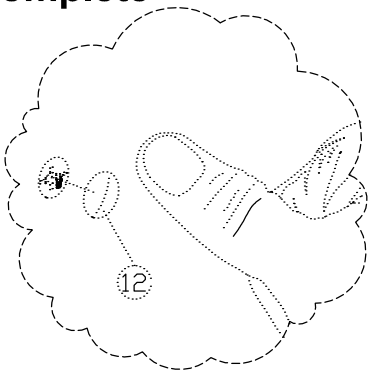


**Insert drawer back, secure with screw as shown.*

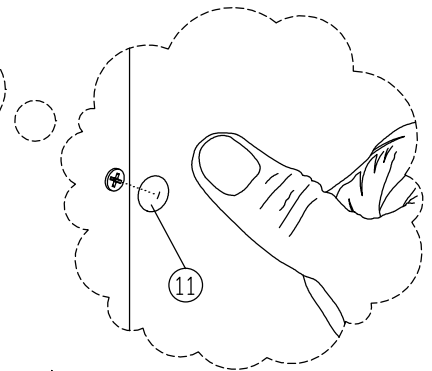
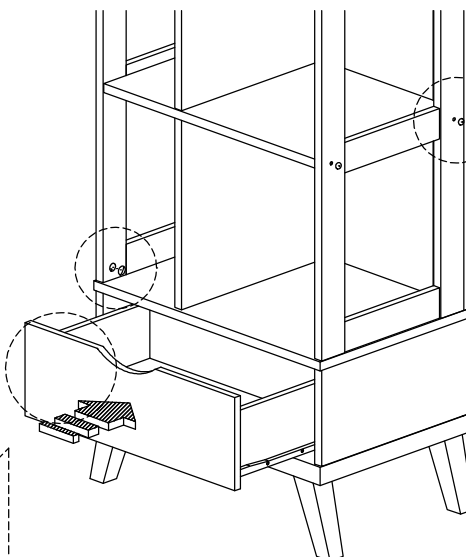


**Install Drawer Slide with screw as shown.*

Complete



**Attach 6pcs Minifix Cap to drawer & side panels. Then, insert drawer into cabinet as shown.*



**Attach 12pcs Screw Cap to both side panels as shown.*