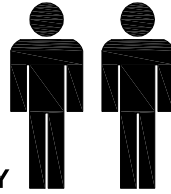


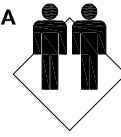
MODEL NAME:

BC 1680-02

1.5hr



FLOOR AREA
1.2M X 3.0M

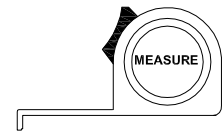
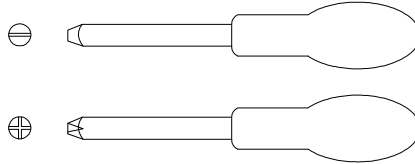
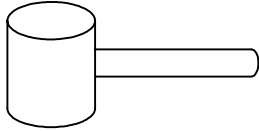


APPROXIMATE ASSEMBLY TIME

2 PERSON OF ASSEMBLY

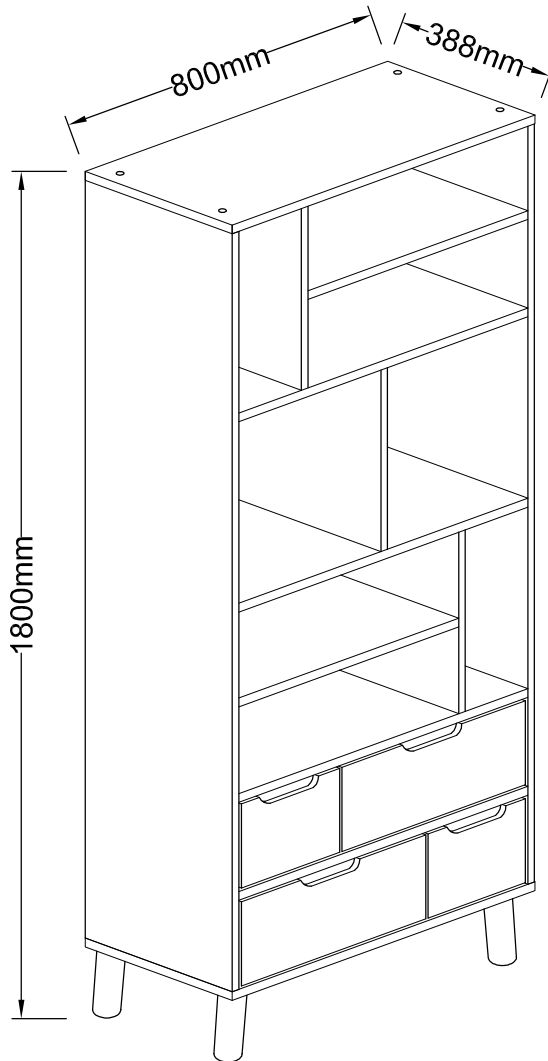
REQUIRED ASSEMBLY SPACE

REQUIRED ASSEMBLY TOOLS



MEASURING TAPE

ASSEMBLED DIMENSIONS



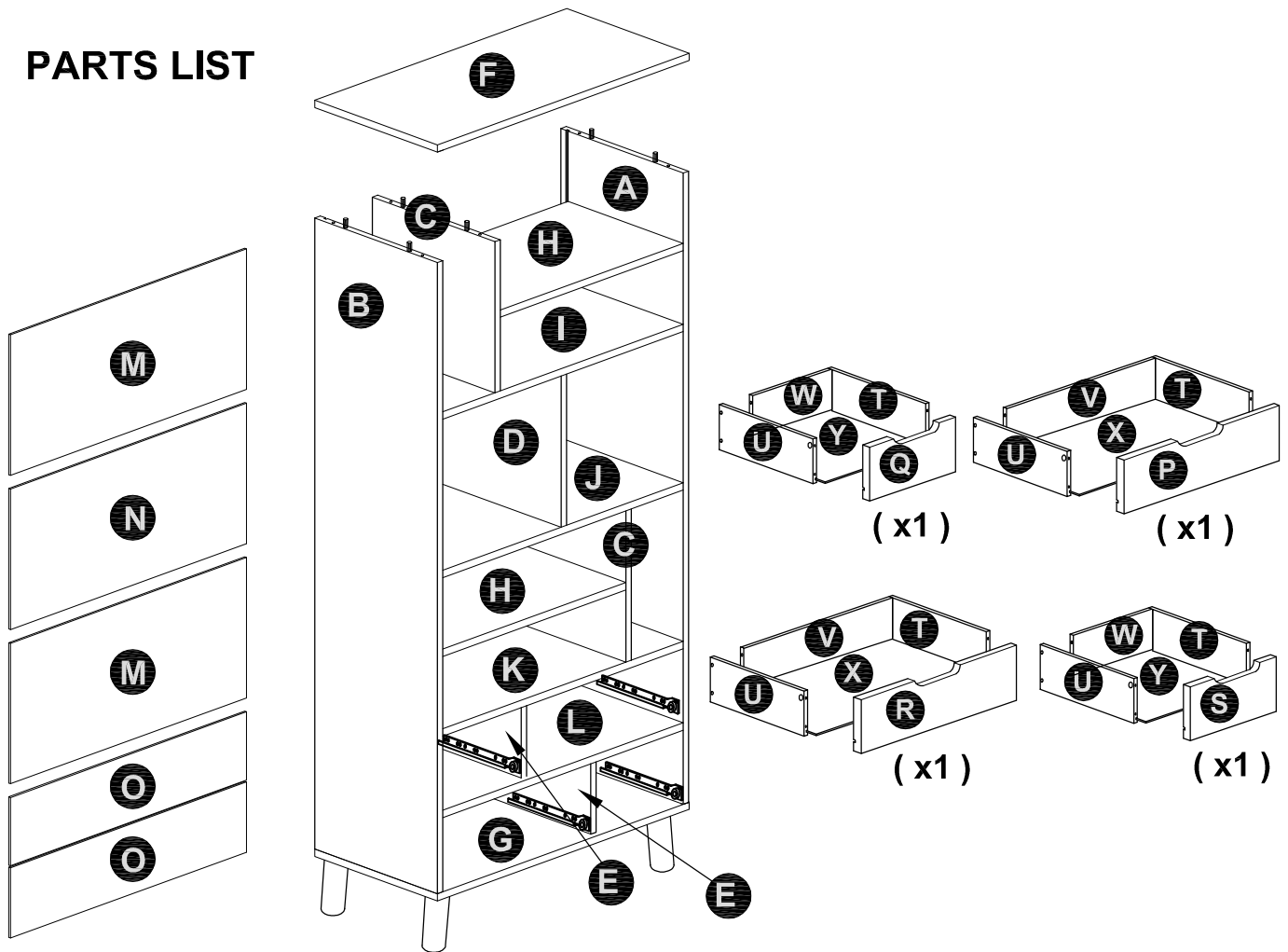
NOTE : THE MAXIMUM WEIGHT THIS PRODUCT CAN HOLD UP TO 25 KGS.

MODEL NAME:

BC 1680-02

NO.	PART LIST	QTY	NO.	PART LIST	QTY
(A)	RIGHT SIDE PANEL	1	(P)	DRAWER FRONT LARGE-TOP	1
(B)	LEFT SIDE PANEL	1	(Q)	DRAWER FRONT SMALL-TOP	1
(C)	CENTRE PANEL-A	2	(R)	DRAWER FRONT LARGE-BOTTOM	1
(D)	CENTRE PANEL-B	1	(S)	DRAWER FRONT SMALL-BOTTOM	1
(E)	CENTRE PANEL-C	2	(T)	DRAWER SIDE RIGHT	4
(F)	TOP PANEL	1	(U)	DRAWER SIDE LEFT	4
(G)	BOTTOM PANEL	1	(V)	DRAWER BACK PANEL -LARGE	2
(H)	FIXED PANEL-A	2	(W)	DRAWER BACK PANEL -SMALL	2
(I)	FIXED PANEL-B	1	(X)	DRAWER BASE -LARGE	2
(J)	FIXED PANEL-C	1	(Y)	DRAWER BASE -SMALL	2
(K)	FIXED PANEL-D	1			
(L)	FIXED PANEL-E	1			
(M)	BACK PANEL-A	2			
(N)	BACK PANEL-B	1			
(O)	BACK PANEL-C	2			

PARTS LIST



MODEL NAME:

BC 1680-02

HARDWARE LIST

A vertical scale on the right side of the hardware list ranges from 0cm to 4cm in 1cm increments. The hardware items are arranged horizontally across the list, with their heights corresponding to the scale. Item 1 (glue) is at the 0cm mark. Item 2 (camlock) is between 0cm and 1cm. Item 3 (drawer camlock) is between 1cm and 2cm. Item 4 (Quickfit) is between 2cm and 3cm. Item 5 (wood dowel) is between 3cm and 4cm. Item 6 (flat head screw) is between 0cm and 1cm. Item 7 (flat head screw) is between 0cm and 1cm. Item 8 (flat head screw) is between 1cm and 2cm. Item 9 (backply stopper) is between 1cm and 2cm. Item 10 (flat head screw) is between 1cm and 2cm. Item 11 (universal cap) is between 1cm and 2cm. Item 12 (Allen head bolt) is between 1cm and 2cm. Item 13 (Allen key) is between 1cm and 2cm. Item 14 (spring washer) is between 1cm and 2cm. Item 15 (flat washer) is between 1cm and 2cm. Item 16 (anti tip strap) is between 1cm and 2cm. Item 17 (leg) is between 1cm and 2cm. Item 18 (wooden frame) is between 1cm and 2cm.

2X
1
GLUE 10CC

40X
Dia.15mm
2
CAMLOCK

8X
Dia.15mm
3
DRAWER
CAMLOCK

48X
M6.5
4
QUICKFIT

60X
Dia.6 x 30mm
5
WOOD
DOWEL

16X
M3.5 x 25mm
6
FLAT HEAD
SCREW

8X
M4 x 30mm
7
FLAT HEAD
SCREW

12X
M8 x 38mm
8
FLAT HEAD
SCREW

20X
9
BACKPLY
STOPPER

20X
M3 x 20mm
10
FLAT HEAD
SCREW

12X
Dia 17mm
11
UNIVERSAL CAP
(OPTIONAL)

4X
M8 x 70mm
12
ALLEN HEAD
BOLT

1X
M5
13
ALLEN KEY

4X
5/16
14
SPRING
WASHER

4X
22 x 5/16
15
FLAT
WASHER

2X
16
ANTI TIP
STRAP

4X
17
Ø45- 160mm
LEG

1X
18
WOODEN FRAME

MODEL NAME:

BC 1680-02

Top Tips before you start!

1. Please check that all parts are present before you start the assembly of your furniture.
2. For ease and speed of assembly, we recommend that before you commence each step of the assembly, that you identify all the parts required for that step.
3. For larger items, please ensure that you have sufficient space and people (as indicated on page 1) to assemble your product safely
4. We recommend that, where possible, all items are assembled near to the area in which they will be placed in use, to avoid moving the product unnecessarily once assembled.
5. For the protection of your furniture, particularly items of high gloss finish, we recommend that the product is placed on a protected surface during assembly to prevent any damage.
6. Caution - Electric / Battery operated screw driver NOT RECOMMENDED.
7. During assembly please take care not to over-tighten any fittings, as this may damage the product.
8. Always place the product on a flat, steady and stable surface.
9. Do not sit or stand on the product.
Do not use the product as a stepladder.
10. This product is intended for indoor, household use only as it is non industrial product.
11. This product is constructed from re-inforced hollow board. Excessive pressure cause irreparable damage. Please do not kneel on any part of this product during assembly.

Care and Maintenance of your Furniture

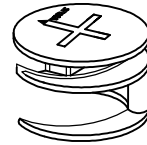
- Please periodically check all fittings and re-tighten as necessary.
- To clean your item, please use a damp cloth and wipe clean.
- Never allow any kind of liquid to remain on your furniture.
- Please do not place hot items (e.g. hot drinks) directly on to the wood surface.
- Please do not drag and pull your furniture.

MODEL NAME:

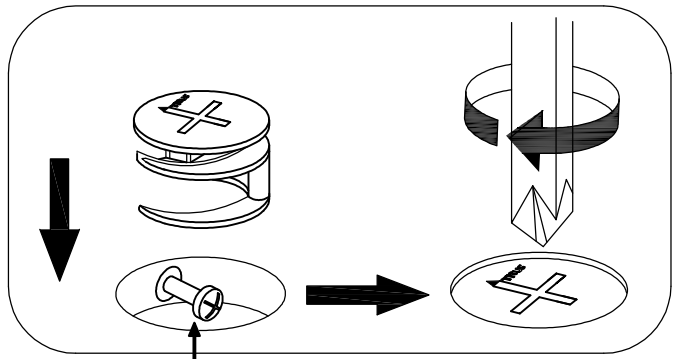
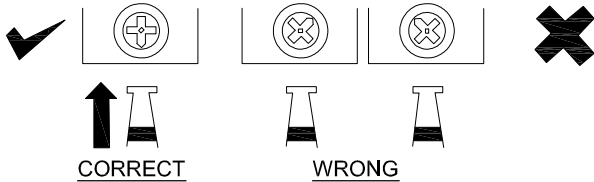
BC 1680-02

SPECIAL TIPS FOR FITTING CAM-LOCKS AND QUICKFIT

CAM-LOCK

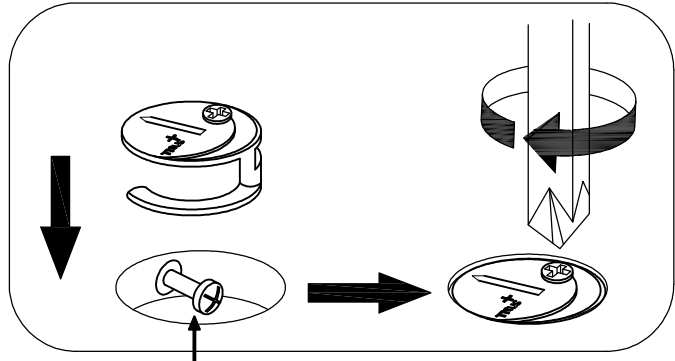


WHEN FITTING CAMLOCK
ENSURE STARTING POSITION IS CORRECT
BEFORE YOU INSERT CONNECTING QUICKFIT
TURN CLOCKWISE UNTIL SECURE



Quickfit head needs to be in centre

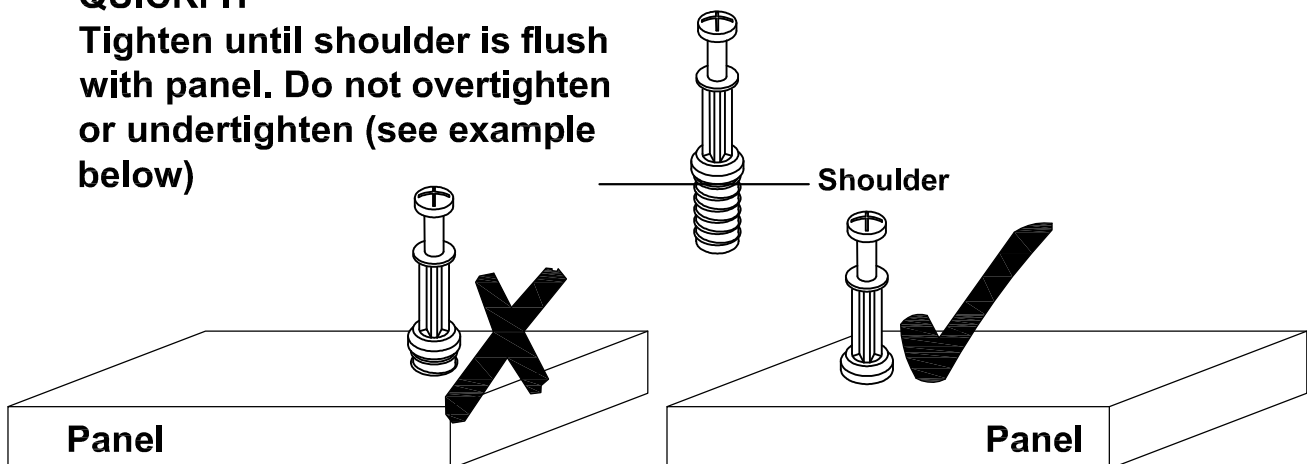
DRAWER
CAM-LOCK



Quickfit head needs to be in centre

QUICKFIT

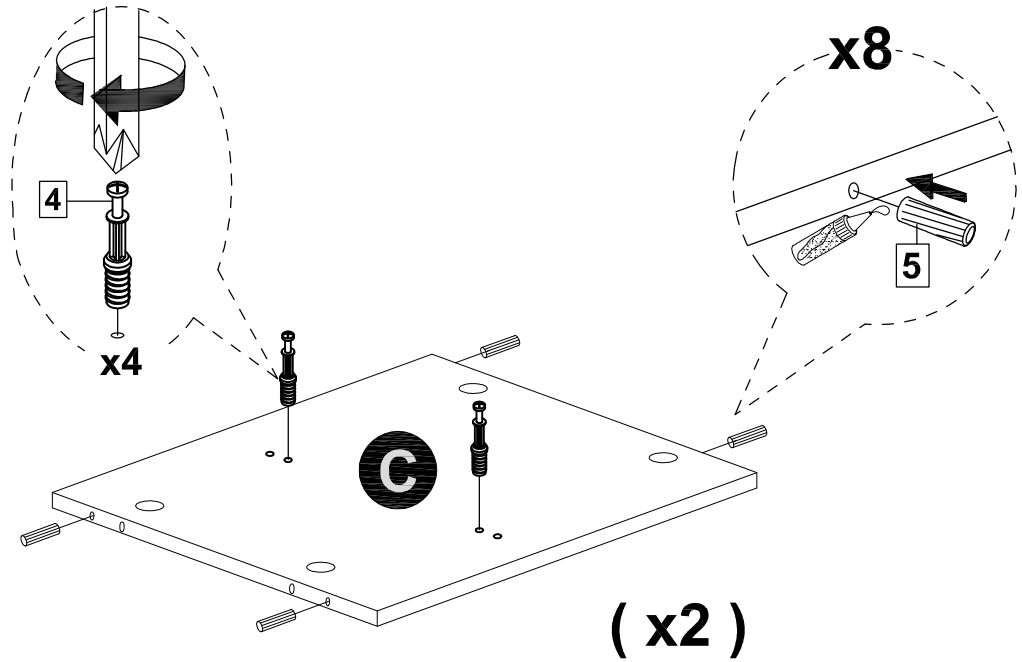
Tighten until shoulder is flush with panel. Do not overtighten or undertighten (see example below)



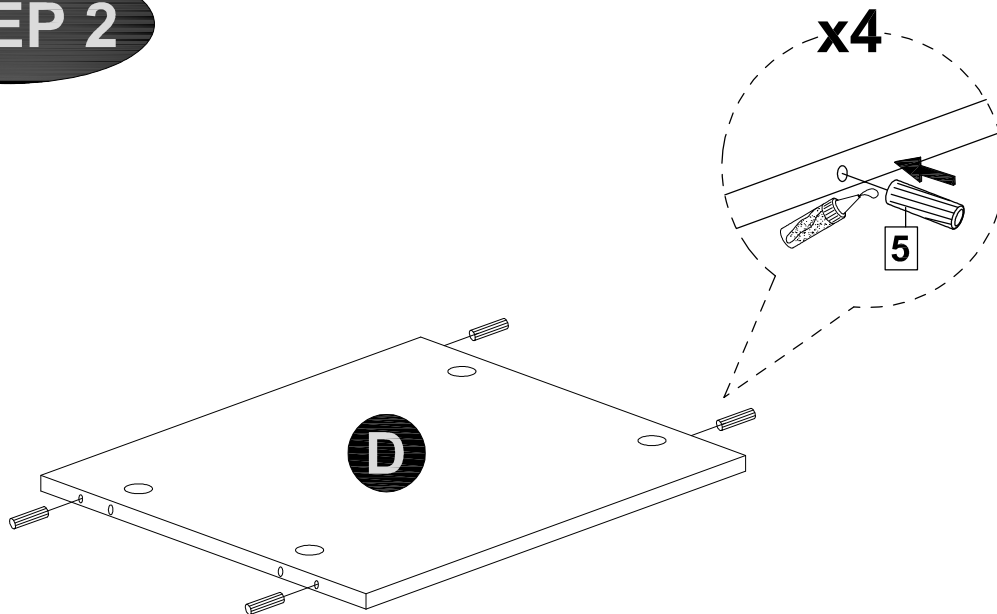
MODEL NAME:

BC 1680-02

STEP 1



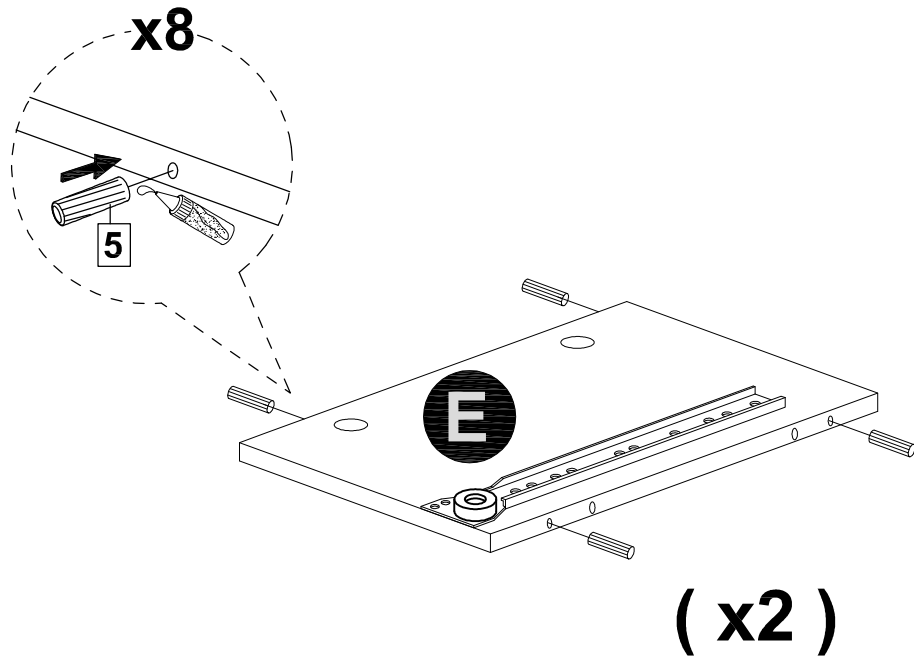
STEP 2



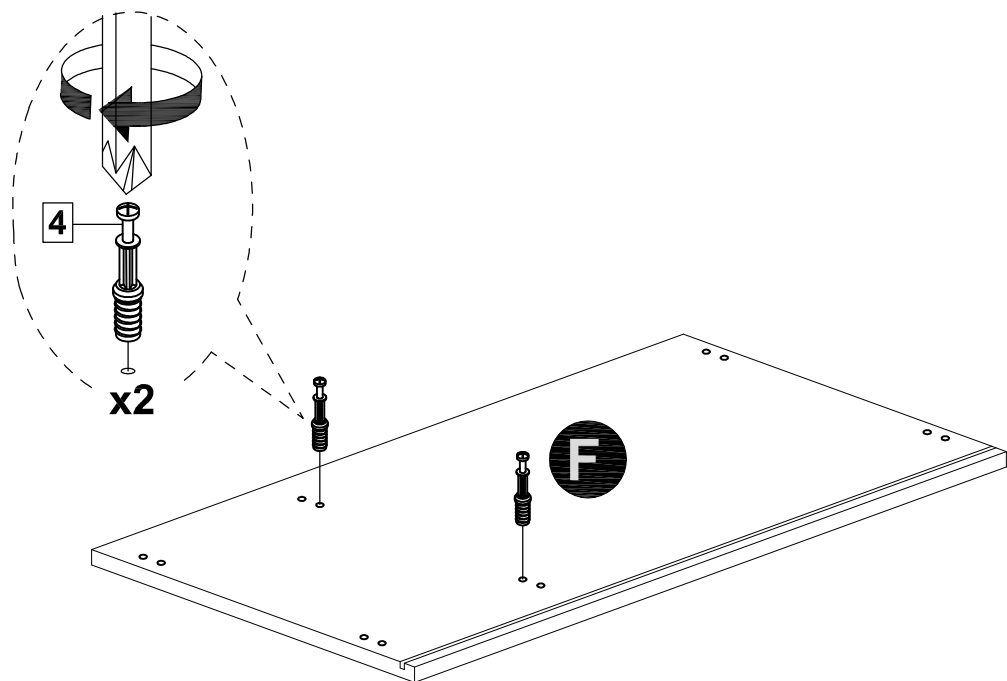
MODEL NAME:

BC 1680-02

STEP 3



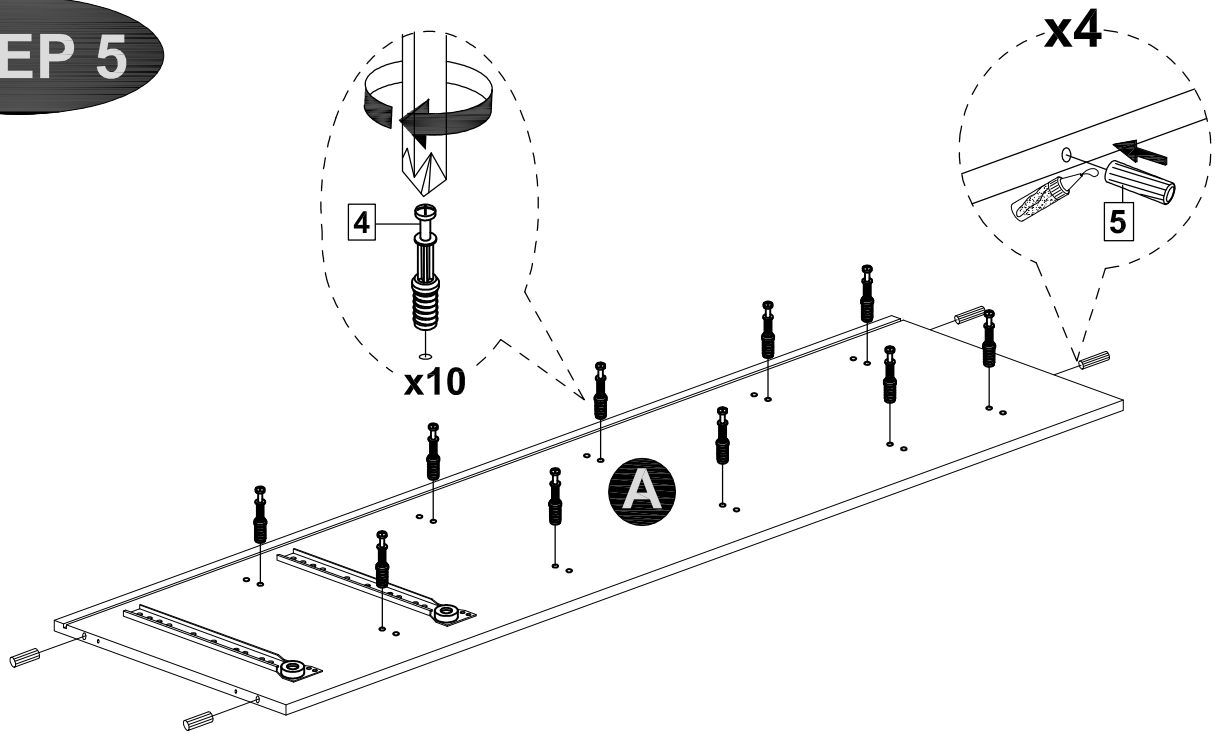
STEP 4



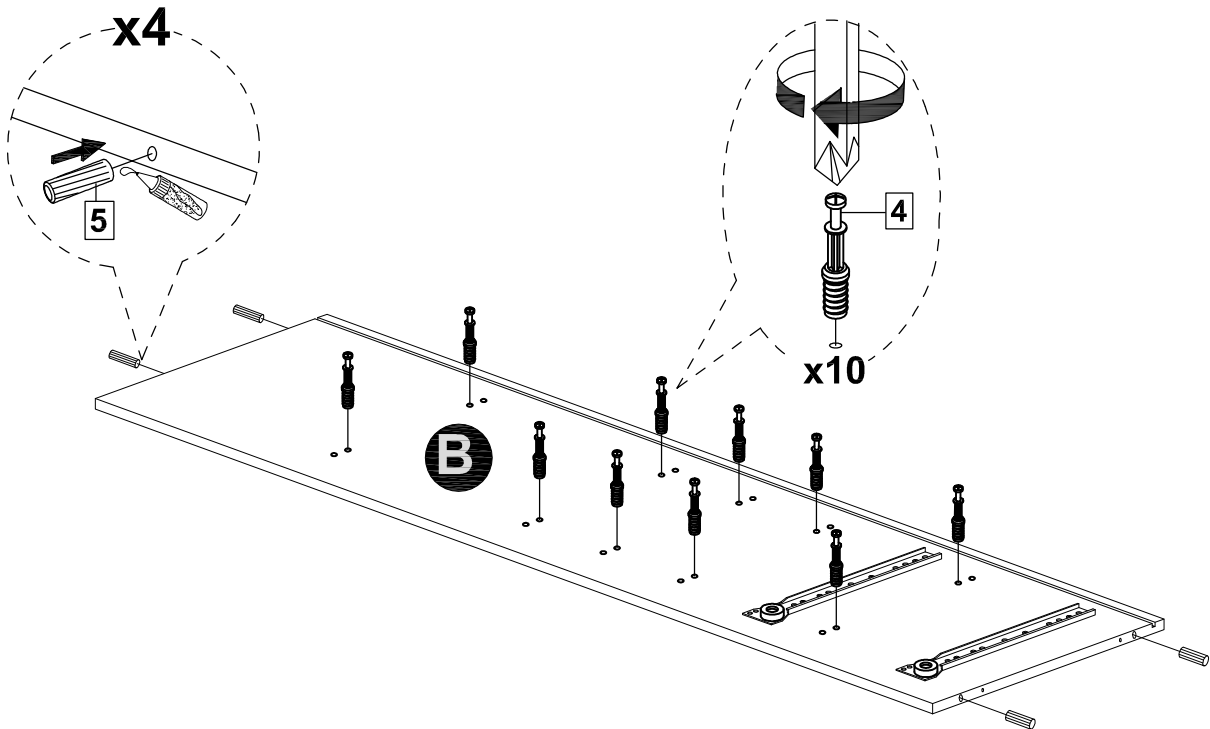
MODEL NAME:

BC 1680-02

STEP 5



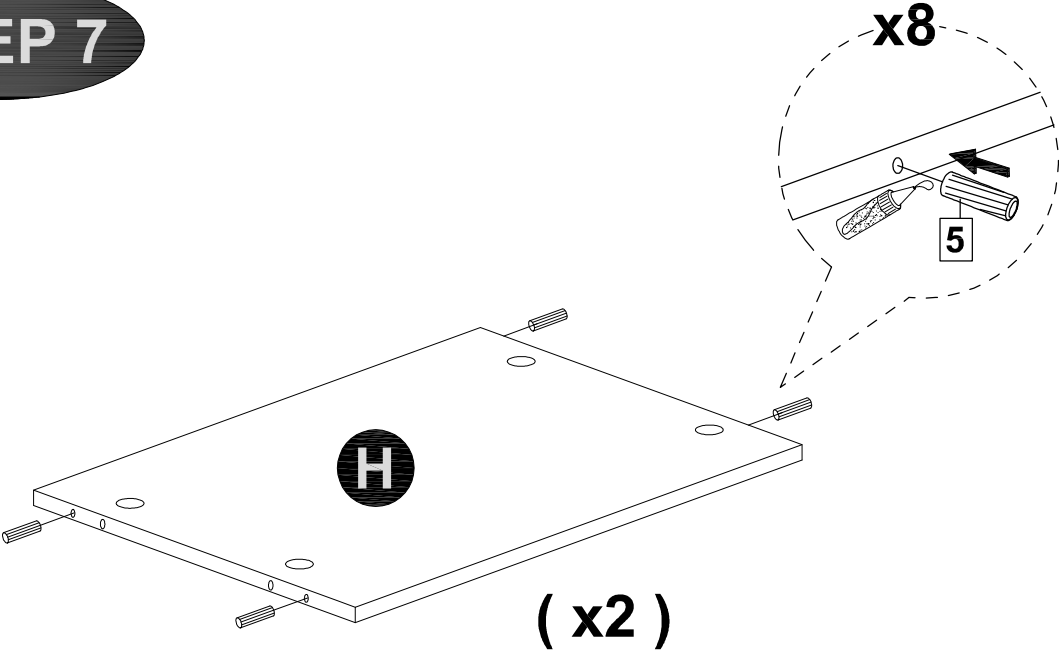
STEP 6



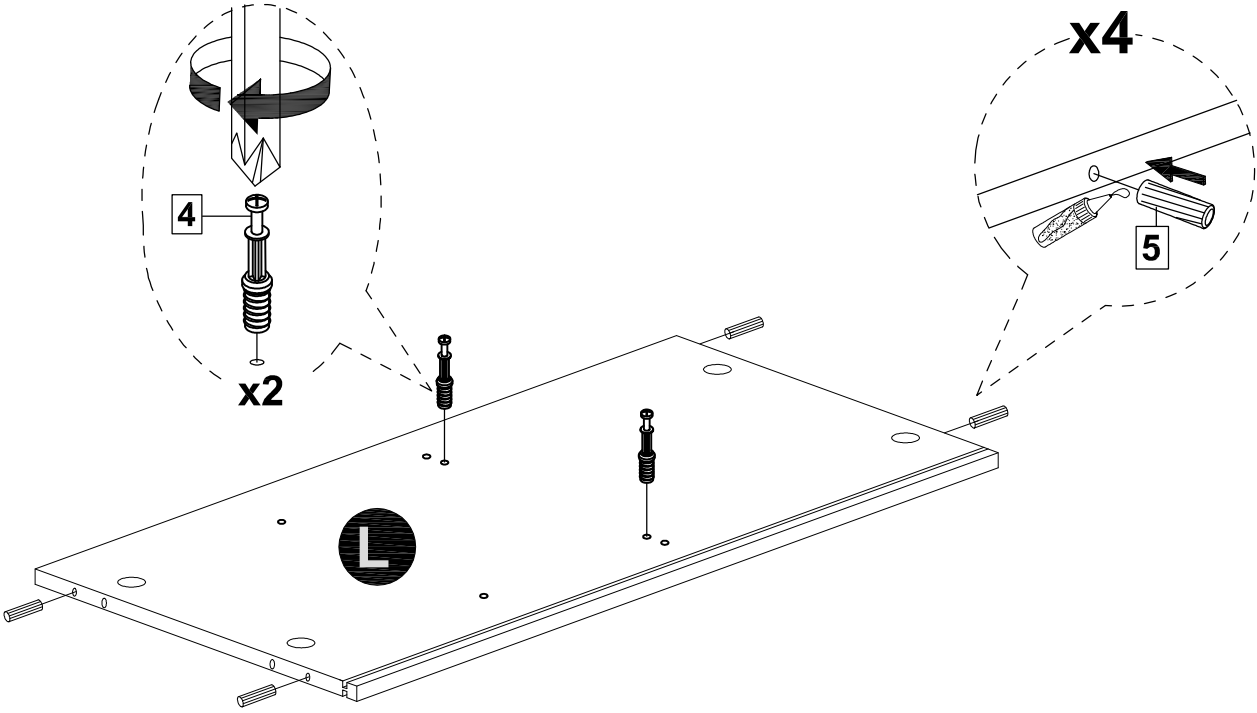
MODEL NAME:

BC 1680-02

STEP 7



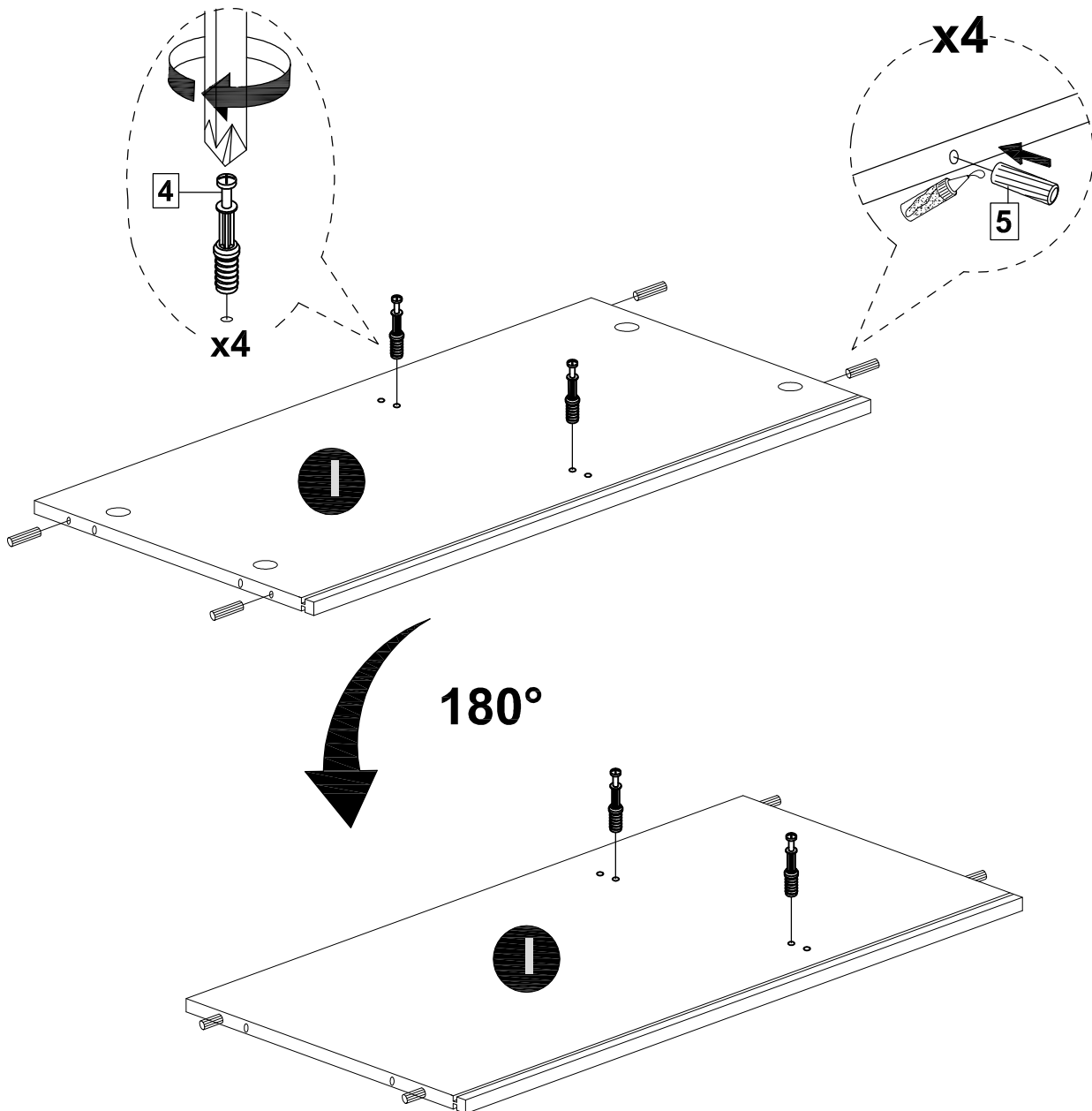
STEP 8



MODEL NAME:

BC 1680-02

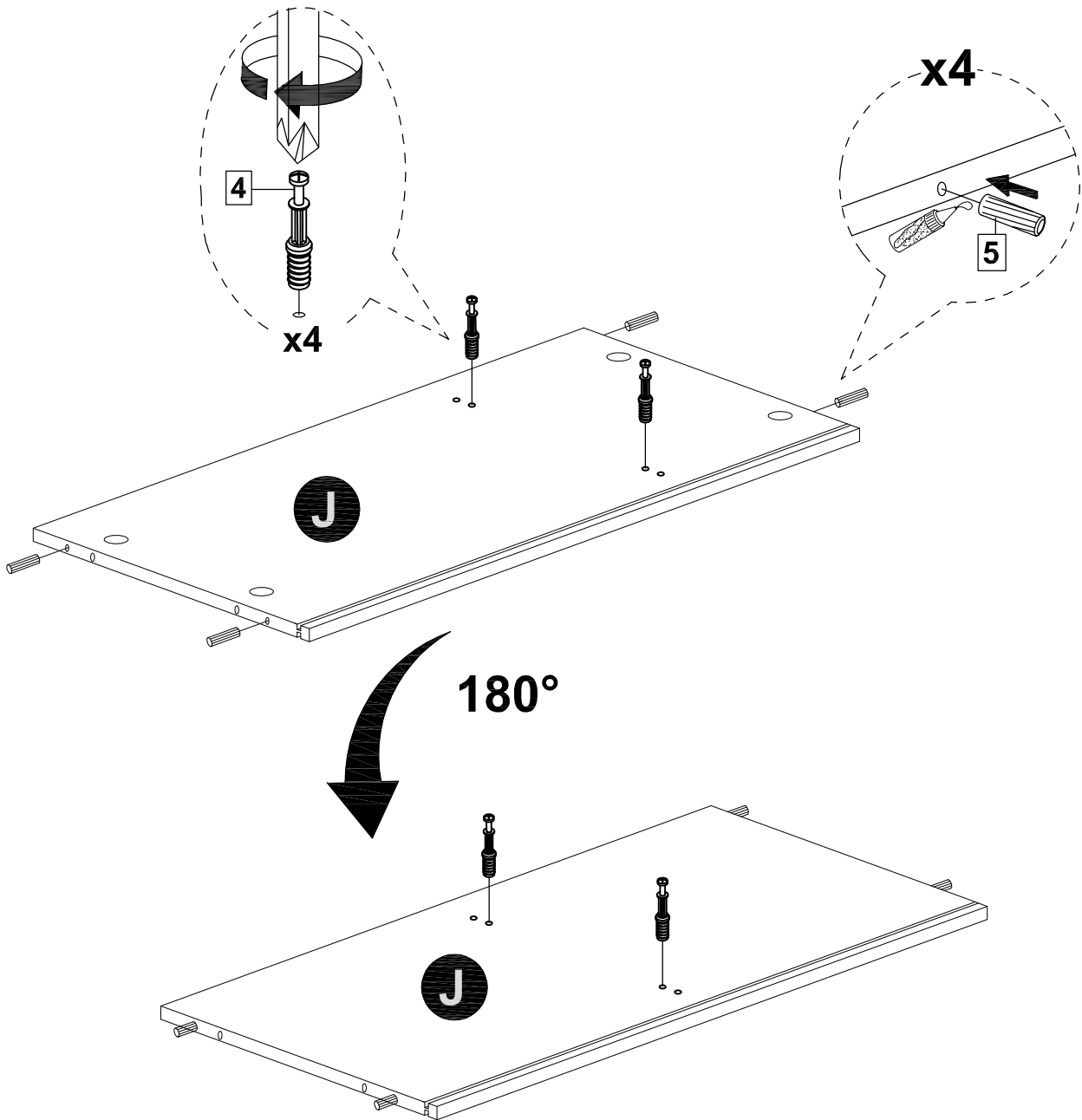
STEP 9



MODEL NAME:

BC 1680-02

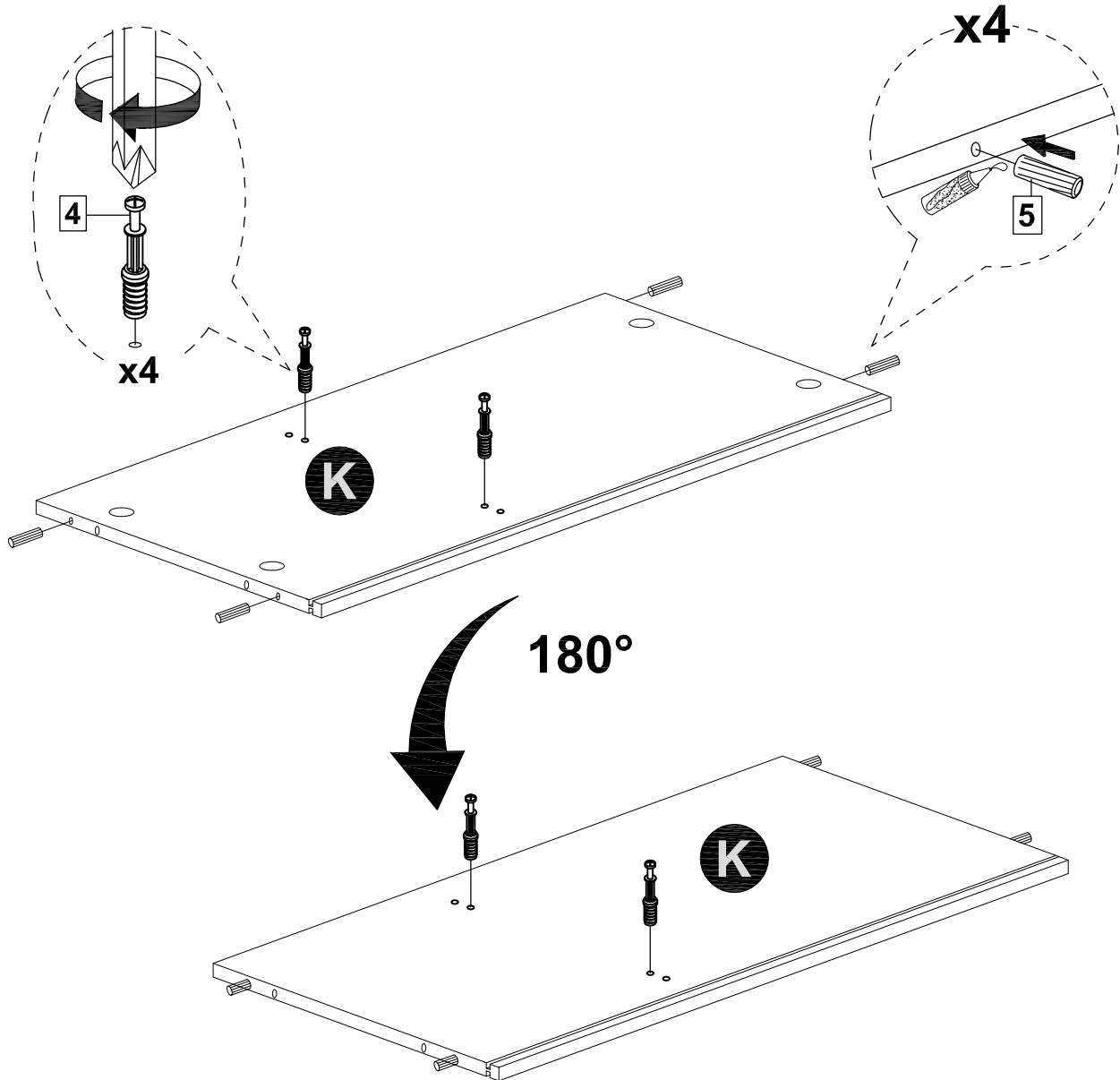
STEP 10



MODEL NAME:

BC 1680-02

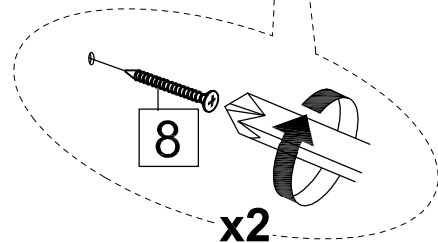
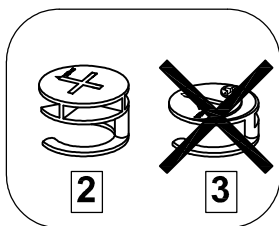
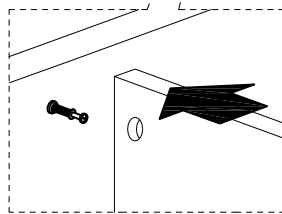
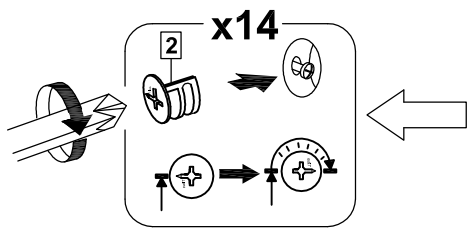
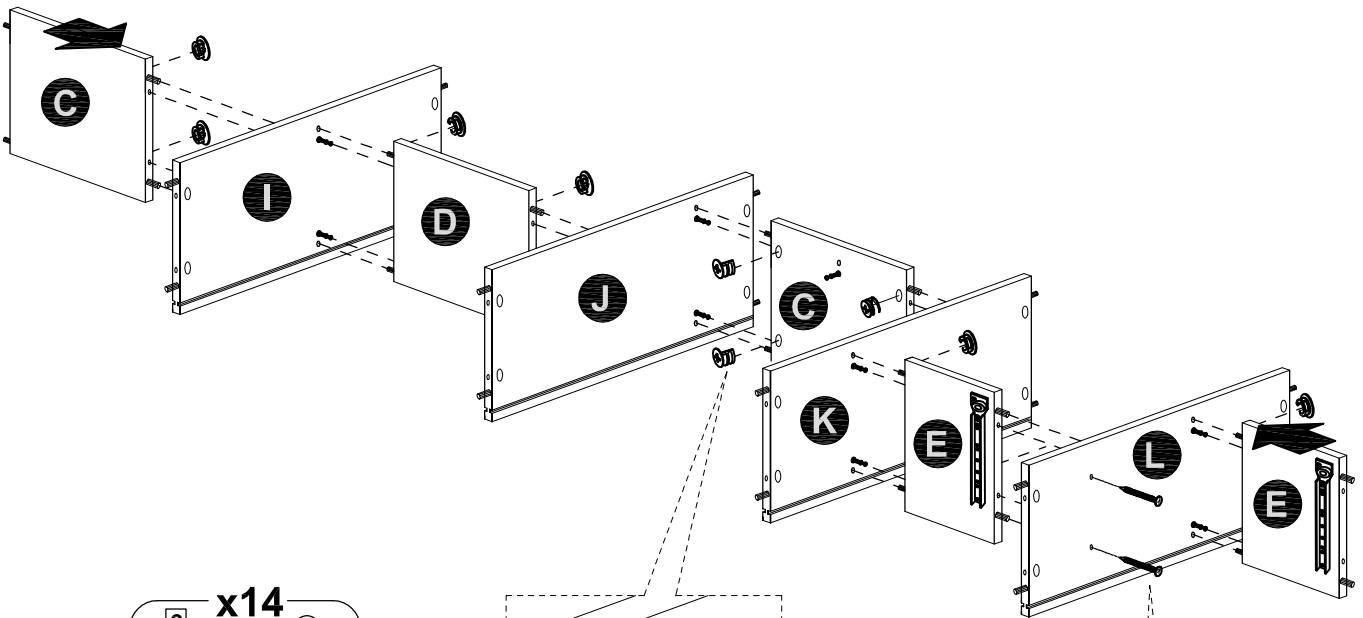
STEP 11



MODEL NAME:

BC 1680-02

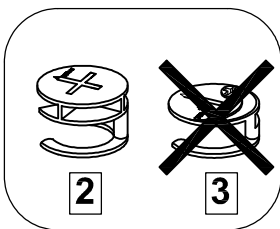
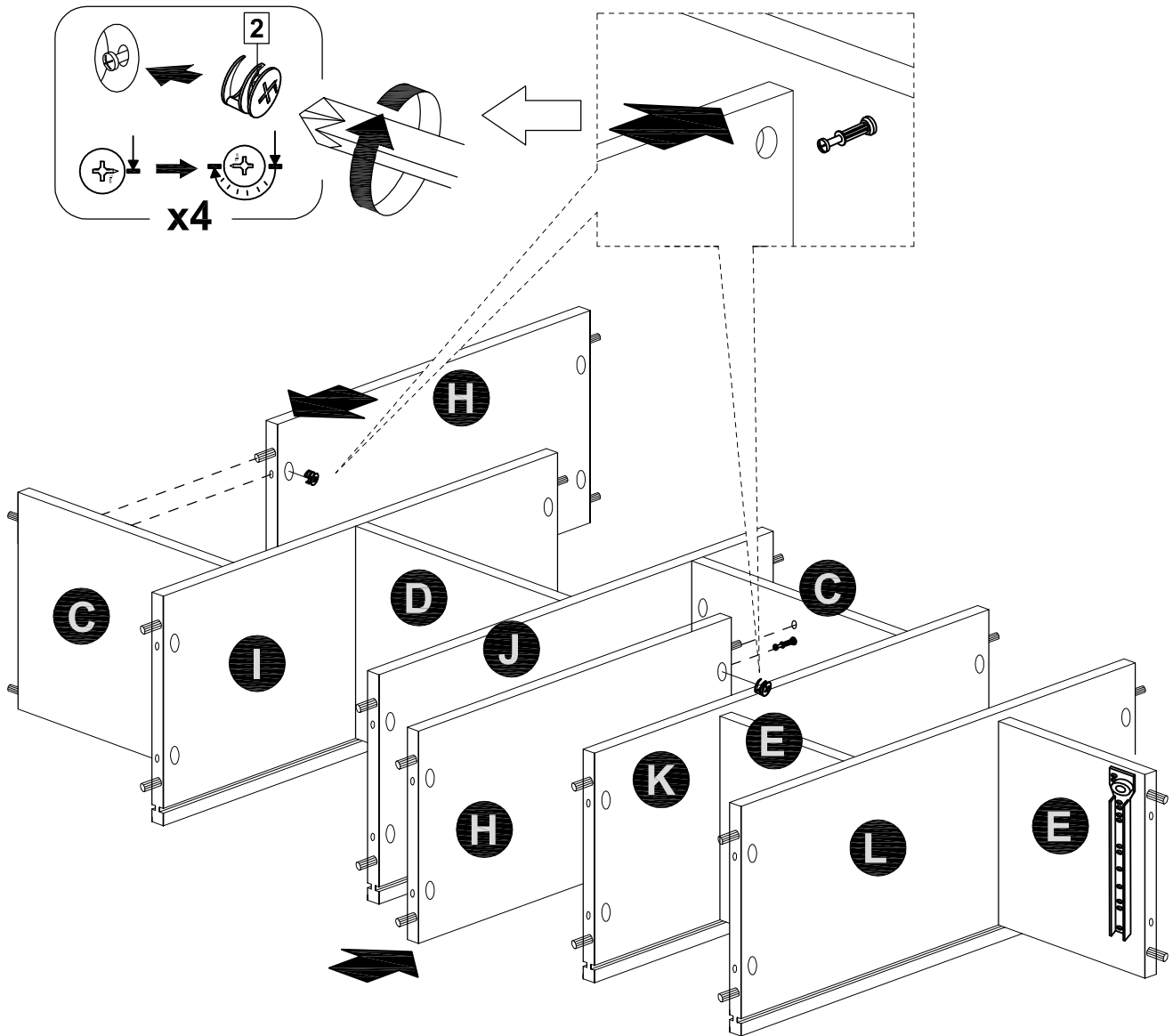
STEP 12



MODEL NAME:

BC 1680-02

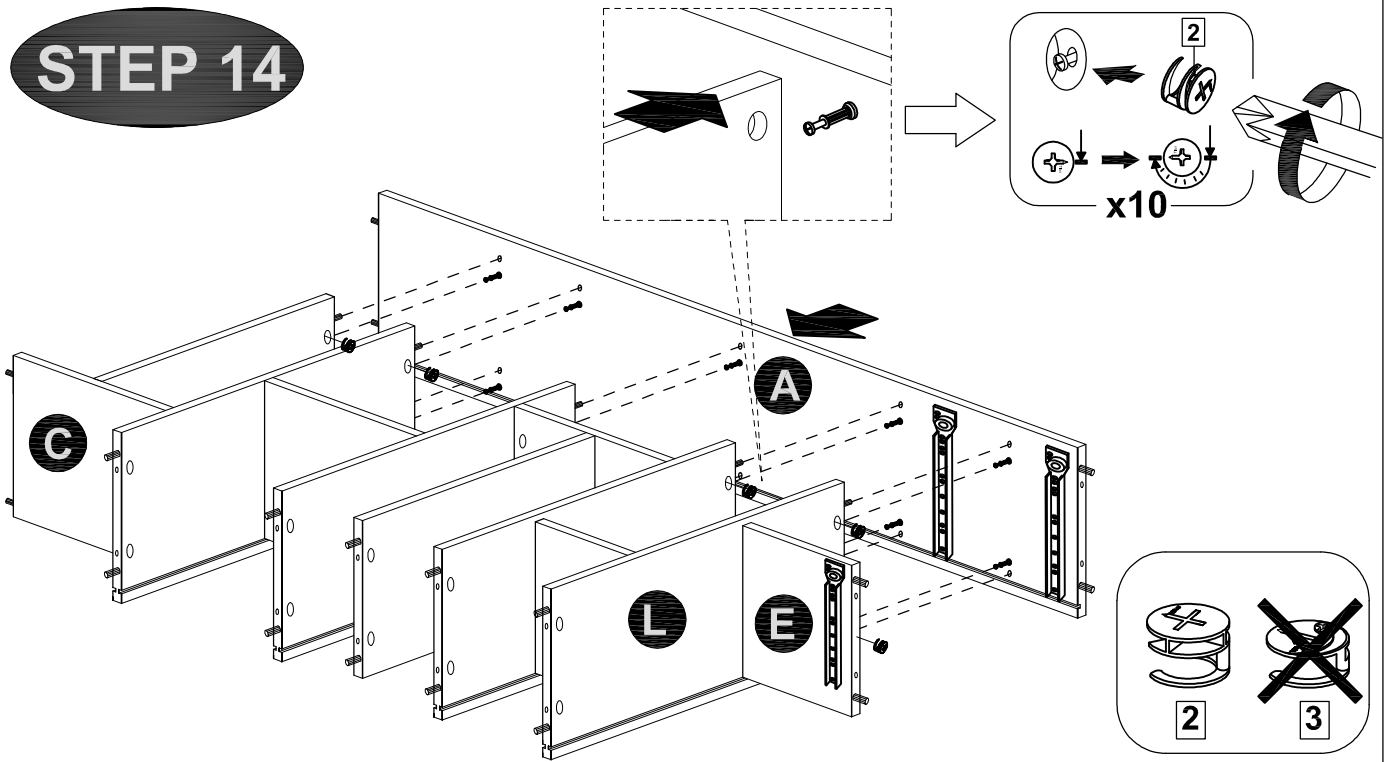
STEP 13



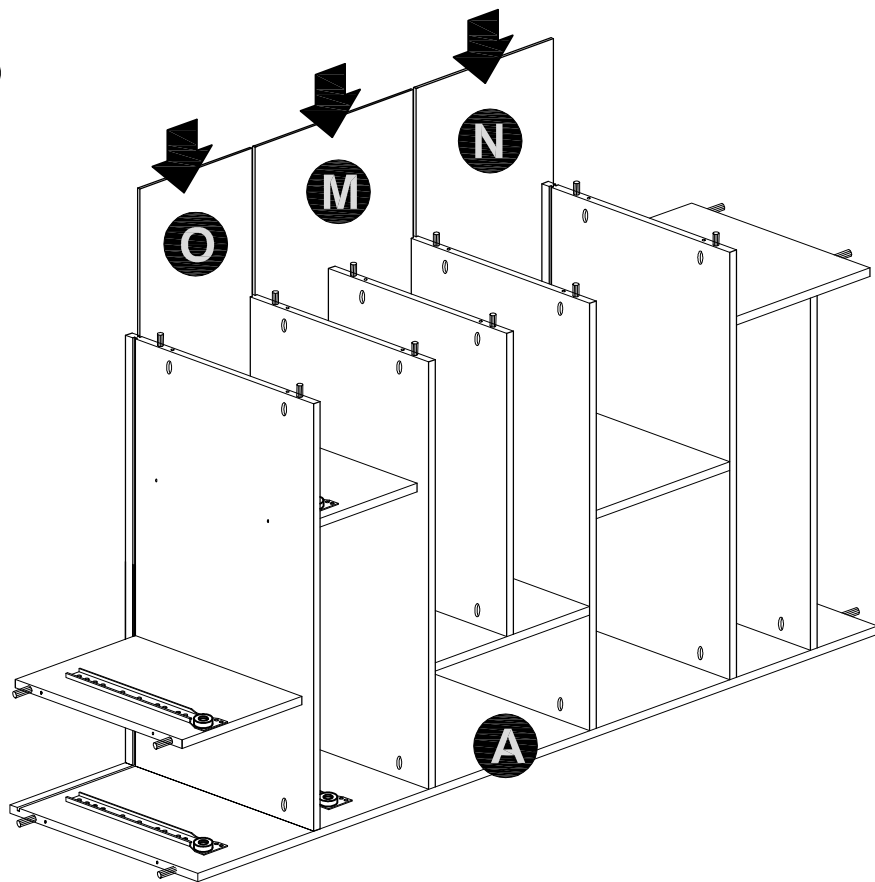
MODEL NAME:

BC 1680-02

STEP 14



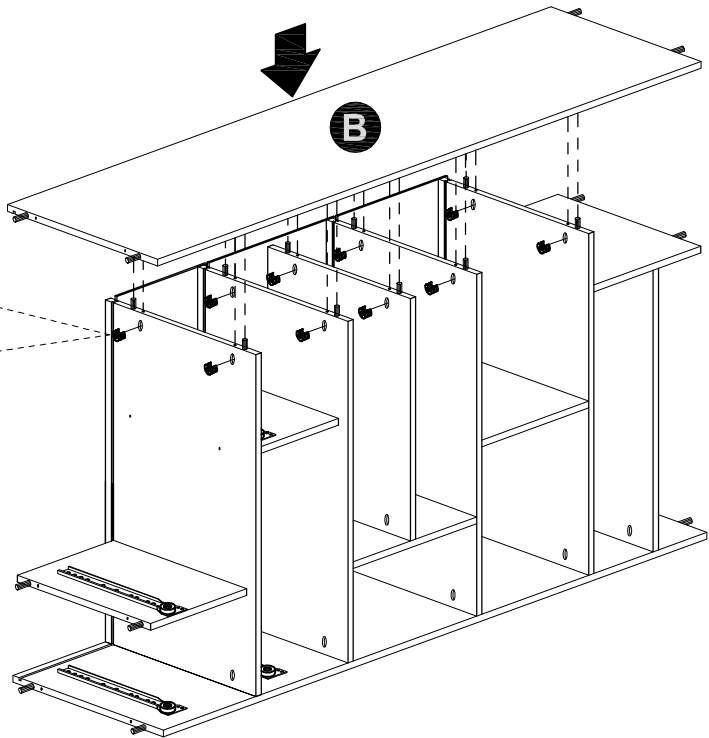
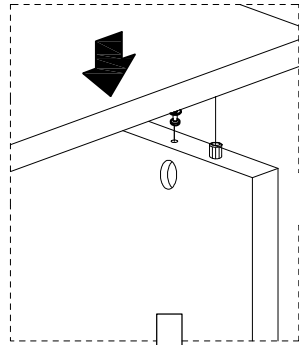
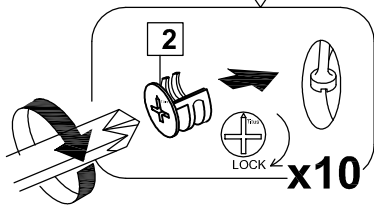
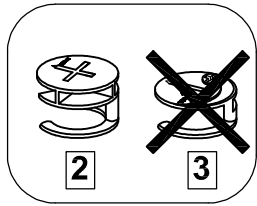
STEP 15



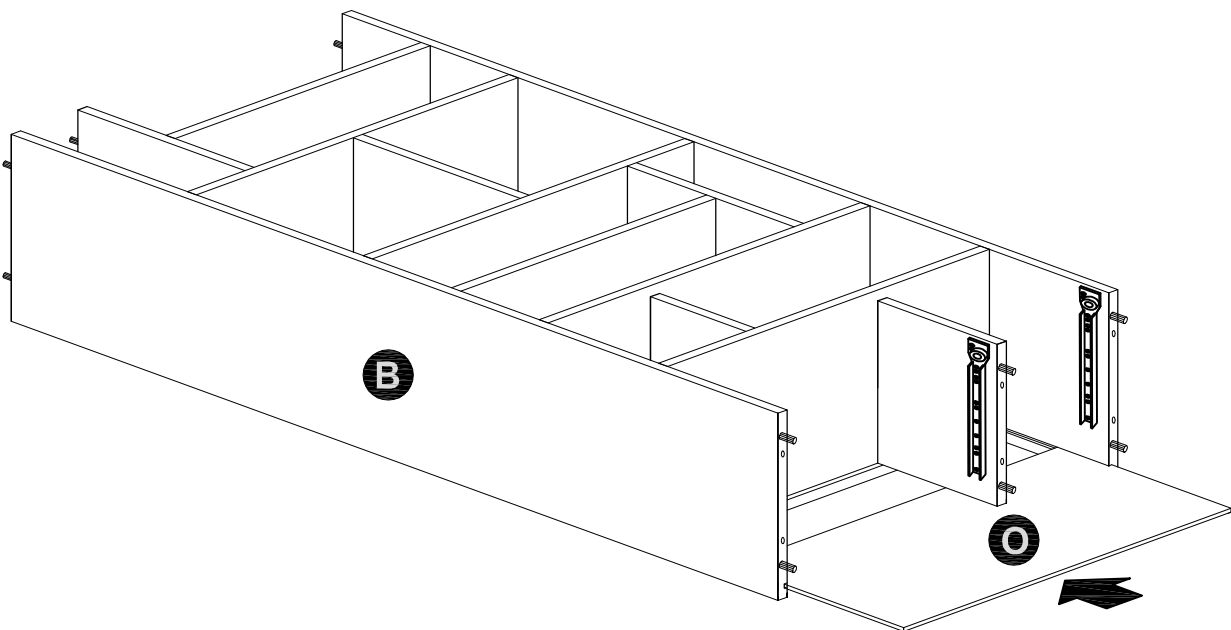
MODEL NAME:

BC 1680-02

STEP 16



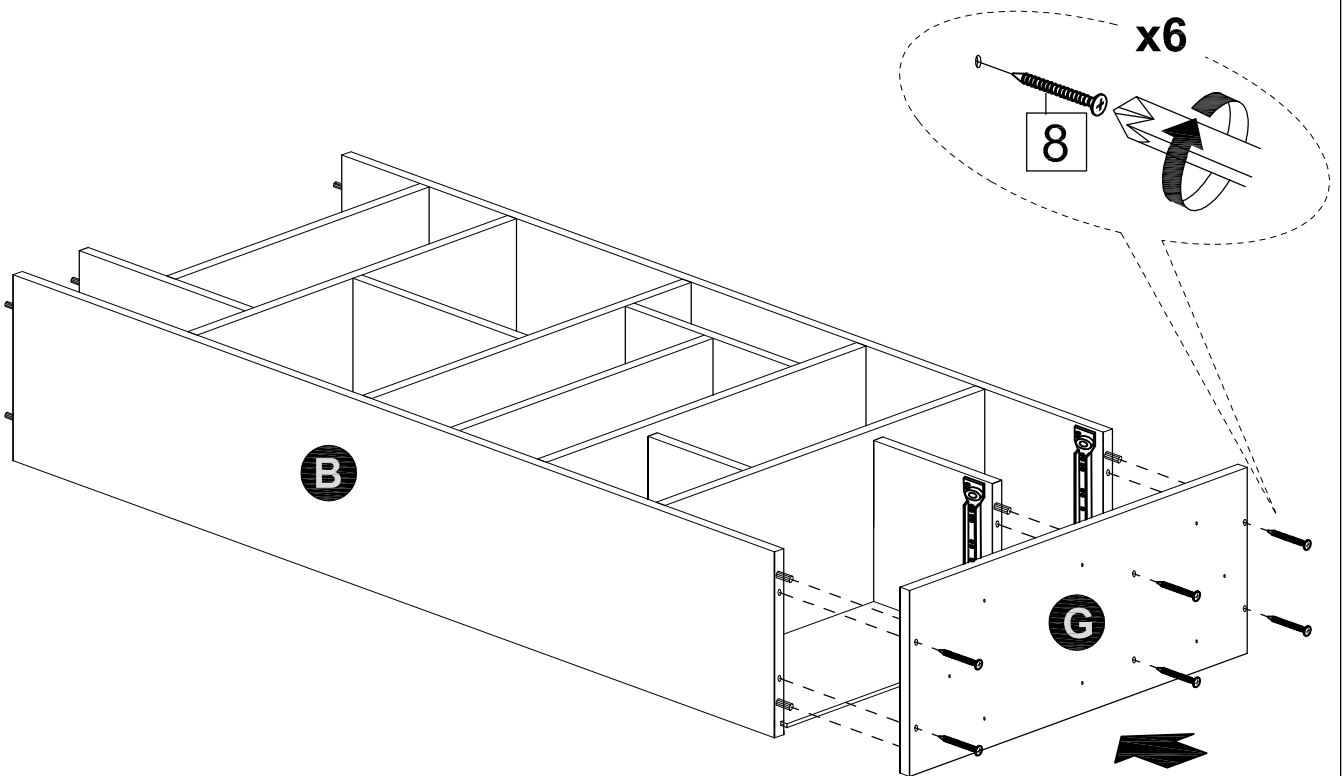
STEP 17



MODEL NAME:

BC 1680-02

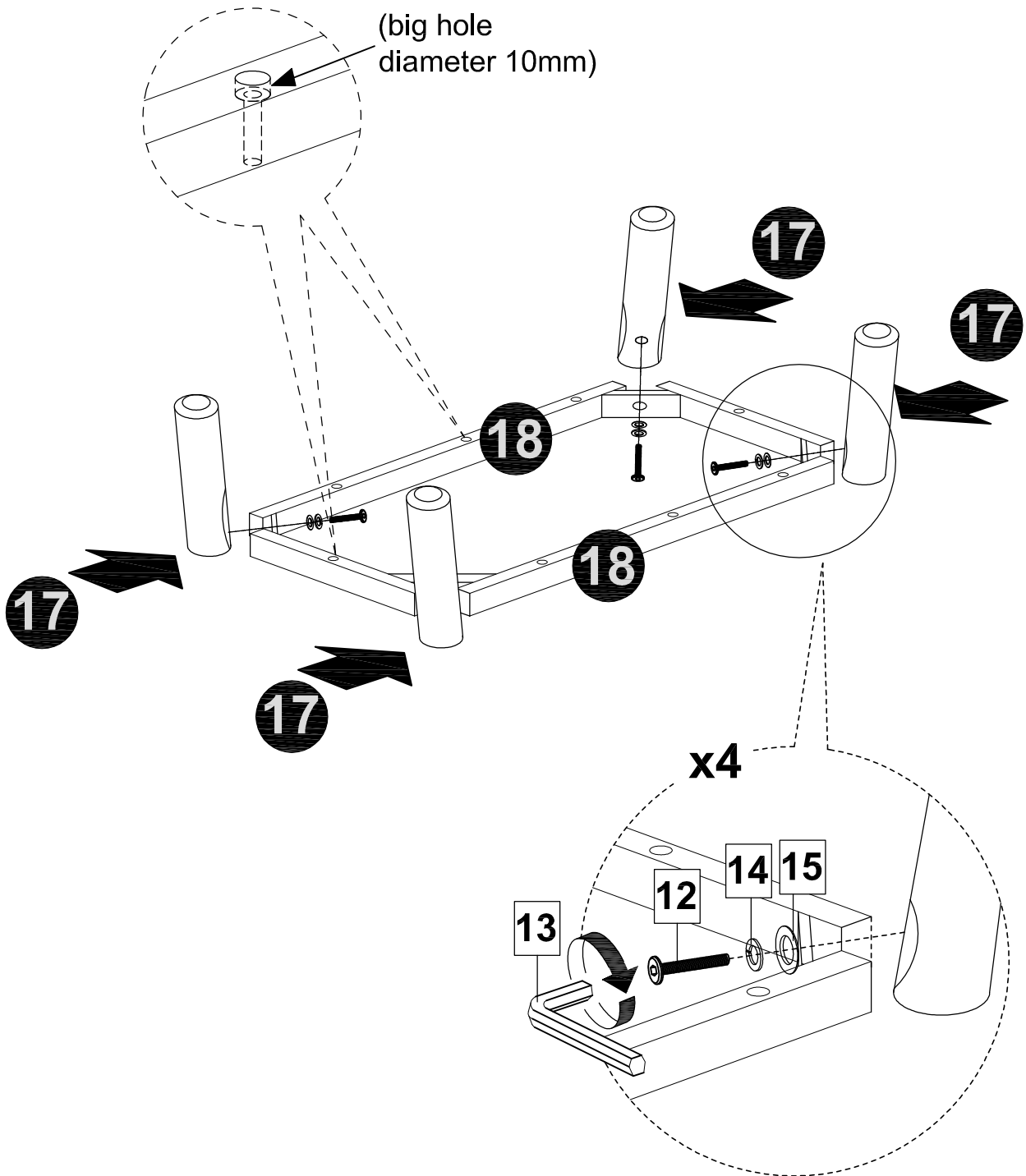
STEP 18



MODEL NAME:

BC 1680-02

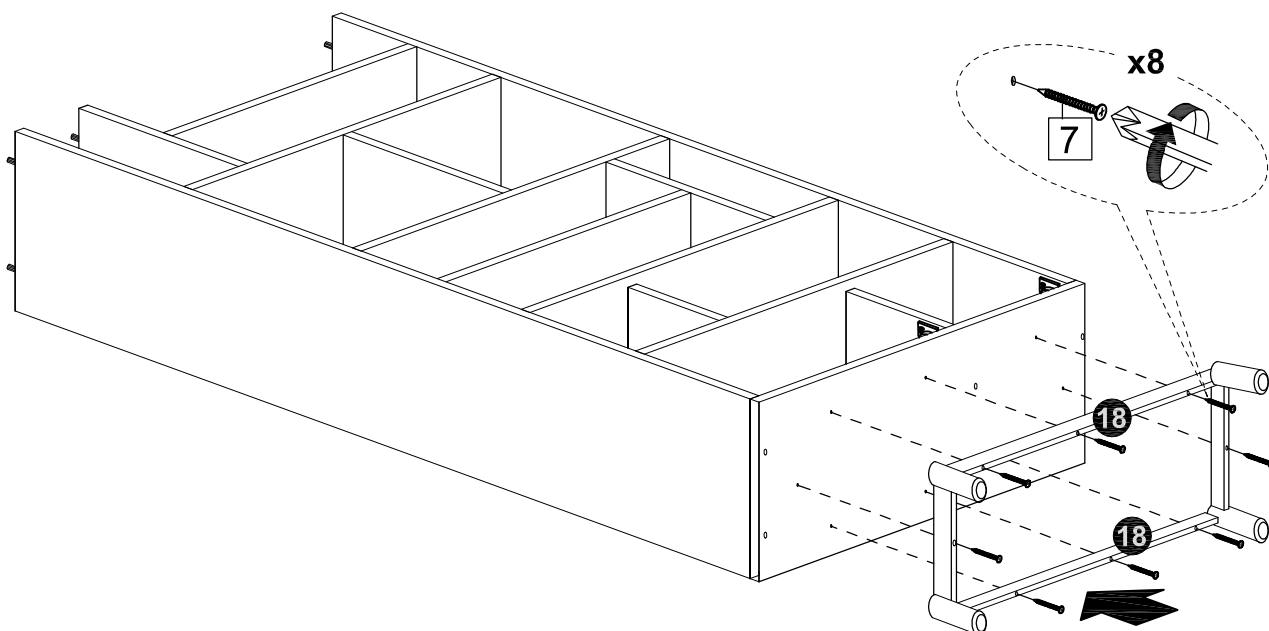
STEP 19



MODEL NAME:

BC 1680-02

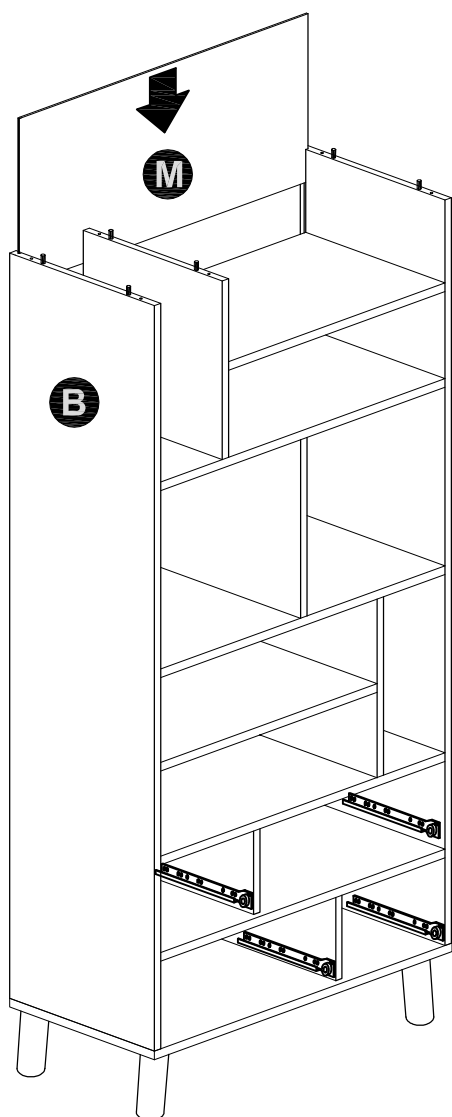
STEP 20



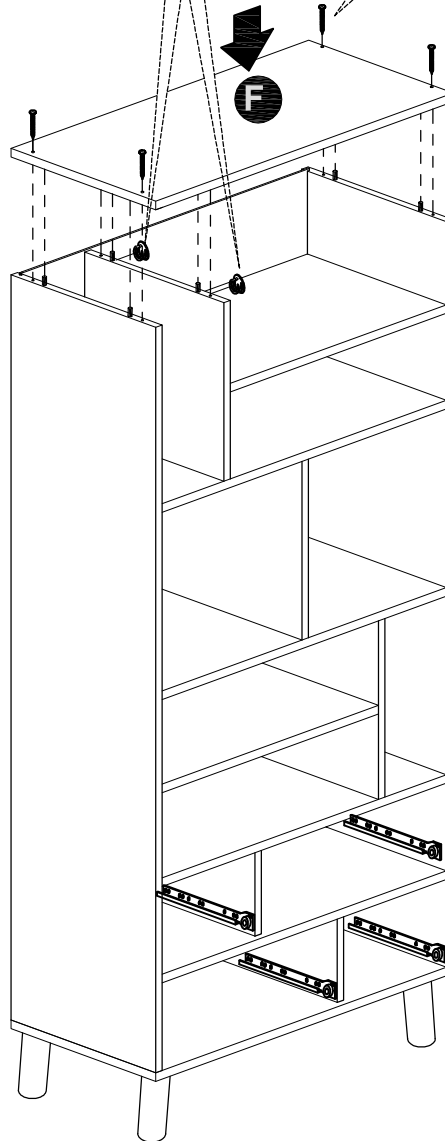
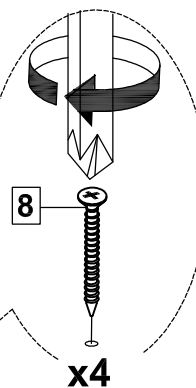
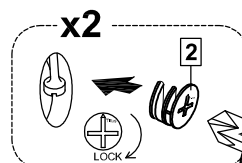
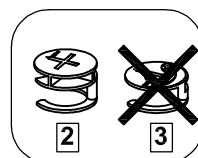
MODEL NAME:

BC 1680-02

STEP 21



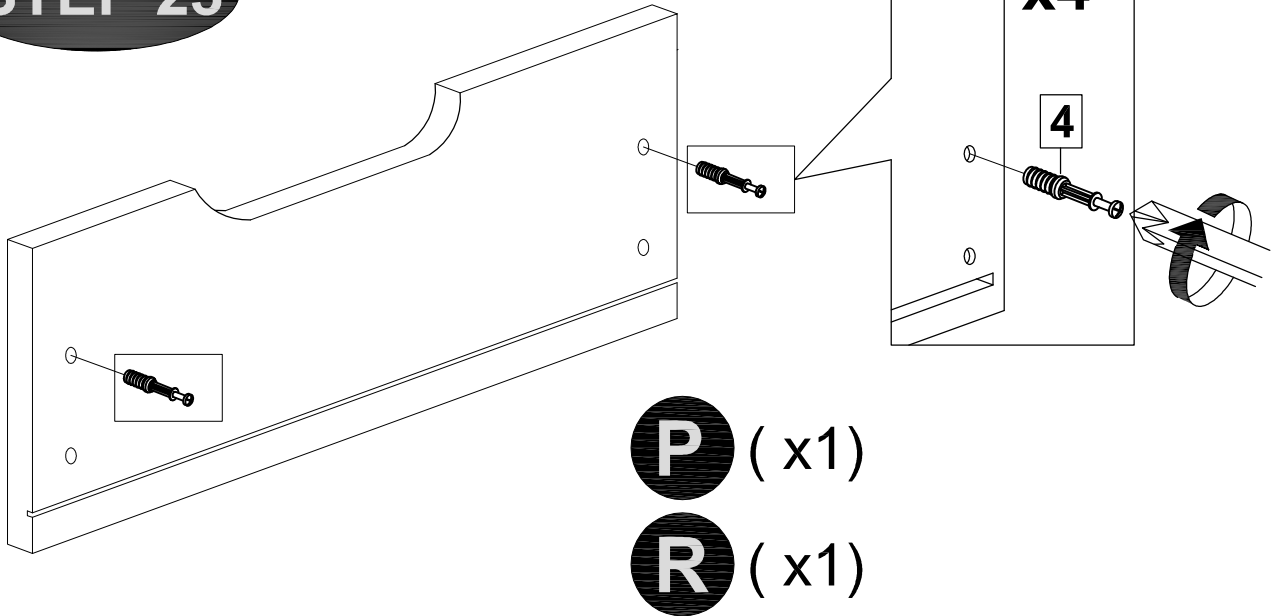
STEP 22



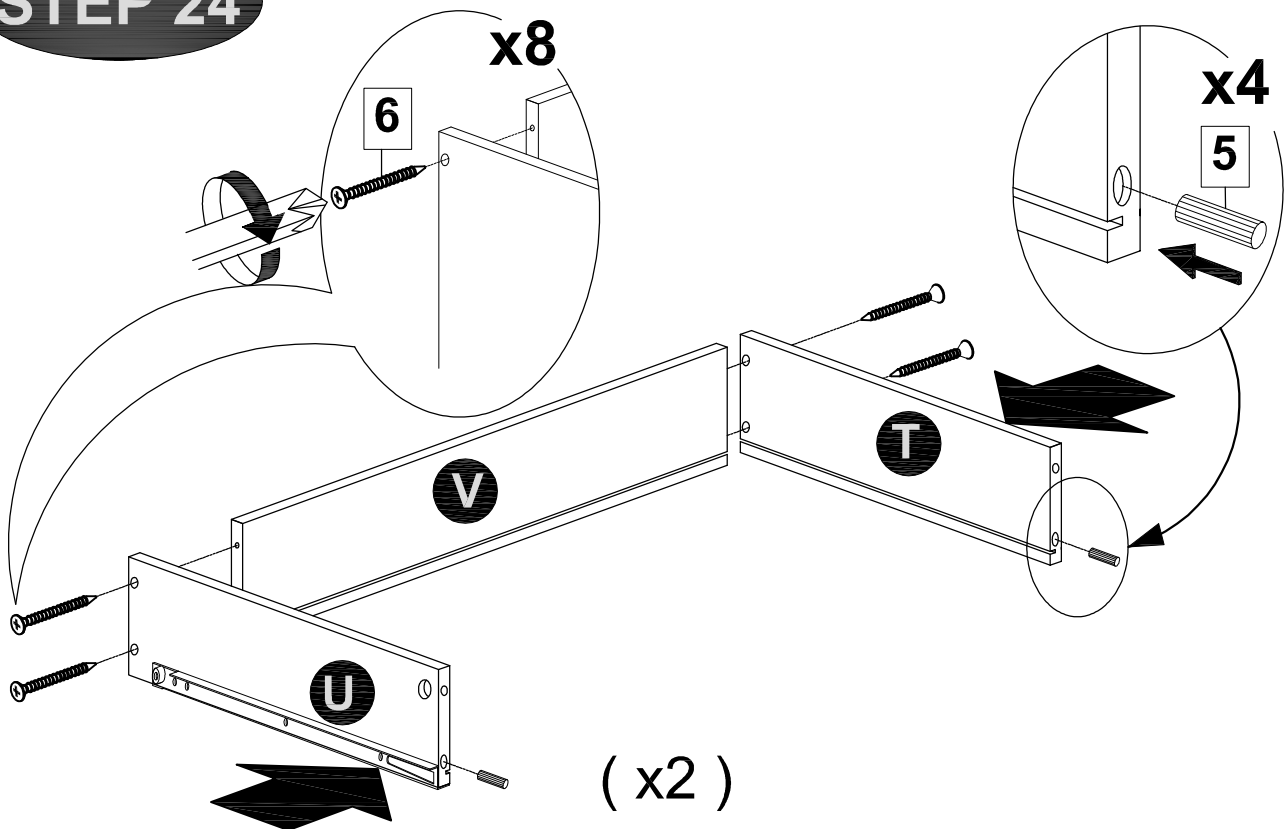
MODEL NAME:

BC 1680-02

STEP 23



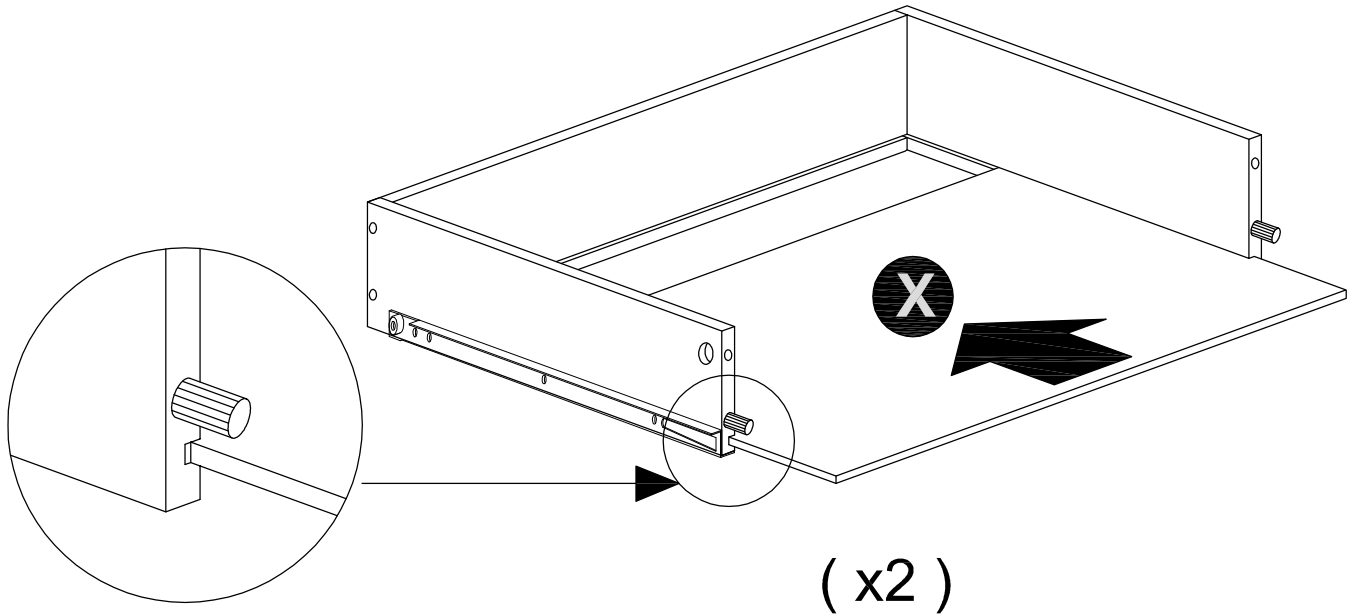
STEP 24



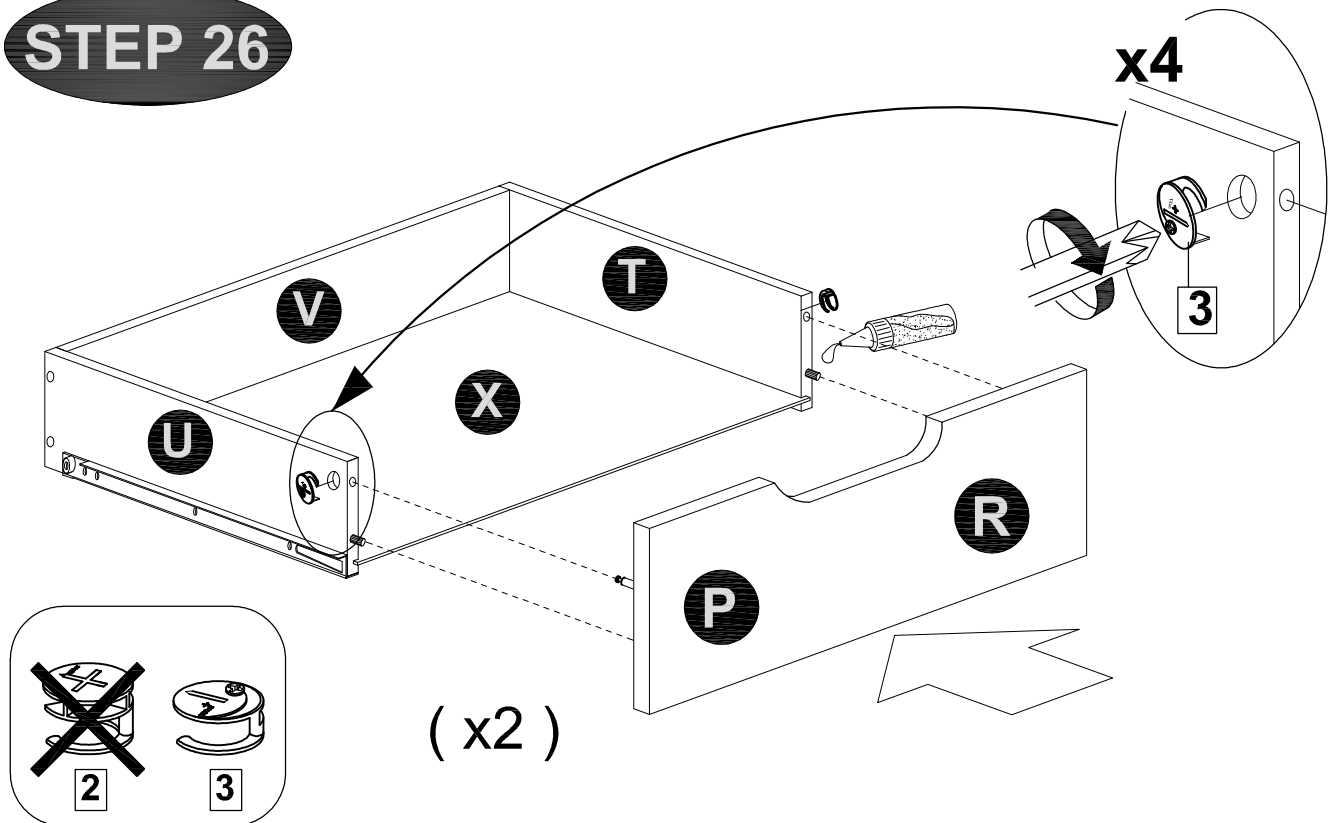
MODEL NAME:

BC 1680-02

STEP 25



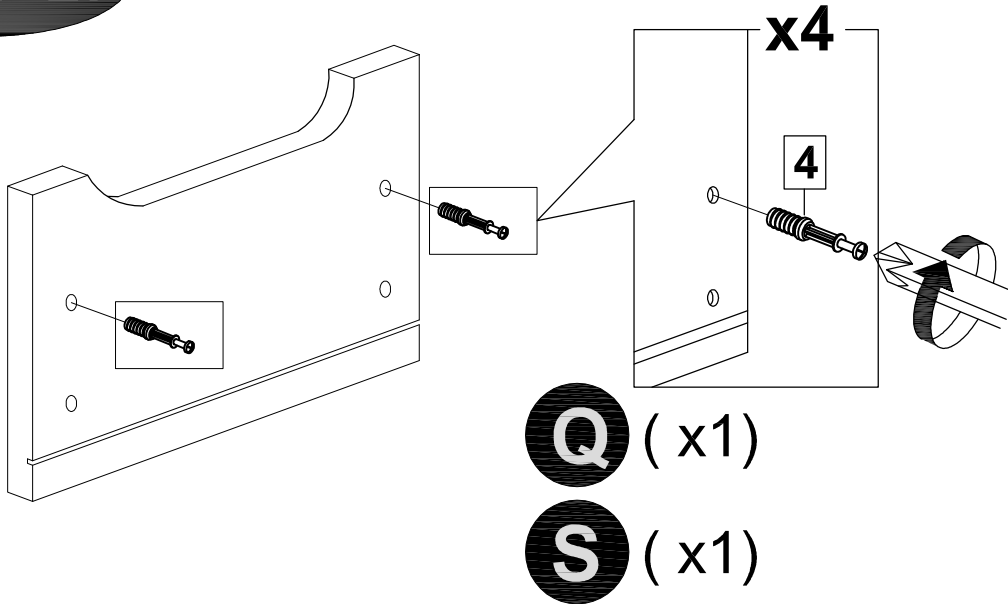
STEP 26



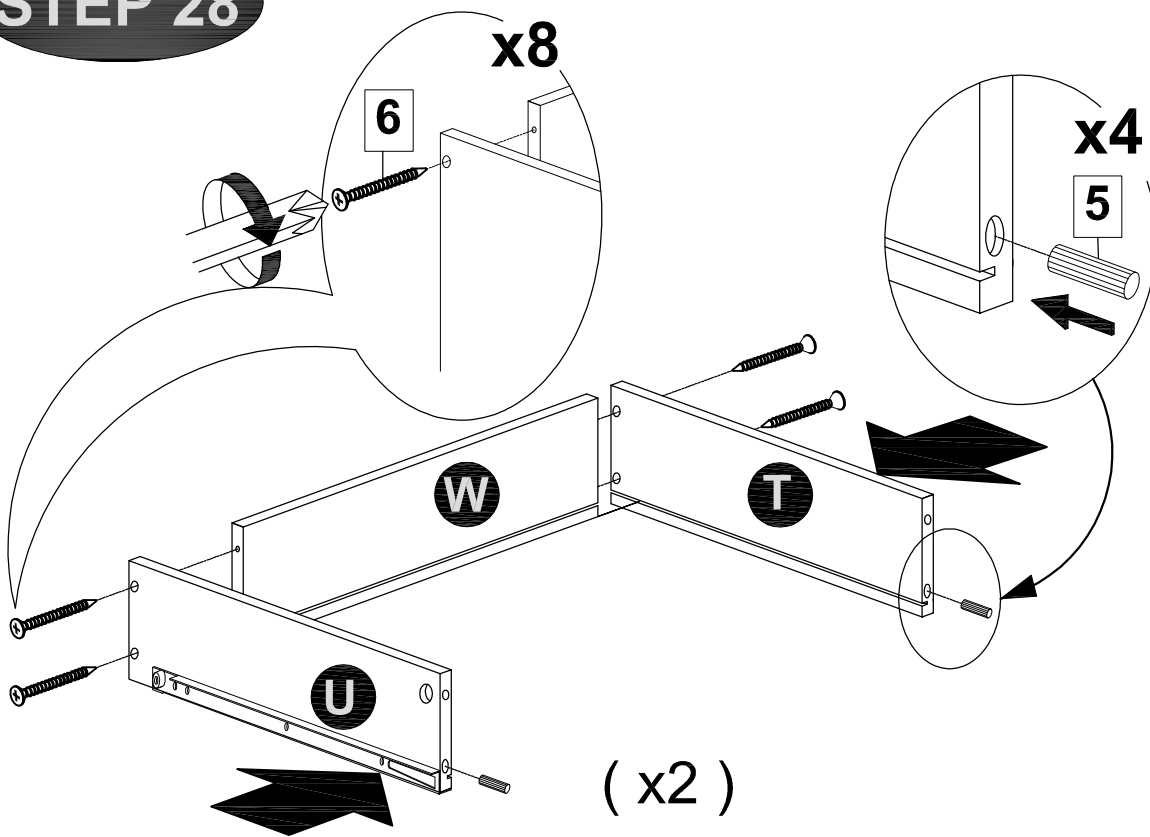
MODEL NAME:

BC 1680-02

STEP 27



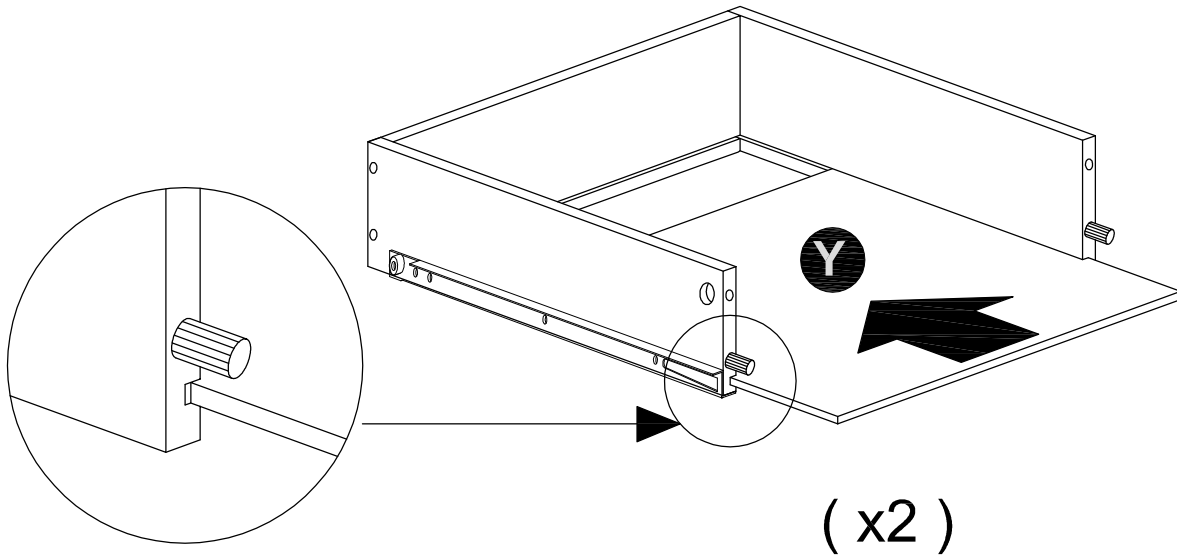
STEP 28



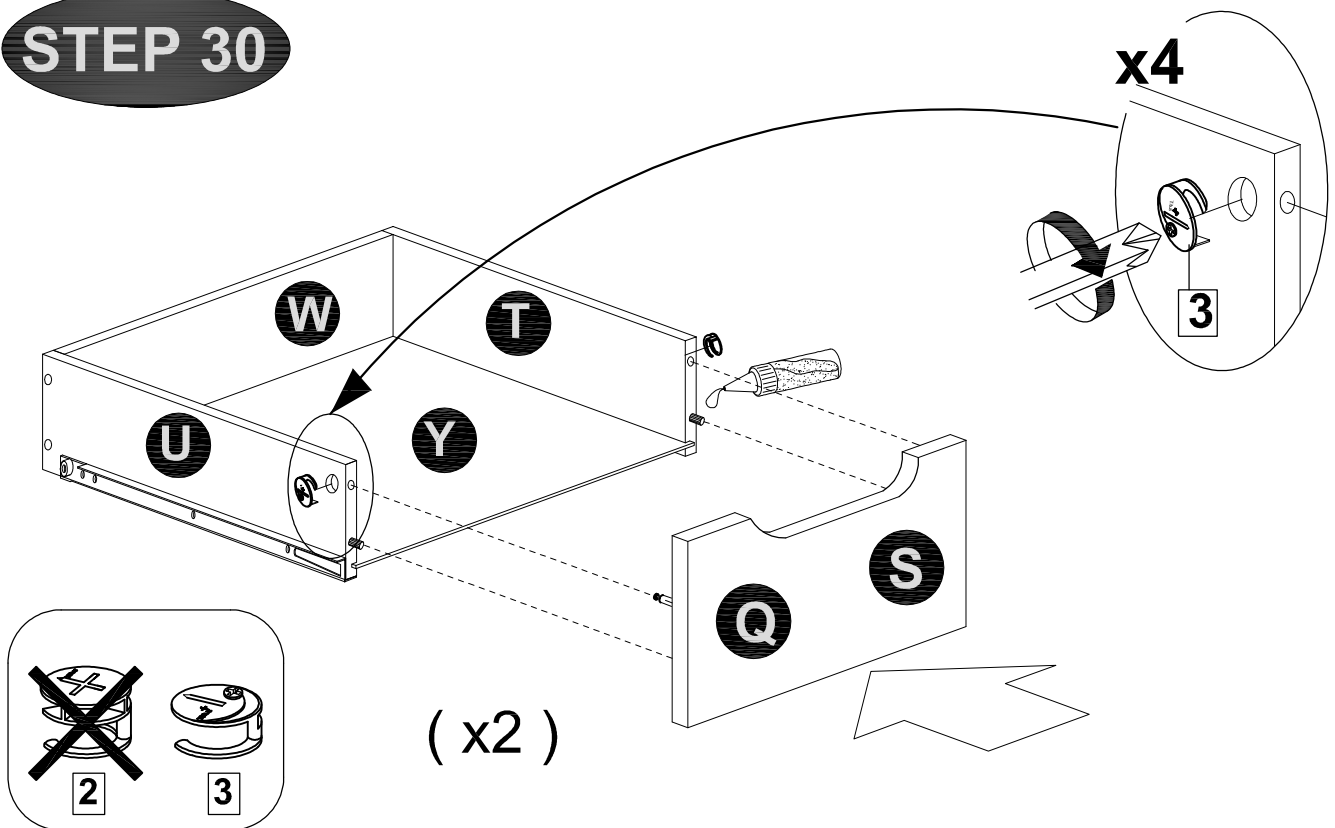
MODEL NAME:

BC 1680-02

STEP 29



STEP 30

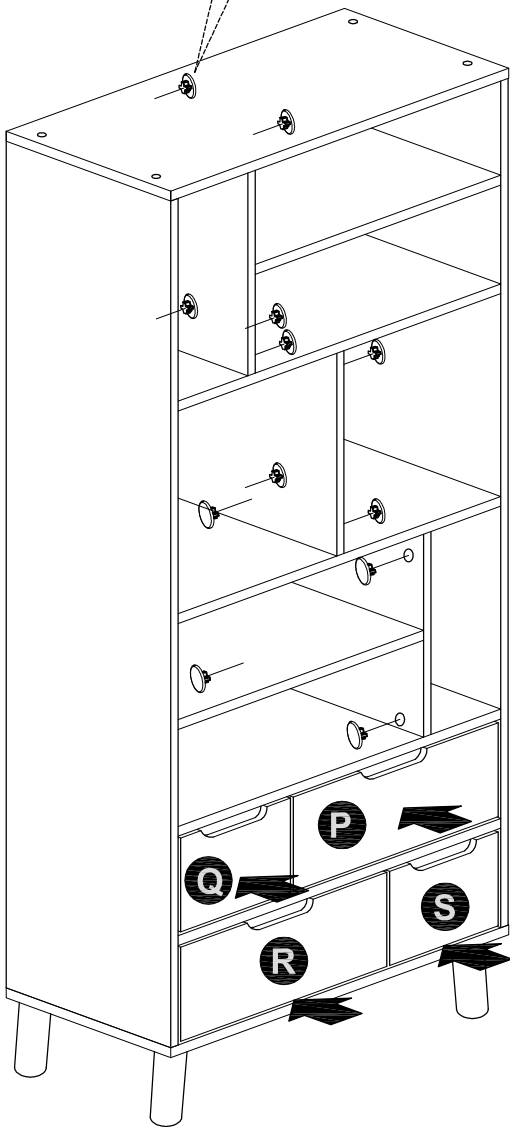
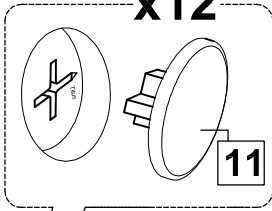


MODEL NAME:

BC 1680-02

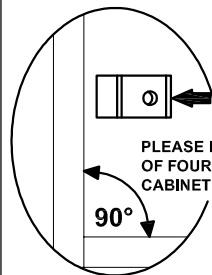
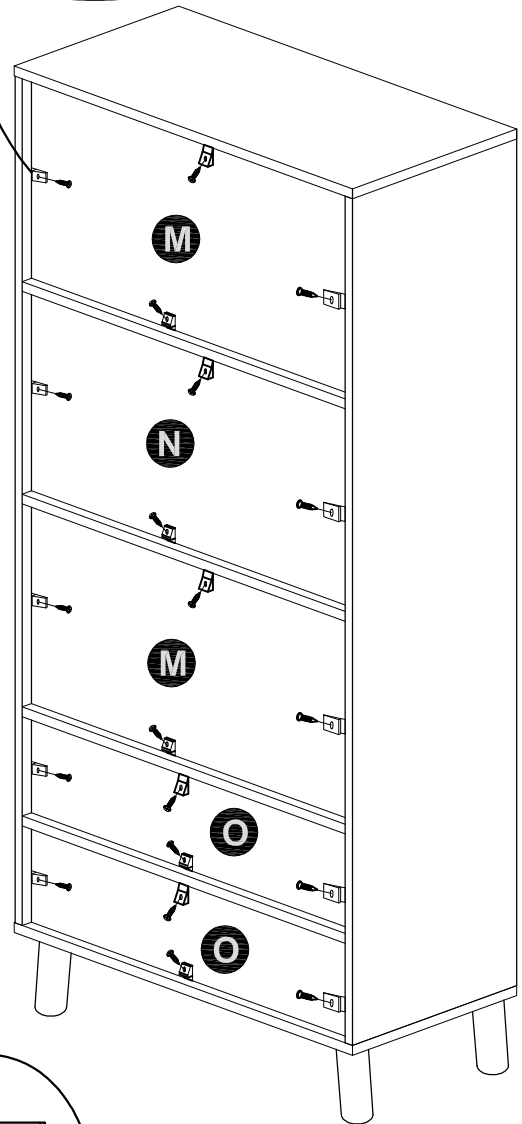
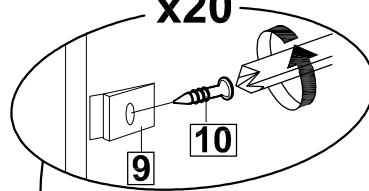
STEP 31

x12



STEP 32

x20



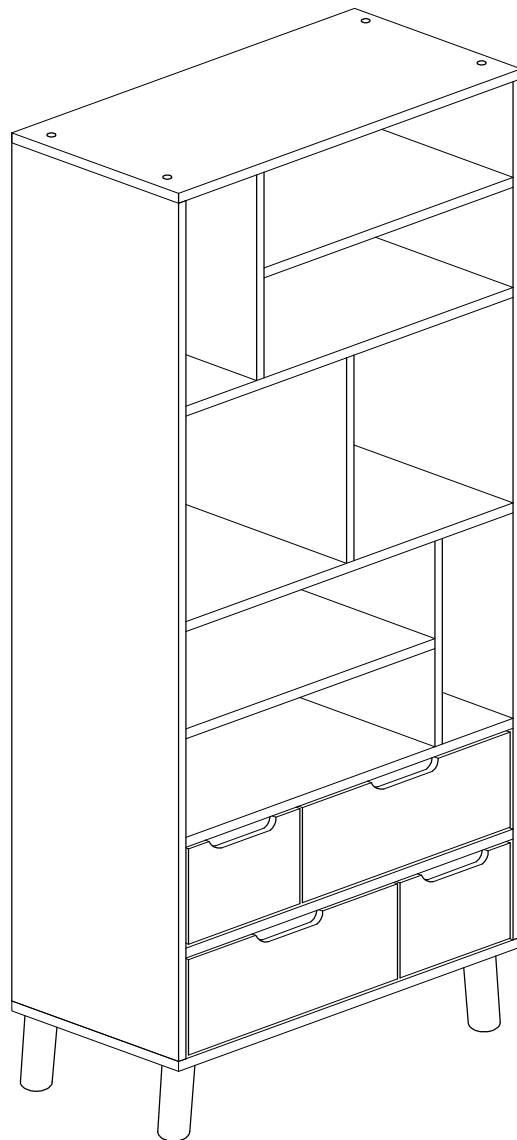
PLEASE ENSURE THAT EACH OF FOUR CORNERS OF CABINET ARE SQUARE

90°

MODEL NAME:

BC 1680-02

STEP 33



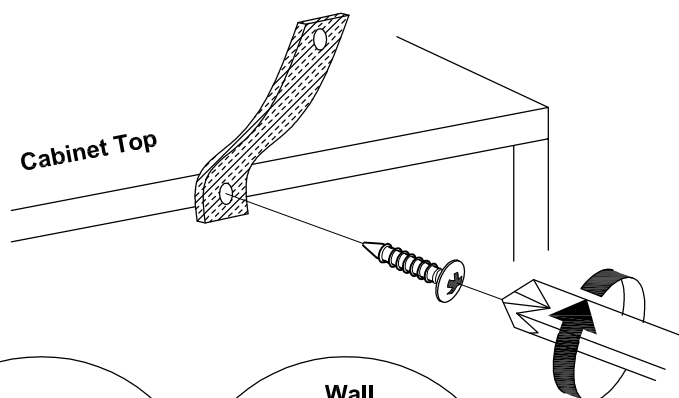
SAFETY WARNING :

It is recommended that you fit the anti-tip bracket to this item to avoid tipping and causing injury.

FITTING OF ANTI-TIP BRACKET

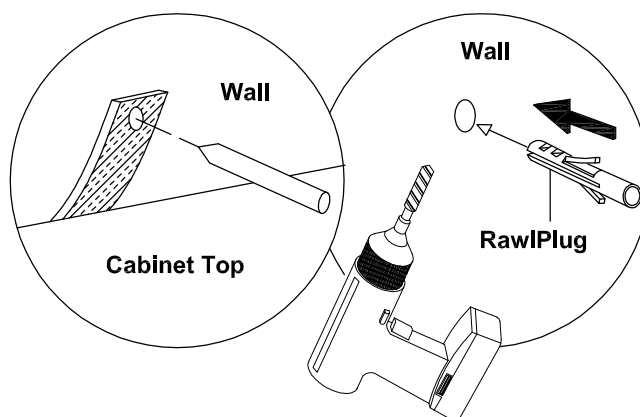
STEP 1 :

Insert screws through bracket into pre-drilled holes in cabinet.



STEP 2 :

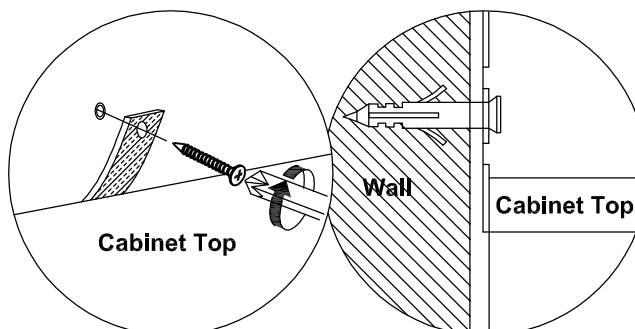
Make a mark on the wall through the bracket.



Drill a hole in the wall and insert the rawlplug.

STEP 3 :

Insert screw through bracket into hole in wall



NOTE : Wall fixings are not supplied with this product as different wall materials require different types of fixing devices (such as Rawl plugs on brick work). You must use fixing devices suitable for the type of wall you intend to mount this product to. Please ensure that the head of any screw used has a diameter greater than the diameter of the mounting hole on the bracket and that the fixing is safe and secure before use.

The screw supplied is to fix the anti-tip strap to the cabinet.

HARDWARE LIST



Anti-Tip Strap - 2pcs



M4 x 16MM - 2pcs