

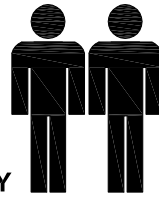
MODEL NAME:

BC 1580-01

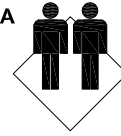
1.5hr

APPROXIMATE ASSEMBLY TIME

2 PERSON OF ASSEMBLY

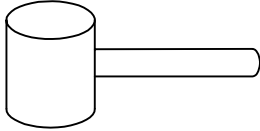


FLOOR AREA
2.5M X 3.0M

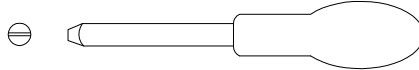


REQUIRED ASSEMBLY SPACE

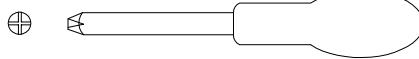
REQUIRED ASSEMBLY TOOLS



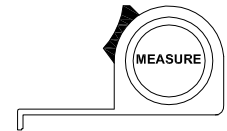
SOFT RUBBER HAMMER



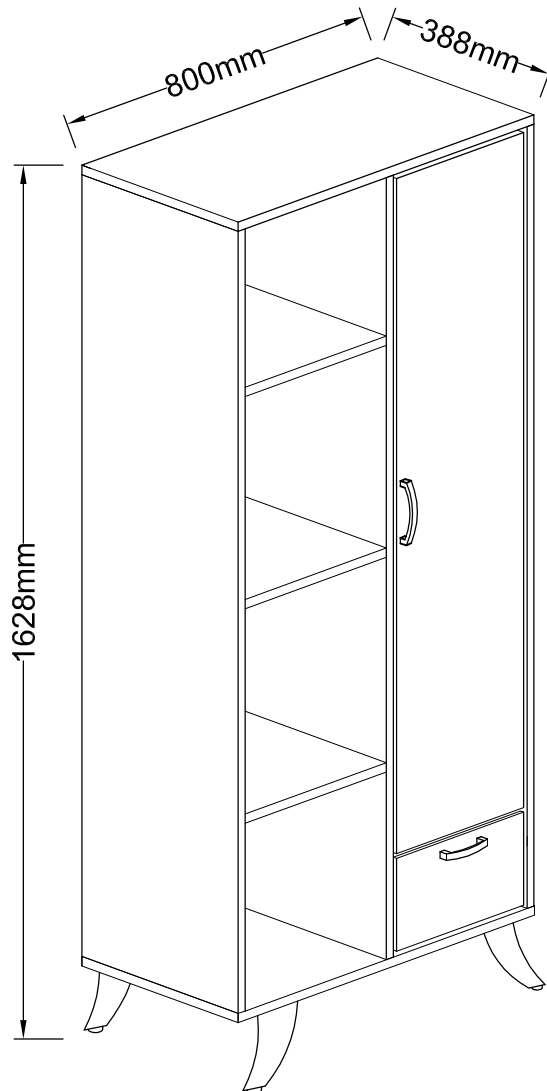
SLOTTED SCREWDRIVER



POZI SCREWDRIVER



MEASURING TAPE



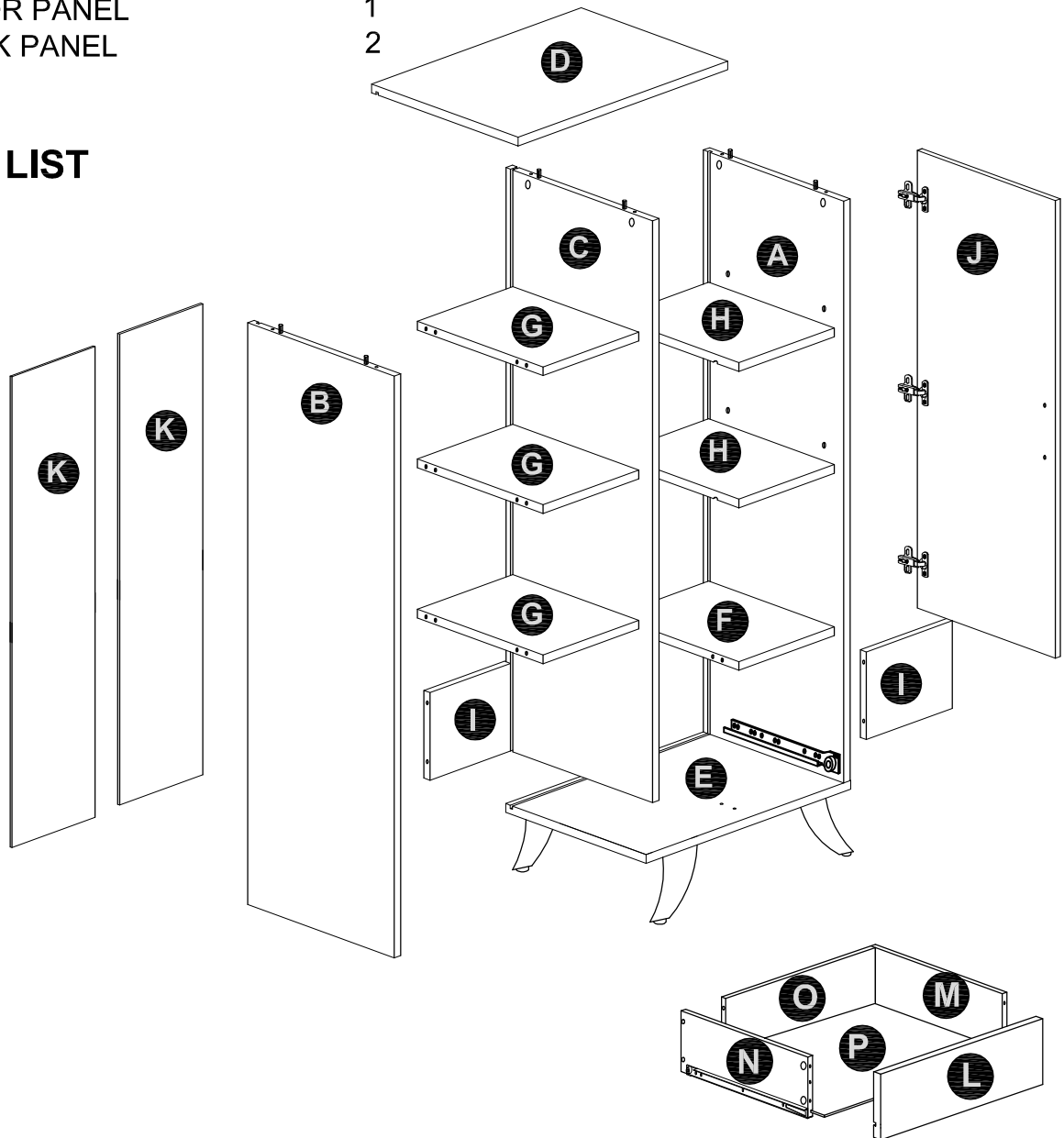
NOTE : THE MAXIMUM WEIGHT THIS PRODUCT CAN HOLD UP TO 25 KGS.

MODEL NAME:

BC 1580-01

NO.	PART LIST	QTY	NO.	PART LIST	QTY
(A)	RIGHT SIDE PANEL	1	(L)	DRAWER FRONT	1
(B)	LEFT SIDE PANEL	1	(M)	DRAWER RIGHT SIDE PANEL	1
(C)	CENTRE PANEL	1	(N)	DRAWER LEFT SIDE PANEL	1
(D)	TOP PANEL	1	(O)	DRAWER BACK PANEL	1
(E)	BOTTOM PANEL	1	(P)	DRAWER BASE	1
(F)	FIXED PANEL-A	1			
(G)	FIXED PANEL-B	3			
(H)	ADJUSTABLE PANEL	2			
(I)	BACK SUPPORT	2			
(J)	DOOR PANEL	1			
(K)	BACK PANEL	2			

PARTS LIST



MODEL NAME:

BC 1580-01

HARDWARE LIST

3cm
2cm
1cm
0cm

22X
Dia.15mm
1
LARGE
CAMLOCK

1X
2
DOOR
SOFT CLOSED

24X
M6.5
3
QUICKFIT

38X
Dia.6 x 30mm
4
WOOD
DOWEL

2X
5
GLUE 10CC

4cm
3cm
2cm
1cm
0cm

10X
M8 x 38mm
6
FLAT HEAD
SCREW

12X
M8 x 5/8mm
7
FLAT HEAD
SCREW

20X
M3.5 x 16mm
8
FLAT HEAD
SCREW

2X
9
HANDLE

4X
M4 x 19mm
10
PAN HEAD
SCREW

3X
11
ADJUSTABLE
HINGE

16X
12
BACKPLY
STOPPER

16X
M3 x 20mm
13
FLAT HEAD
SCREW

4X
14
METAL LEG

2X
Dia.15mm
15
SMALL
CAMLOCK

4X
M3.5 x 25mm
16
FLAT HEAD
SCREW

8X
Dia.5 x 16mm
17
SHELF STUB

4X
Dia 17mm
18
UNIVERSAL CAP
(OPTIONAL)

2X
19
ANTI TIP STRAP

MODEL NAME:

BC 1580-01

Top Tips before you start!

1. Please check that all parts are present before you start the assembly of your furniture.
2. For ease and speed of assembly, we recommend that before you commence each step of the assembly, that you identify all the parts required for that step.
3. For larger items, please ensure that you have sufficient space and people (as indicated on page 1) to assemble your product safely
4. We recommend that, where possible, all items are assembled near to the area in which they will be placed in use, to avoid moving the product unnecessarily once assembled.
5. For the protection of your furniture, we recommend that the product is placed on a protected surface during assembly to prevent any damage.
6. During assembly please take care not to over-tighten any fittings, as this may damage the product.
7. Always place the product on a flat, steady and stable surface.
8. Do not sit or stand on the product. Do not use the product as a stepladder.
9. This product is intended for indoor, household use only as it is non industrial product.
10. This product is constructed from re-inforced hollow board. Excessive pressure causes irreparable damage. Please do not kneel on any part of this product during assembly.

Care and Maintenance of your Furniture

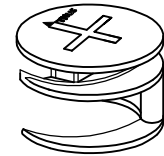
- Please periodically check all fittings and re-tighten as necessary.
- To clean your item, please use a damp cloth and wipe clean.
- Never allow any kind of liquid to remain on your furniture. Absorption can cause wood to warp or finishes to de-laminate.
- Please do not place hot items (e.g. hot drinks) directly on to the wood surface.
- Please do not drag and pull your furniture.

MODEL NAME:

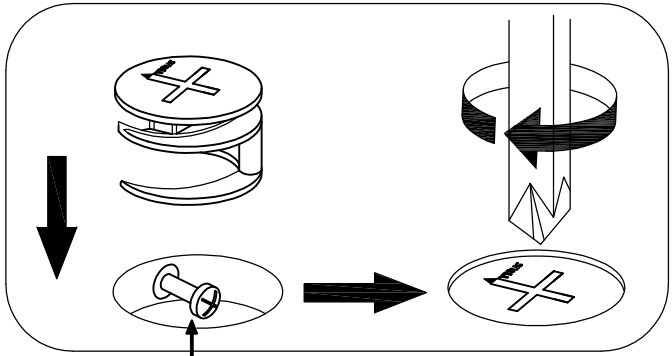
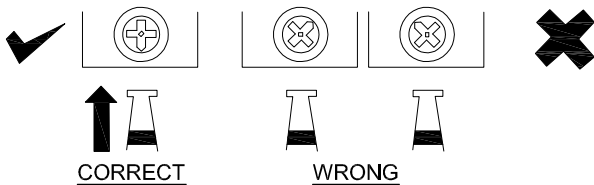
BC 1580-01

SPECIAL TIPS FOR FITTING CAM-LOCKS AND QUICKFIT

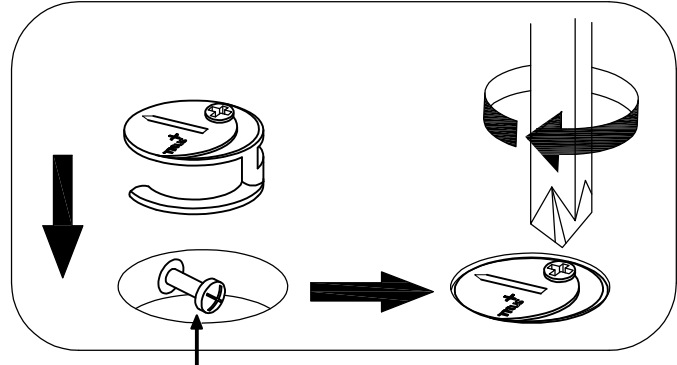
CAM-LOCK



WHEN FITTING CAMLOCK
ENSURE STARTING POSITION IS CORRECT
BEFORE YOU INSERT CONNECTING QUICKFIT
TURN CLOCKWISE UNTIL SECURE



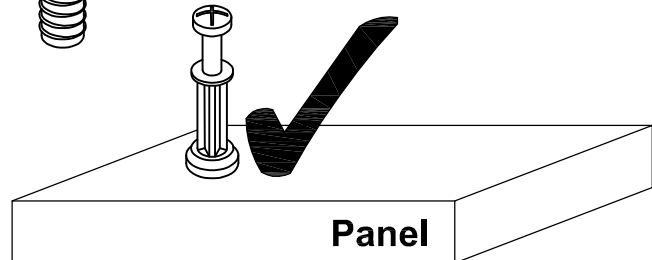
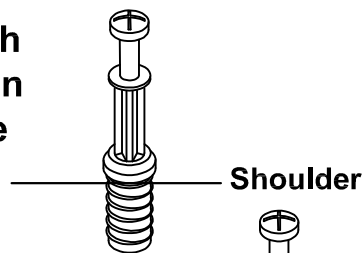
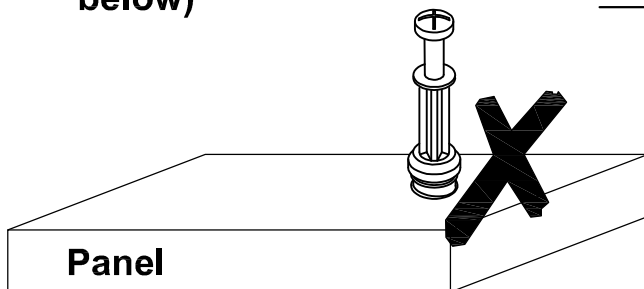
Quickfit head needs to be in centre



Quickfit head needs to be in centre

QUICKFIT

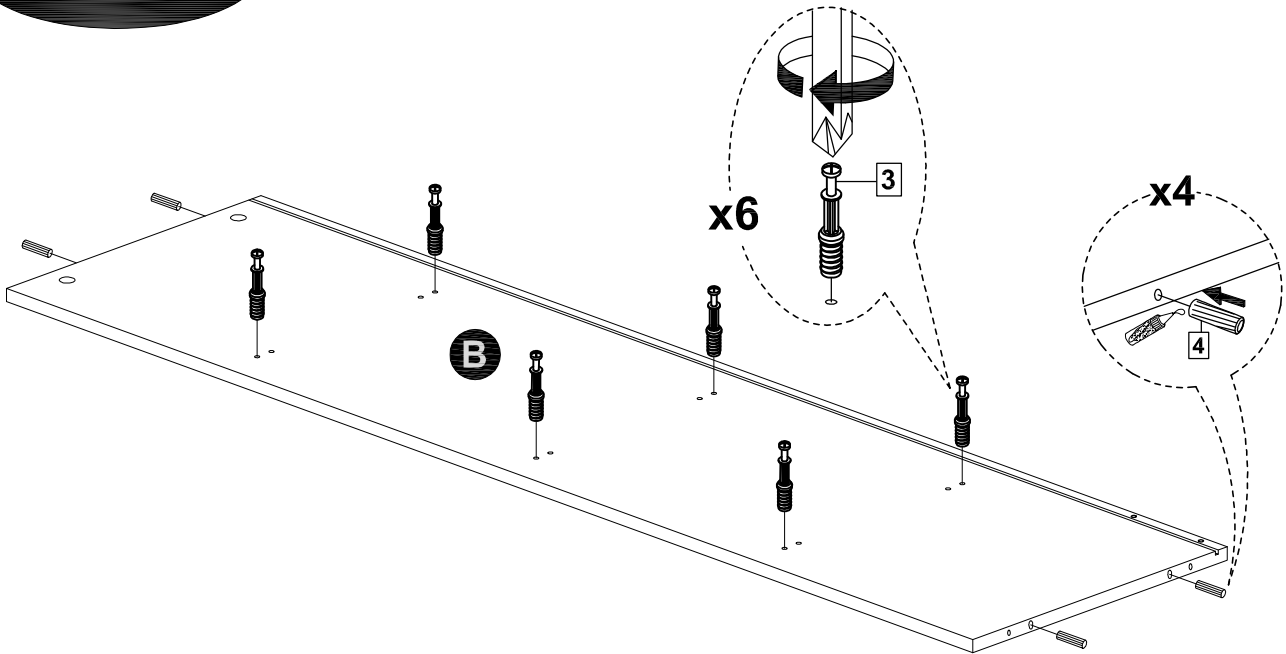
Tighten until shoulder is flush with panel. Do not overtighten or undertighten (see example below)



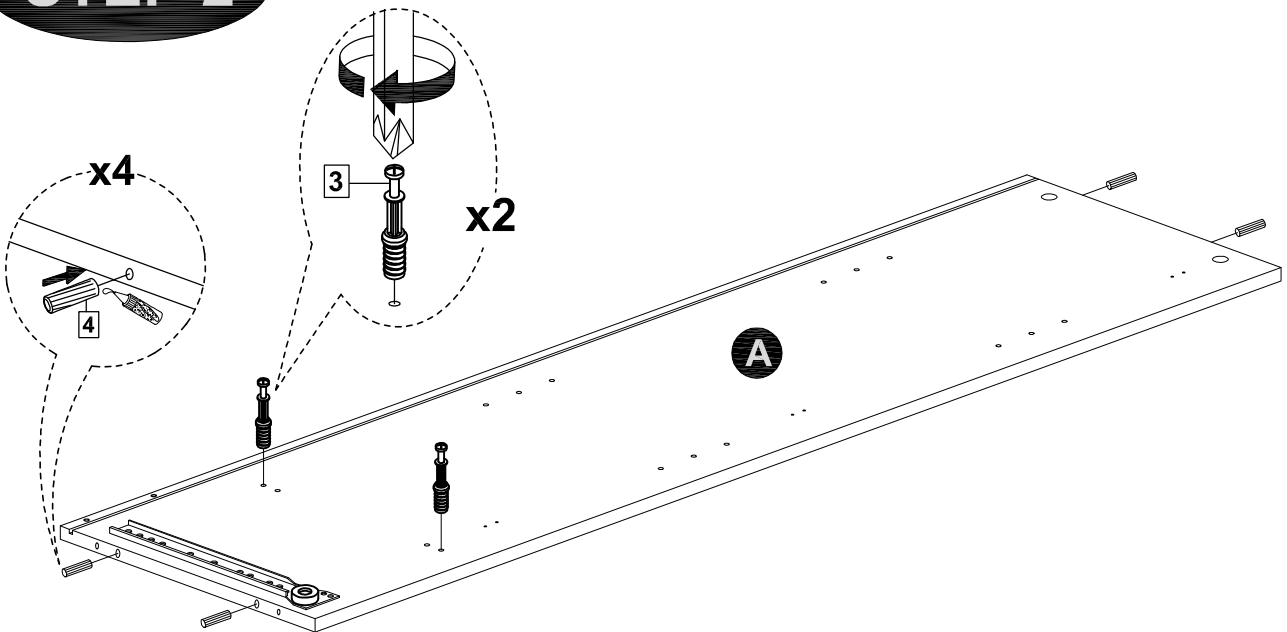
MODEL NAME:

BC 1580-01

STEP 1



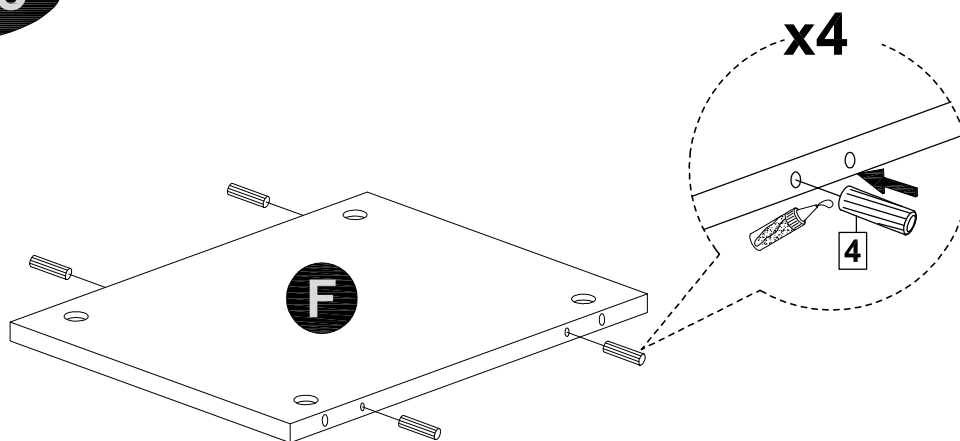
STEP 2



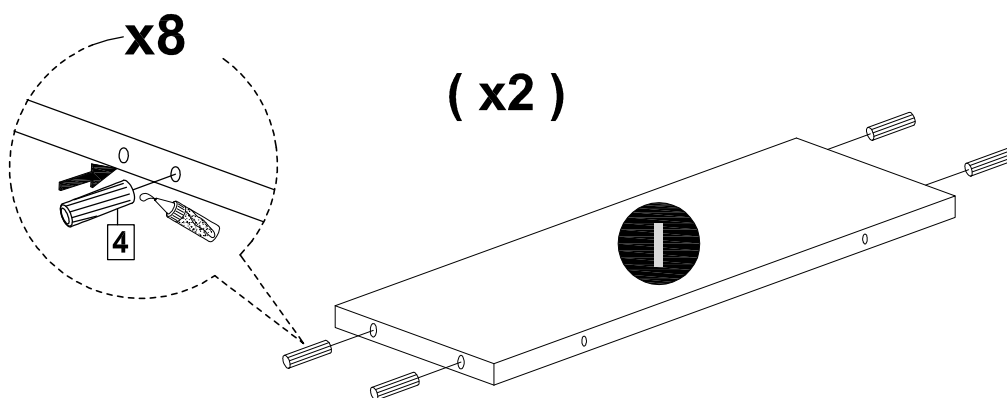
MODEL NAME:

BC 1580-01

STEP 3



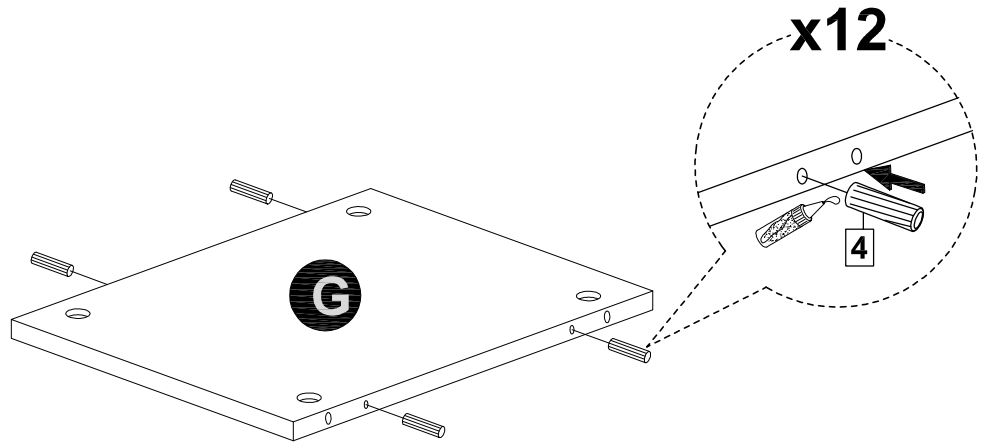
STEP 4



MODEL NAME:

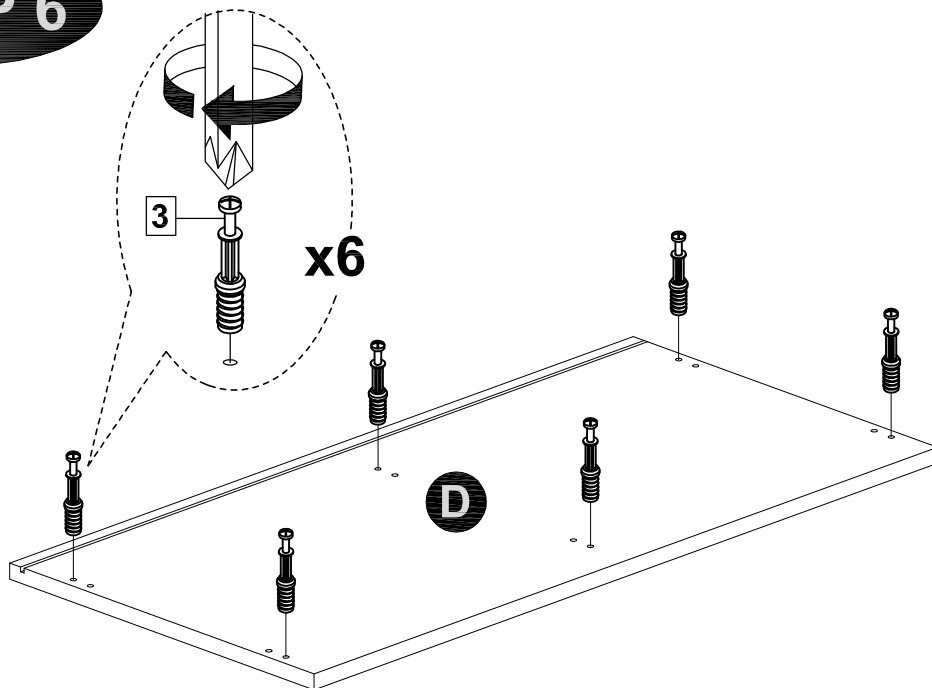
BC 1580-01

STEP 5



(x3)

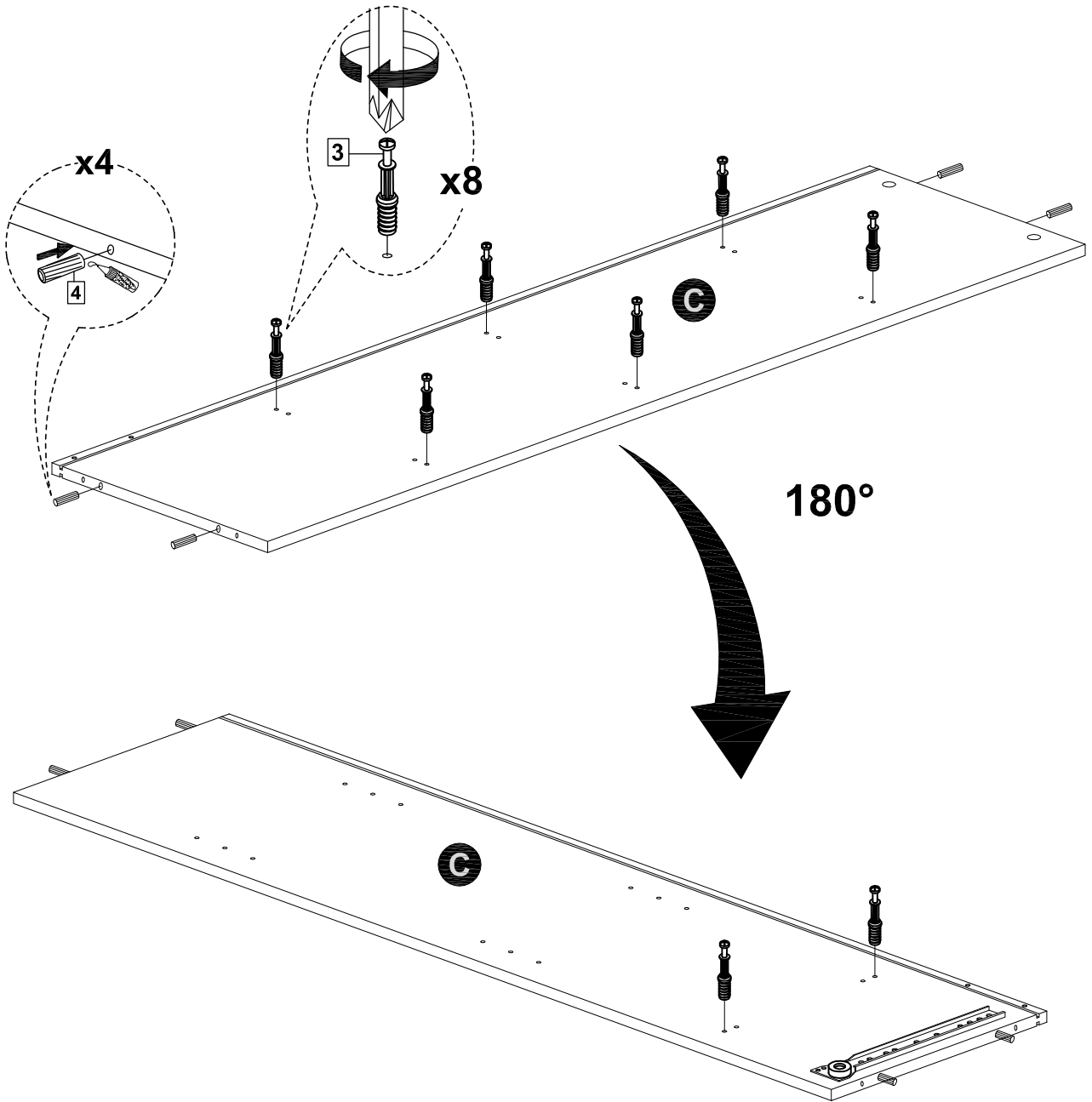
STEP 6



MODEL NAME:

BC 1580-01

STEP 7

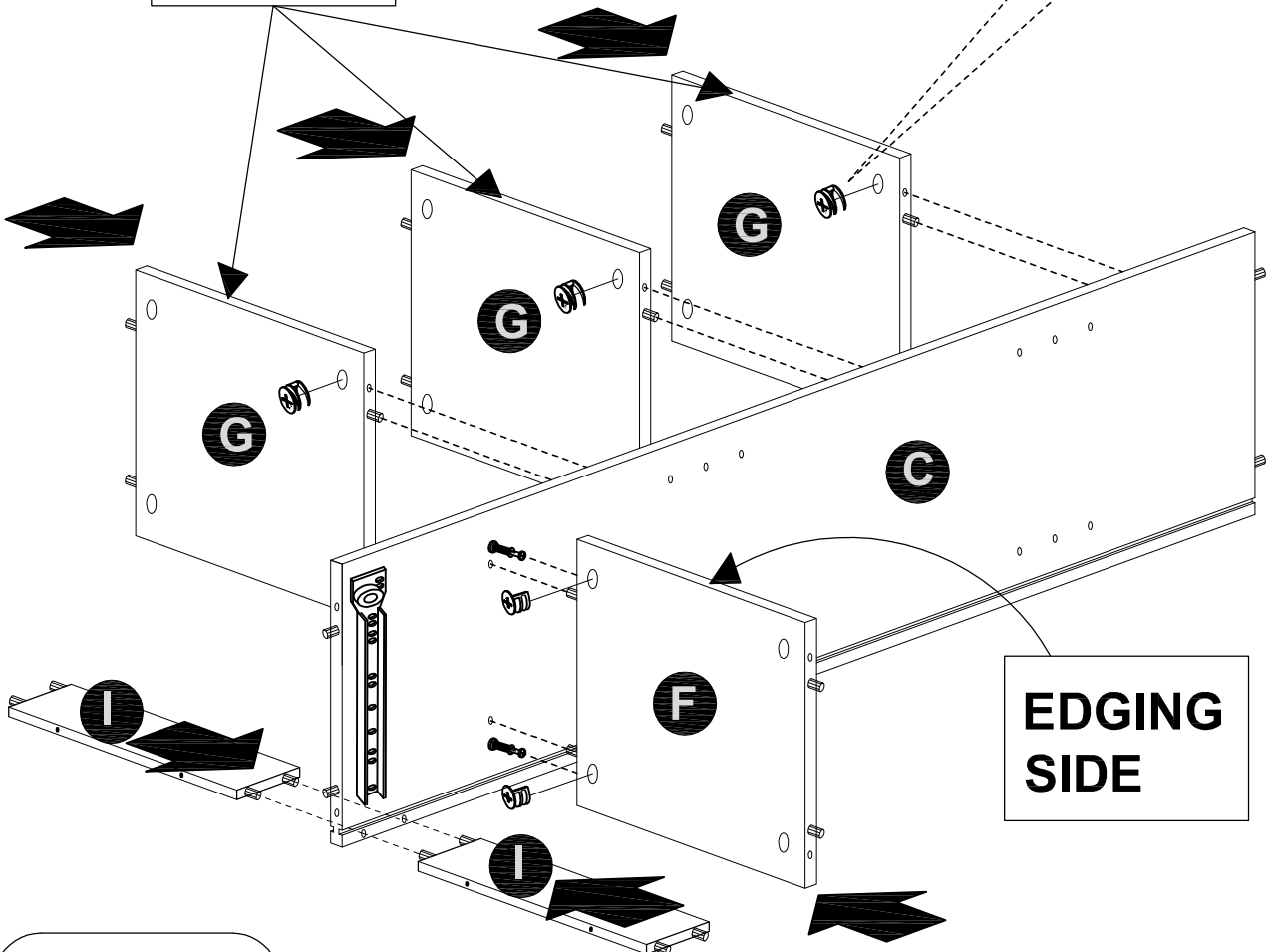
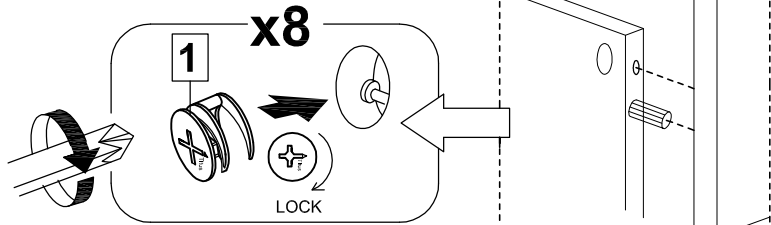


MODEL NAME:

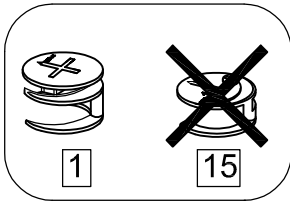
BC 1580-01

STEP 8

**EDGING
SIDE**



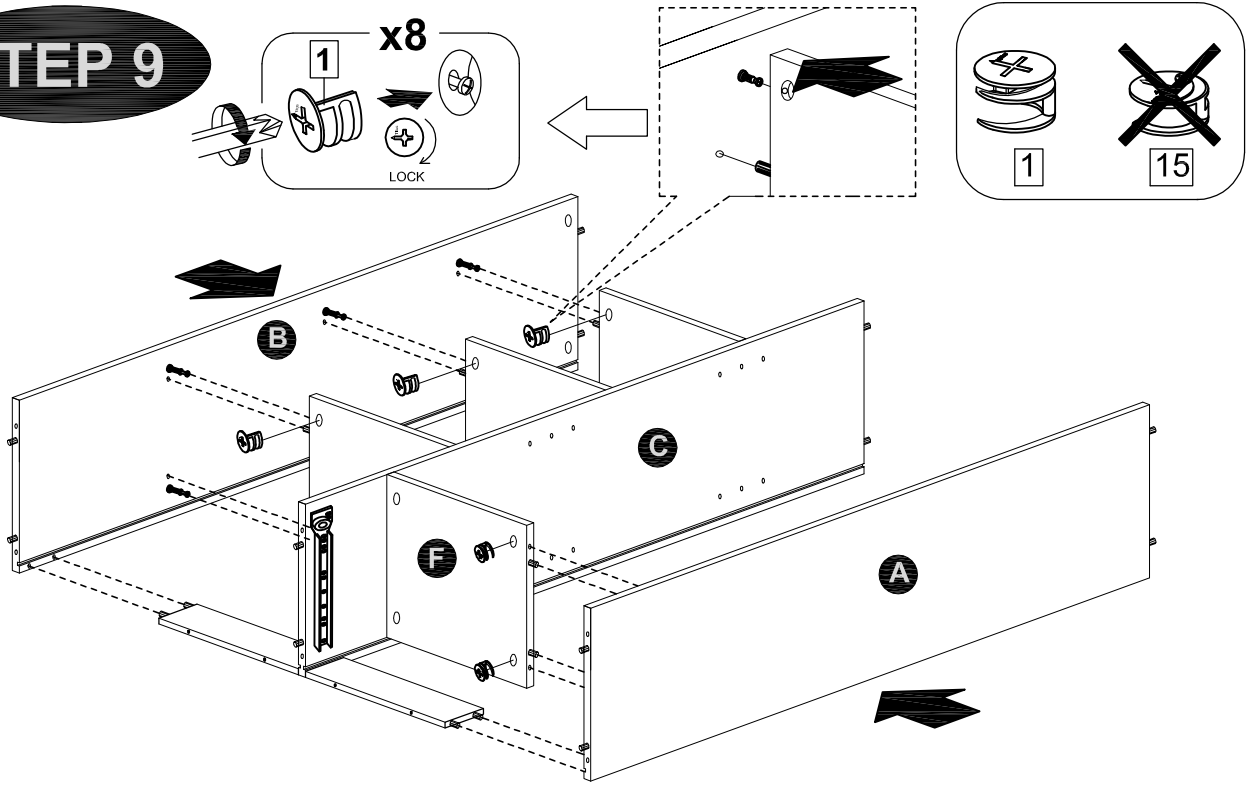
**EDGING
SIDE**



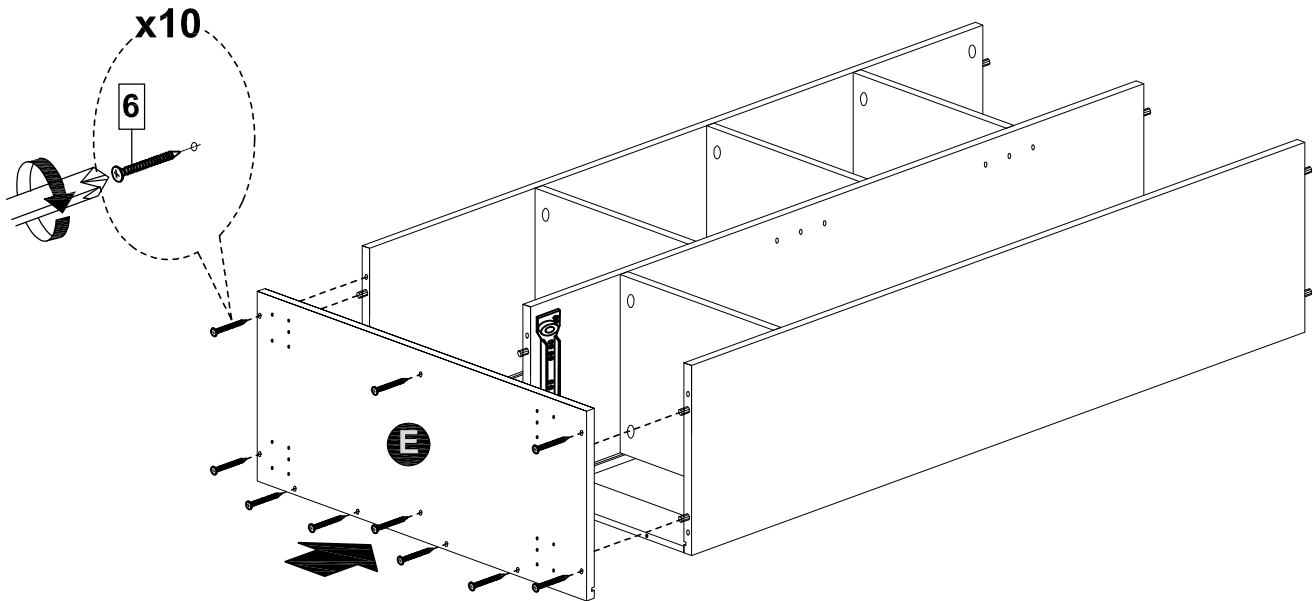
MODEL NAME:

BC 1580-01

STEP 9



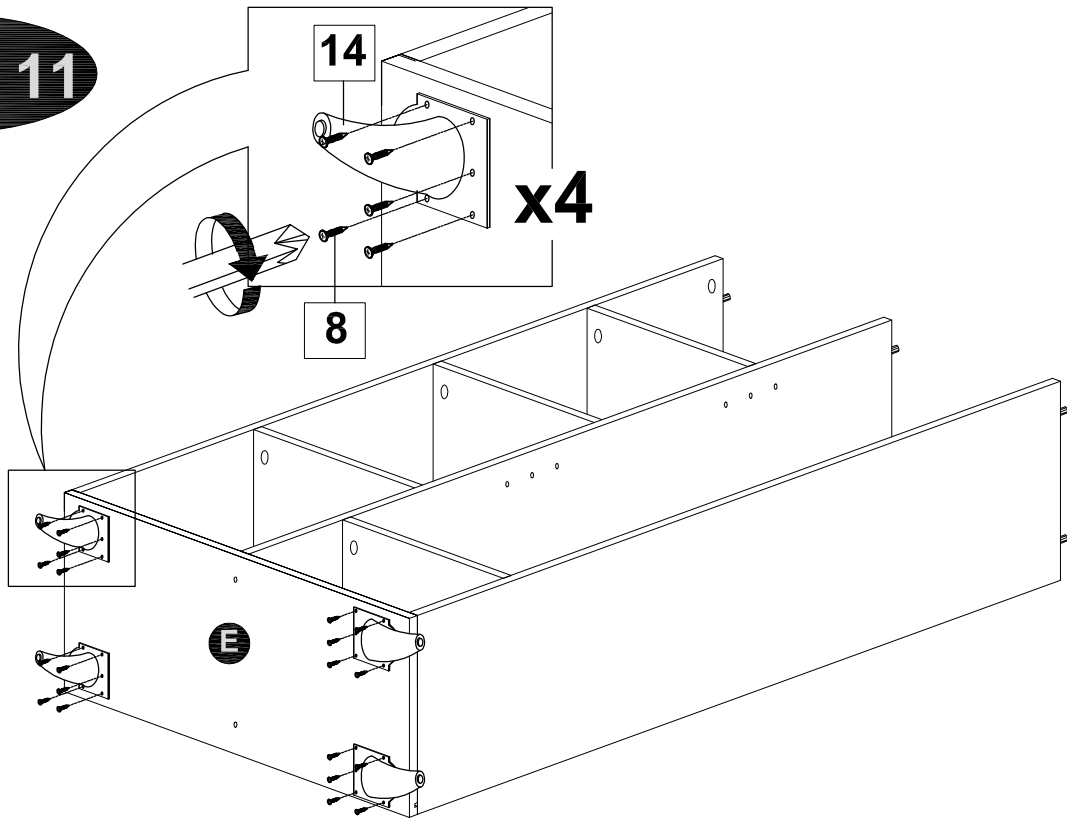
STEP 10



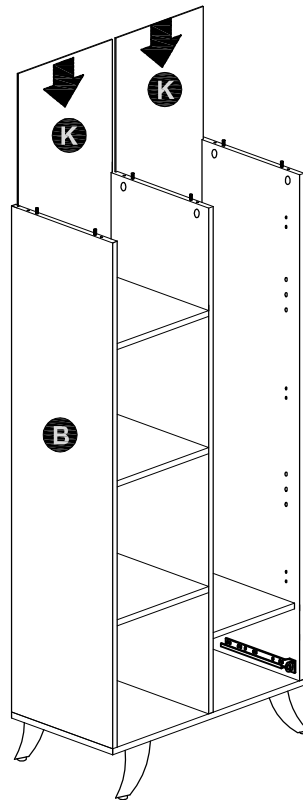
MODEL NAME:

BC 1580-01

STEP 11



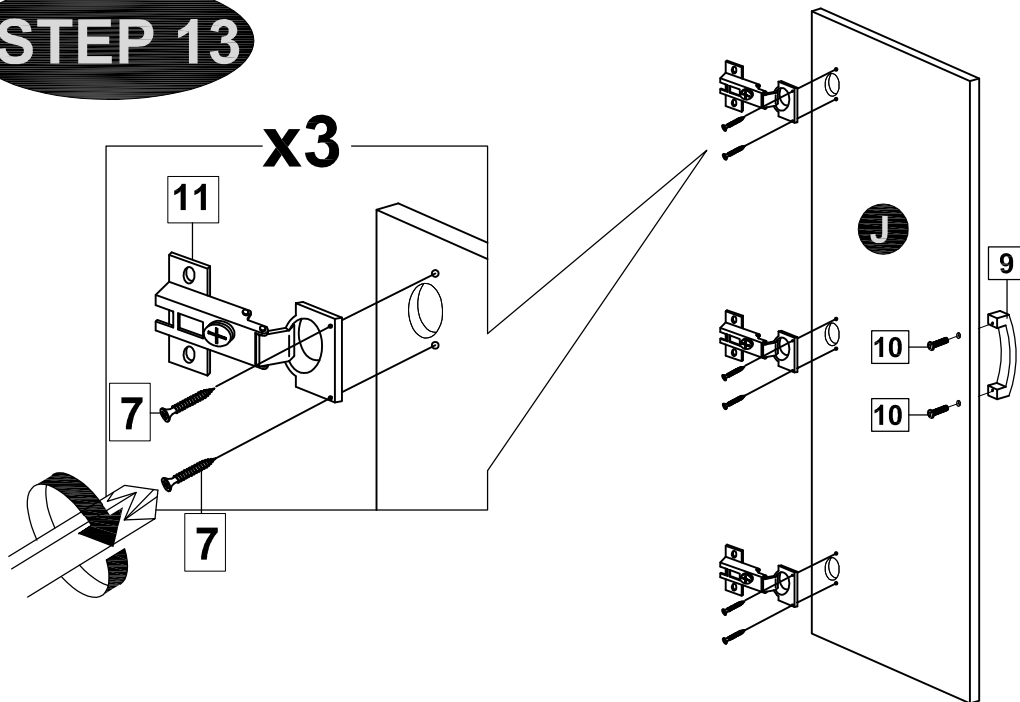
STEP 12



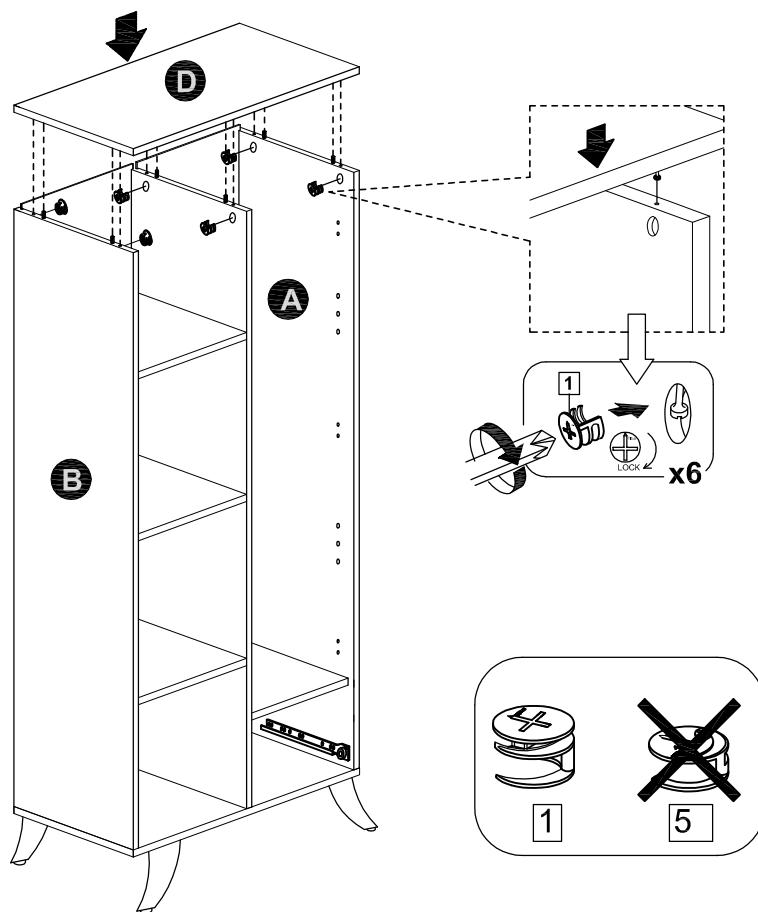
MODEL NAME:

BC 1580-01

STEP 13



STEP 14

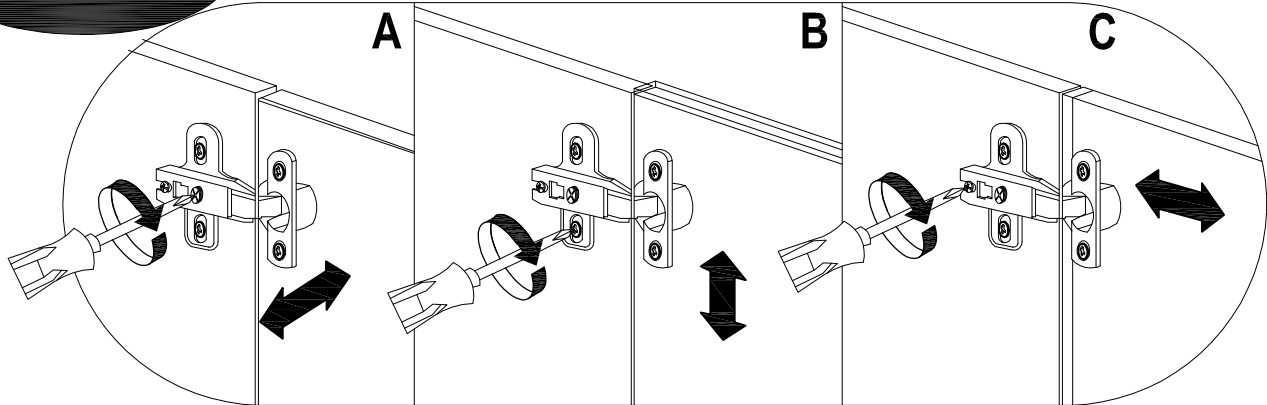


MODEL NAME:

BC 1580-01

STEP 15

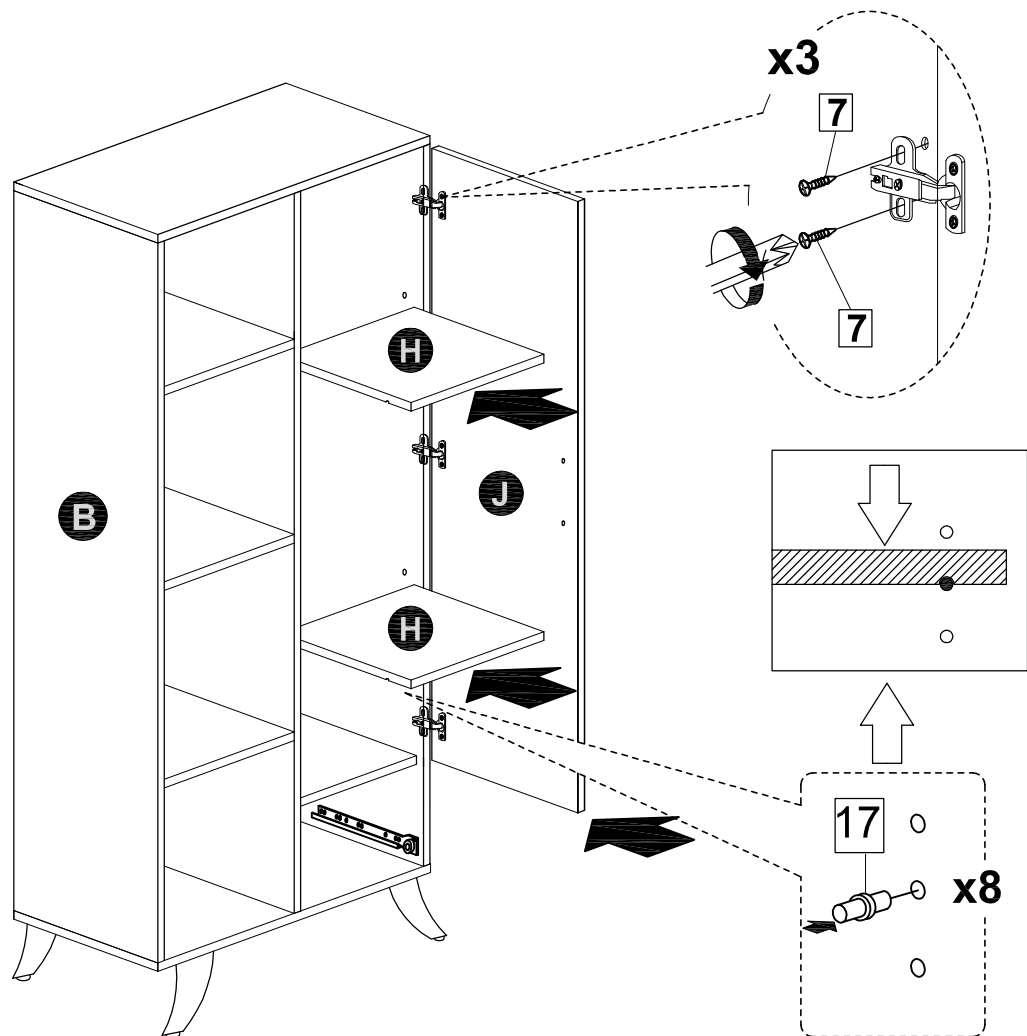
Hinges Adjustment Facilities



A. Lateral adjustment by screw adjusting

B. Vertical adjustment via slot in the mounting plate

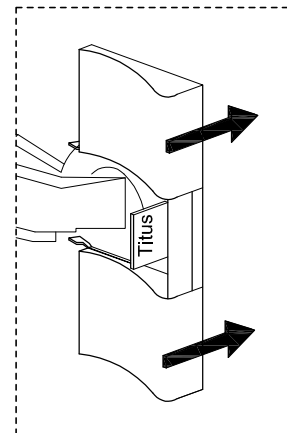
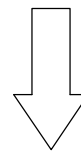
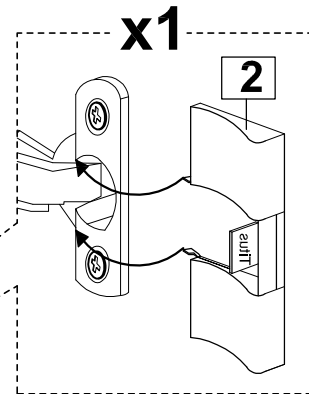
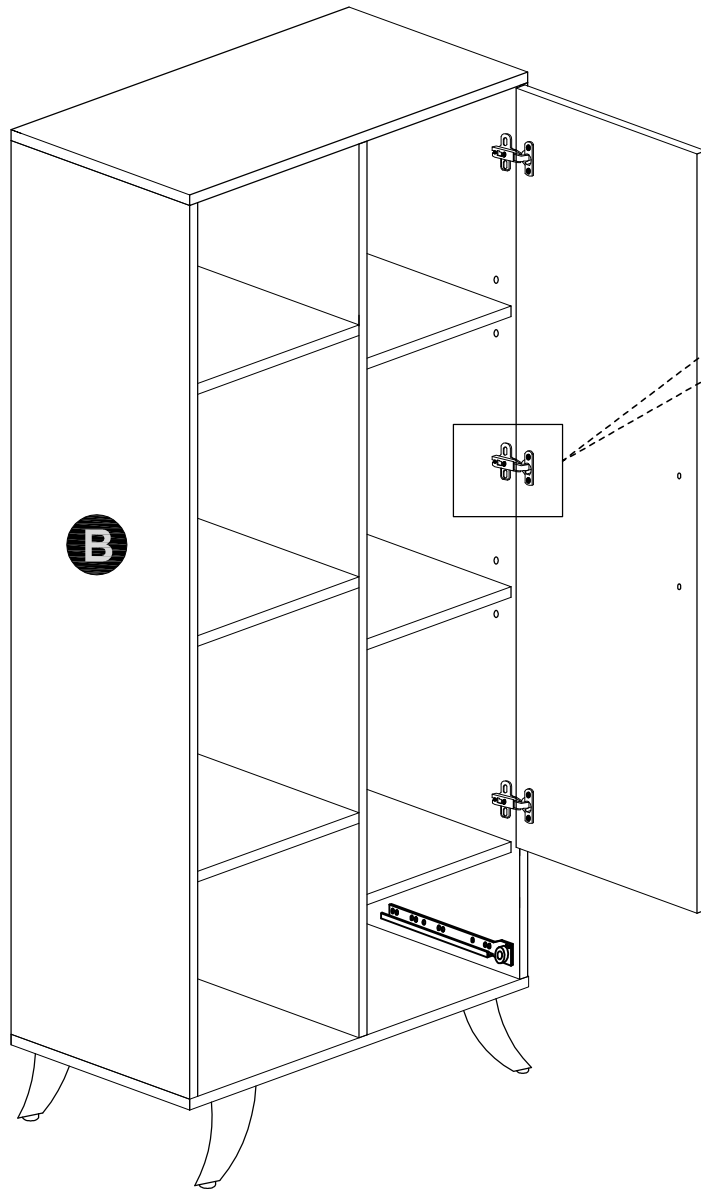
C. Front-to-Back by the slacking the hinge arm mounting screw



MODEL NAME:

BC 1580-01

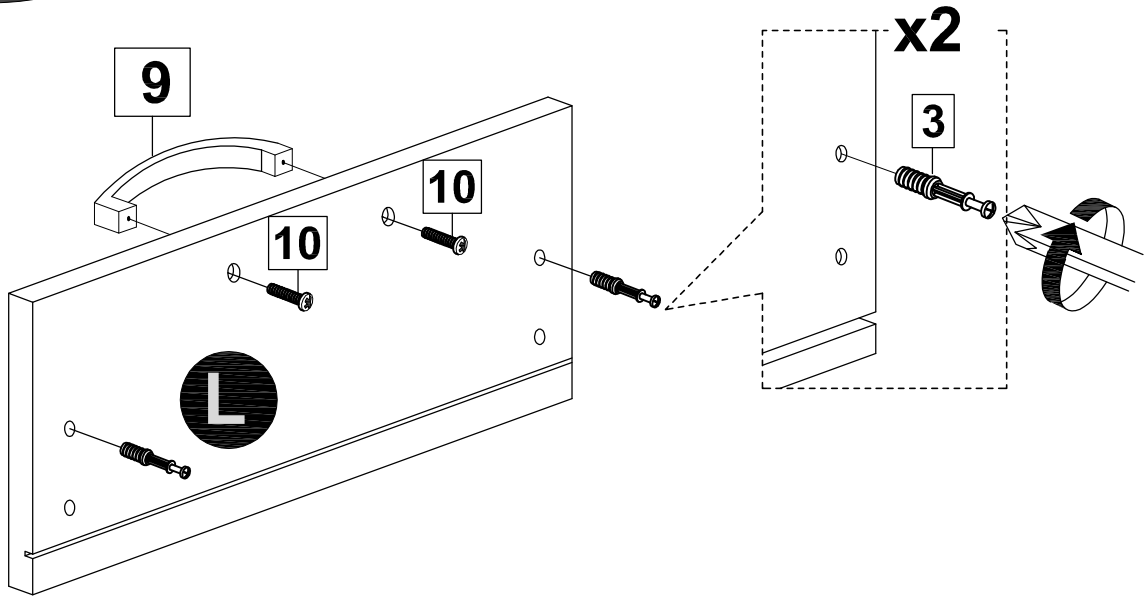
STEP 16



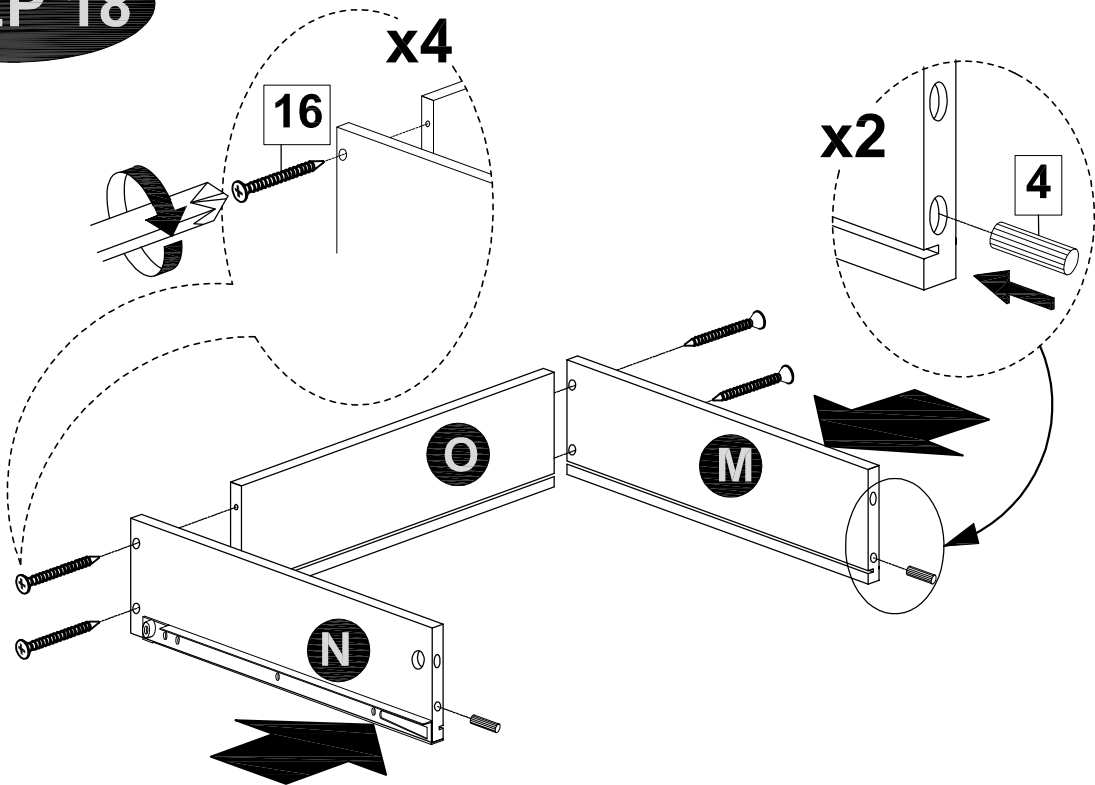
MODEL NAME:

BC 1580-01

STEP 17



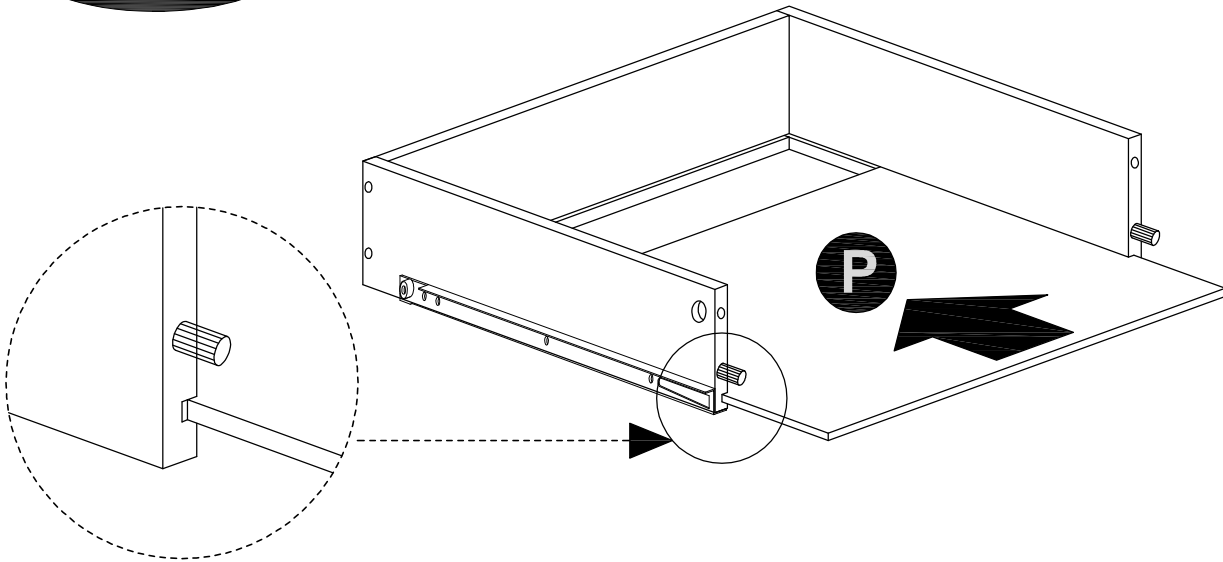
STEP 18



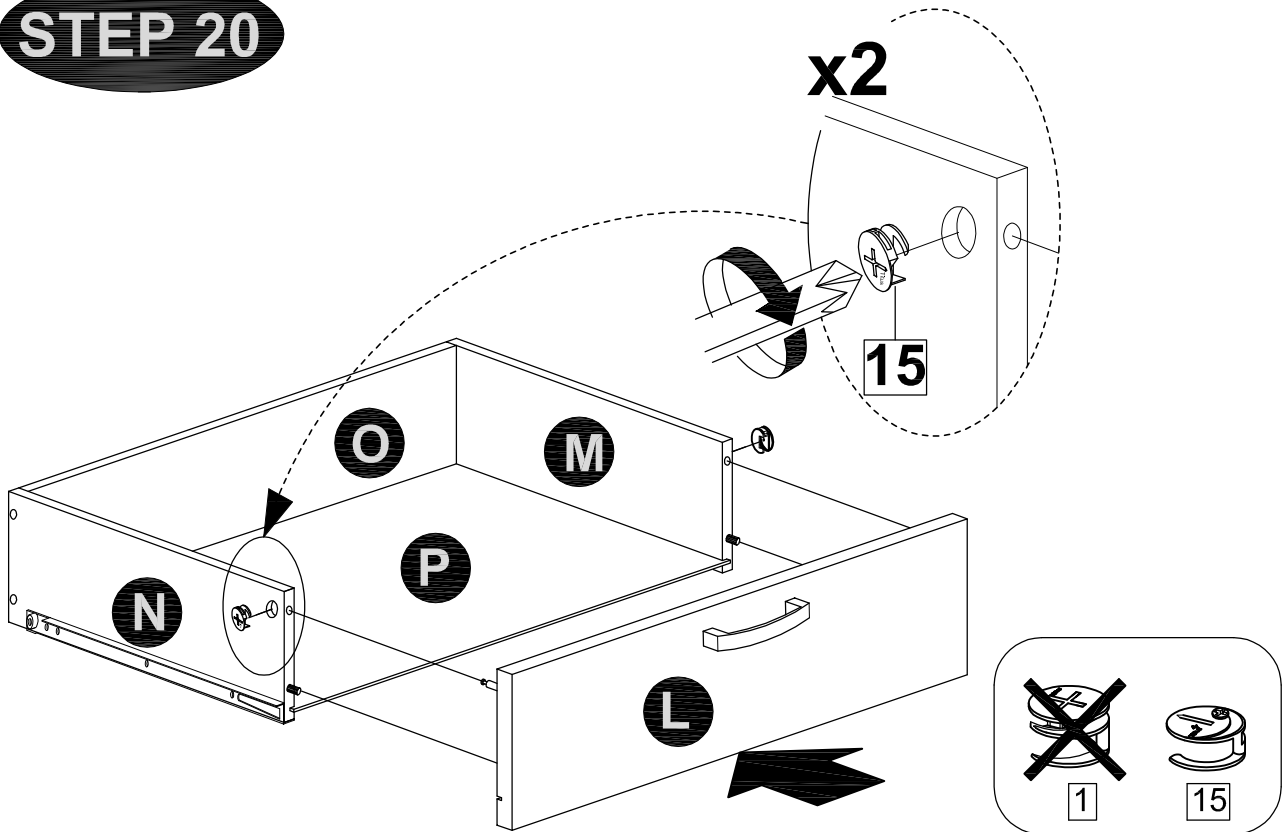
MODEL NAME:

BC 1580-01

STEP 19



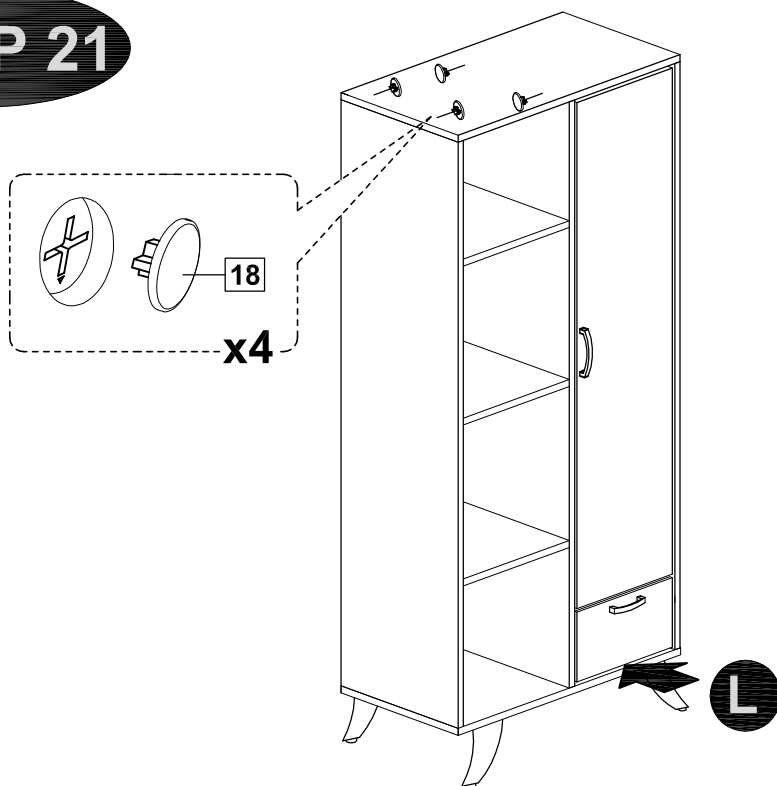
STEP 20



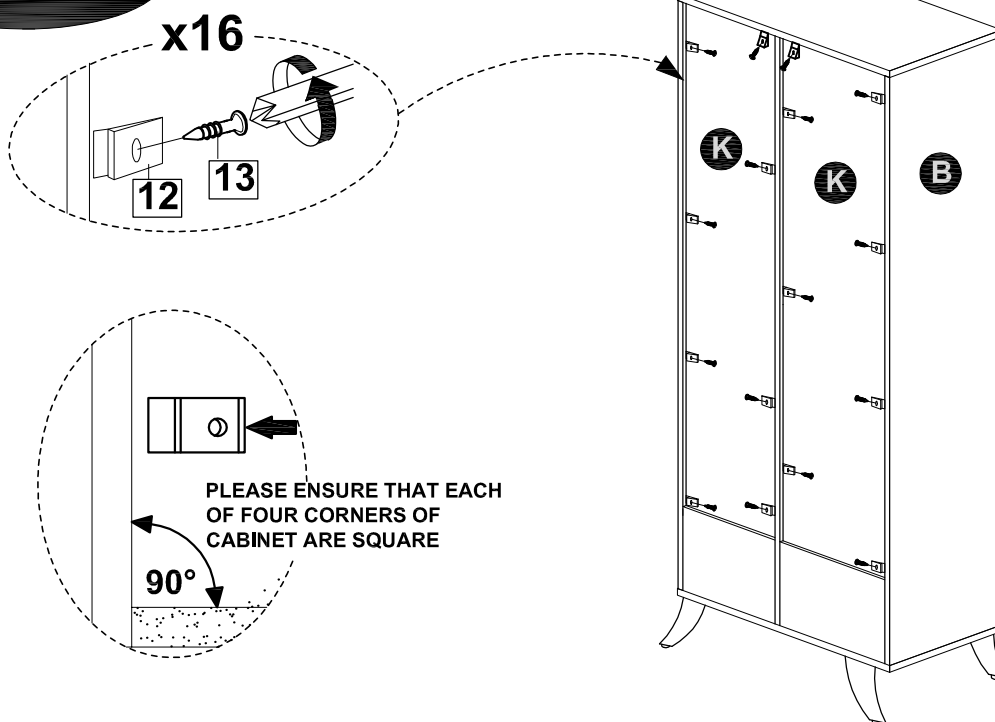
MODEL NAME:

BC 1580-01

STEP 21



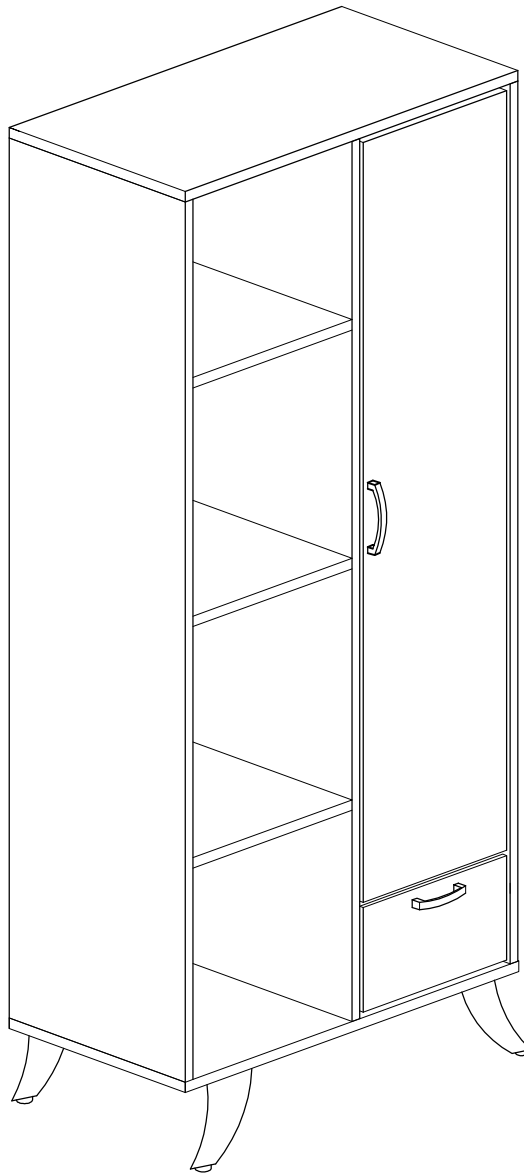
STEP 22



MODEL NAME:

BC 1580-01

STEP 23



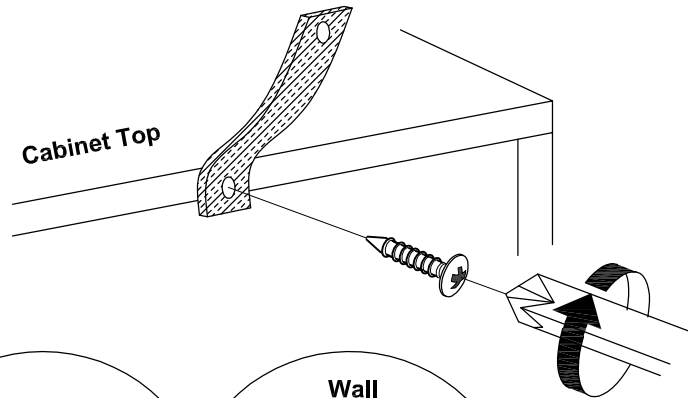
SAFETY WARNING :

It is recommended that you fit the anti-tip bracket to this item to avoid tipping and causing injury.

FITTING OF ANTI-TIP BRACKET

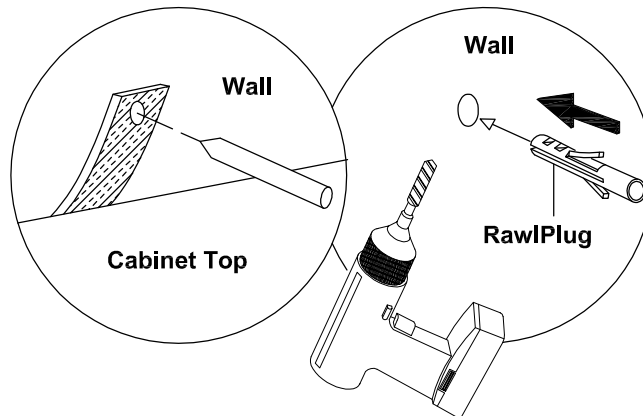
STEP 1 :

Insert screws through bracket into pre-drilled holes in cabinet.



STEP 2 :

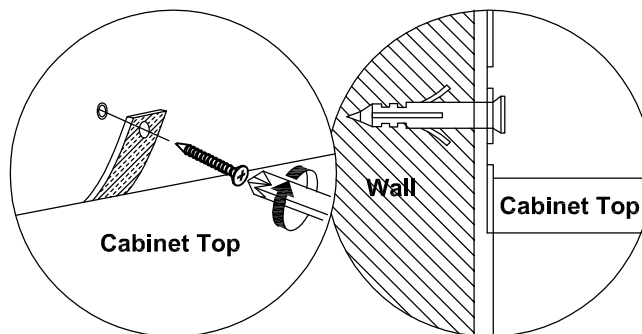
Make a mark on the wall through the bracket.



Drill a hole in the wall and insert the rawlplug.

STEP 3 :

Insert screw through bracket into hole in wall



NOTE : Wall fixings are not supplied with this product as different wall materials require different types of fixing devices (such as Rawl plugs on brick work). You must use fixing devices suitable for the type of wall you intend to mount this product to. Please ensure that the head of any screw used has a diameter greater than the diameter of the mounting hole on the bracket and that the fixing is safe and secure before use.

The screw supplied is to fix the anti-tip strap to the cabinet.

HARDWARE LIST



Anti-Tip Strap - 2pcs



M4 x 16MM - 2pcs