

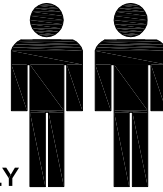
MODEL NAME:

BC 1260-05

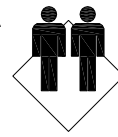
1.5hr

APPROXIMATE ASSEMBLY TIME

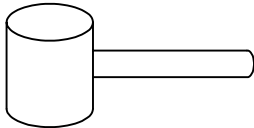
2 PEOPLE FOR ASSEMBLY



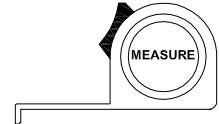
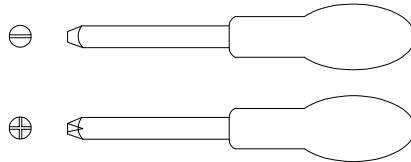
**FLOOR AREA
2.0M X 2.0M**



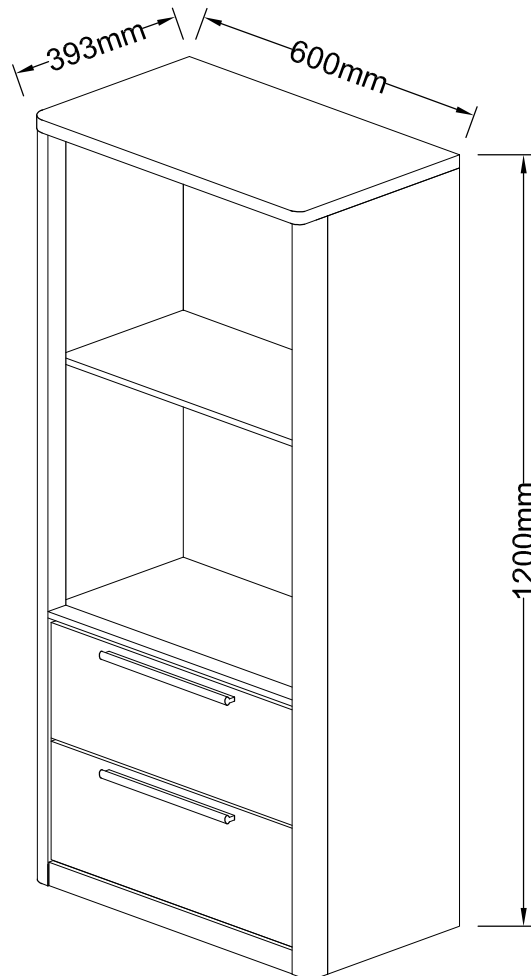
REQUIRED ASSEMBLY SPACE



REQUIRED ASSEMBLY TOOLS



ASSEMBLED DIMENSIONS



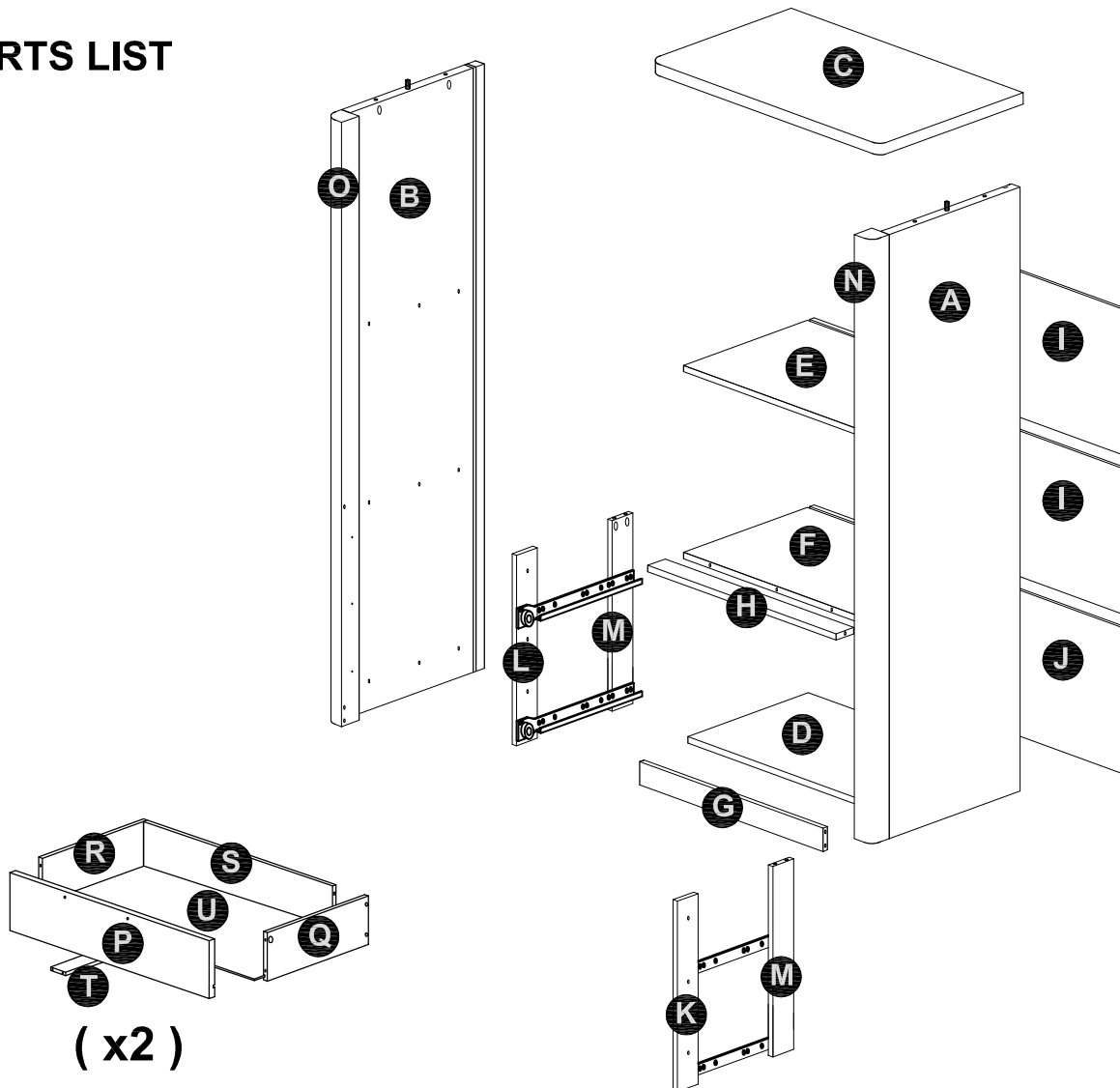
NOTE : THE MAXIMUM WEIGHT THIS PRODUCT CAN HOLD UP TO IS 25 KGS.

MODEL NAME:

BC 1260-05

NO.	PART LIST	QTY	NO.	PART LIST	QTY
(A)	RIGHT SIDE PANEL	1	(K)	FRONT DRAWER SUPPORT -RIGHT	1
(B)	LEFT SIDE PANEL	1	(L)	FRONT DRAWER SUPPORT -LEFT	1
(C)	TOP PANEL	1	(M)	BACK DRAWER SUPPORT	2
(D)	BOTTOM PANEL	1	(N)	PROFILE LEG (RIGHT)	1
(E)	FIXED PANEL-A	1	(O)	PROFILE LEG (LEFT)	1
(F)	FIXED PANEL-B	1	(P)	DRAWER FRONT	2
(G)	CROSSBAR	1	(Q)	DRAWER SIDE (RIGHT)	2
(H)	SUPPORT PANEL	1	(R)	DRAWER SIDE (LEFT)	2
(I)	BACK PANEL -A	2	(S)	DRAWER BACK PANEL	2
(J)	BACK PANEL -B	1	(T)	DRAWER BASE SUPPORT	2
			(U)	DRAWER BASE	2

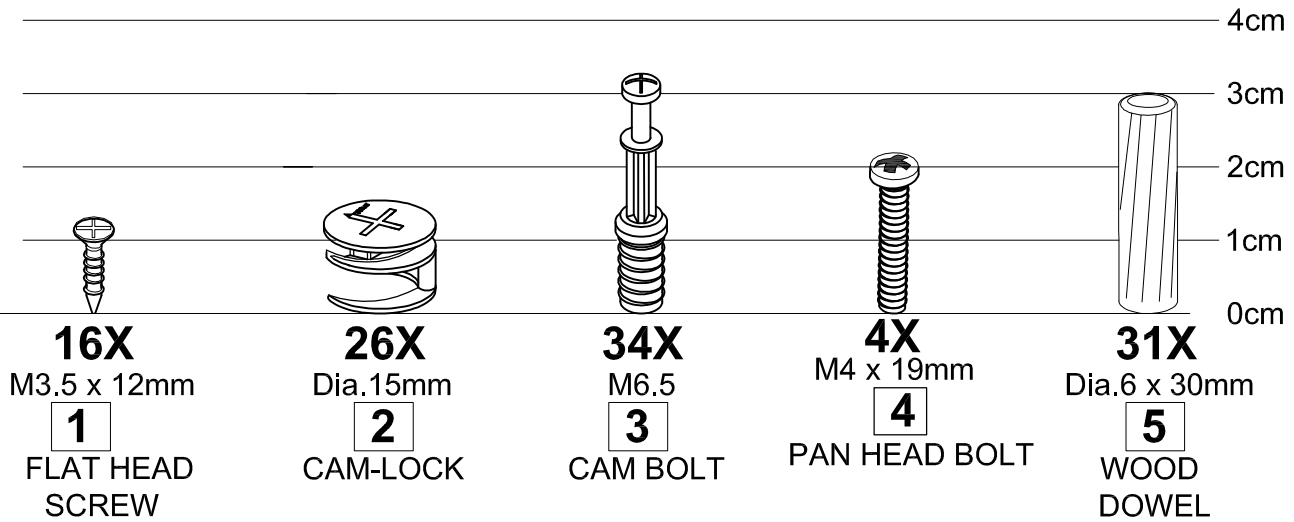
PARTS LIST



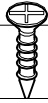


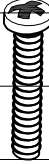
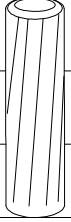
MODEL NAME:

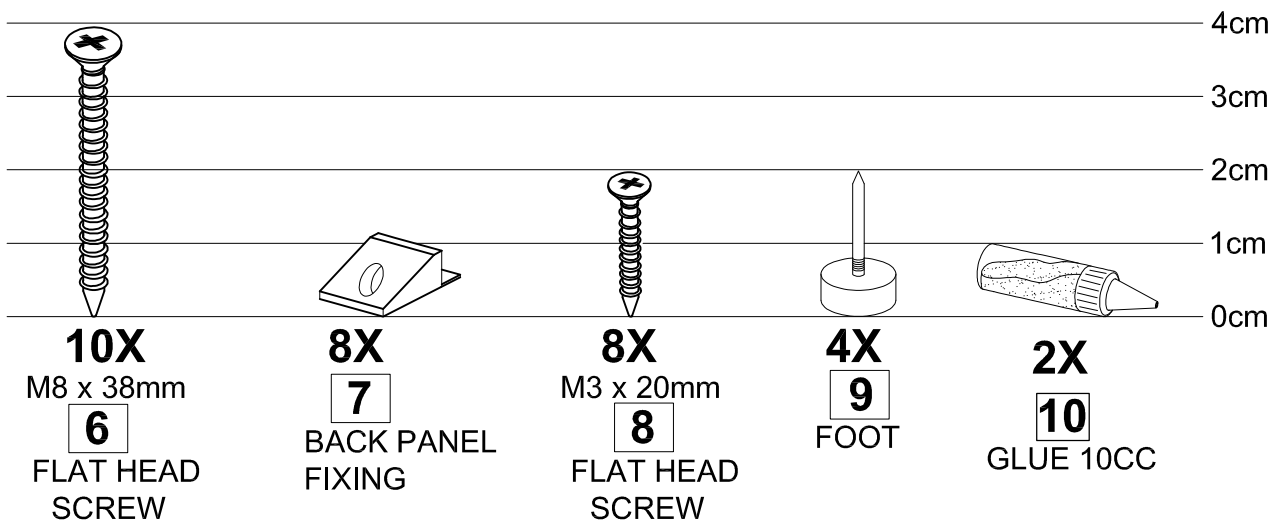
BC 1260-05

HARDWARE LIST

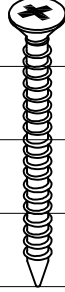
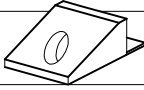
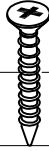
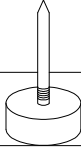
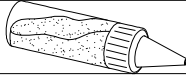


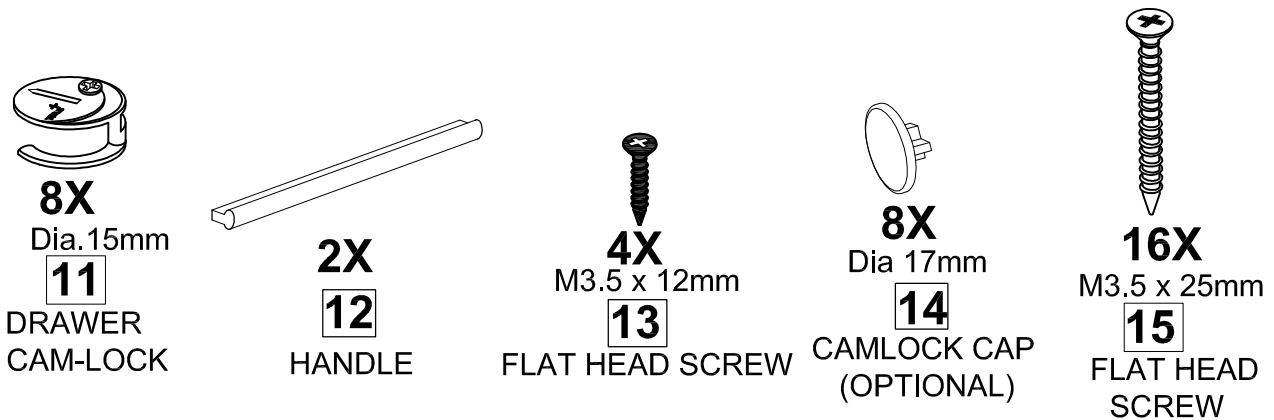
4cm
3cm
2cm
1cm
0cm

				
16X M3.5 x 12mm	26X Dia.15mm	34X M6.5	4X M4 x 19mm	31X Dia.6 x 30mm
1	2	3	4	5
FLAT HEAD SCREW	CAM-LOCK	CAM BOLT	PAN HEAD BOLT	WOOD DOWEL


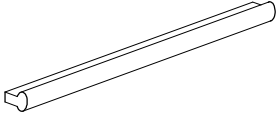

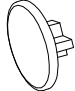



4cm
3cm
2cm
1cm
0cm

				
10X M8 x 38mm	8X	8X M3 x 20mm	4X	2X
6	7	8	9	10
FLAT HEAD SCREW	BACK PANEL FIXING	FLAT HEAD SCREW	FOOT	GLUE 10CC



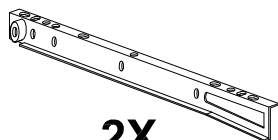
4cm
3cm
2cm
1cm
0cm

				
8X Dia. 15mm	2X	4X M3.5 x 12mm	8X Dia 17mm	16X M3.5 x 25mm
11	12	13	14	15
DRAWER CAM-LOCK	HANDLE	FLAT HEAD SCREW	CAMLOCK CAP (OPTIONAL)	FLAT HEAD SCREW

MODEL NAME:

BC 1260-05

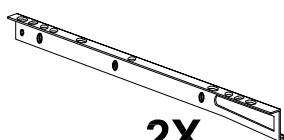
HARDWARE LIST



2X

16

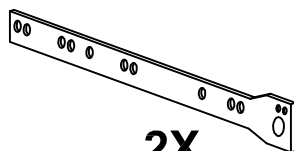
**DRAWER RUNNER
(RIGHT)**



2X

17

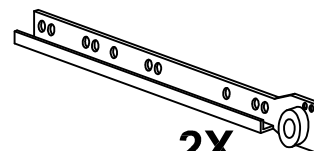
**DRAWER RUNNER
(LEFT)**



2X

18

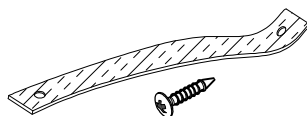
**DRAWER RUNNER
(LEFT)**



2X

19

**DRAWER RUNNER
(RIGHT)**



1X

20

**ANTI TIP
STRAP**

MODEL NAME:

BC 1260-05

Top Tips before you start!

1. Please check that all parts are present before you start the assembly of your furniture.
2. For ease and speed of assembly, we recommend that before you commence each step of the assembly, that you identify all the parts required for that step.
3. For larger items, please ensure that you have sufficient space and people (as indicated on page 1) to assemble your product safely
4. We recommend that, where possible, all items are assembled near to the area in which they will be placed in use, to avoid moving the product unnecessarily once assembled.
5. For the protection of your furniture, particularly items of high gloss finish, we recommend that the product is placed on a protected surface during assembly to prevent any damage.
6. Caution - Electric / Battery operated screw driver NOT RECOMMENDED.
7. During assembly please take care not to over-tighten any fittings, as this may damage the product.
8. Always place the product on a flat, steady and stable surface.
9. Do not sit or stand on the product.
Do not use the product as a stepladder.
10. This product is intended for indoor, household use only as it is non industrial product.
11. This product is constructed from re-inforced hollow board. Excessive pressure cause irreparable damage. Please do not kneel on any part of this product during assembly.

Care and Maintenance of your Furniture

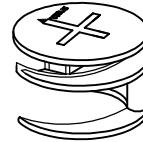
- Please periodically check all fittings and re-tighten as necessary.
- To clean your item, please use a damp cloth and wipe clean.
- Never allow any kind of liquid to remain on your furniture.
- Please do not place hot items (e.g. hot drinks) directly on to the wood surface.
- Please do not drag and pull your furniture.

MODEL NAME:

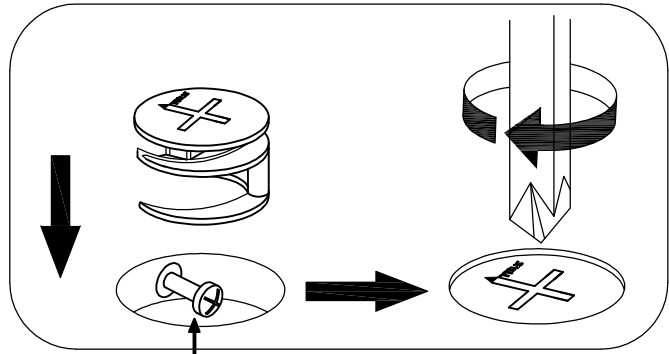
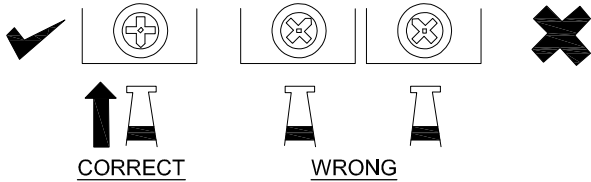
BC 1260-05

SPECIAL TIPS FOR FITTING CAM-LOCKS AND CAM BOLT

CAM-LOCK

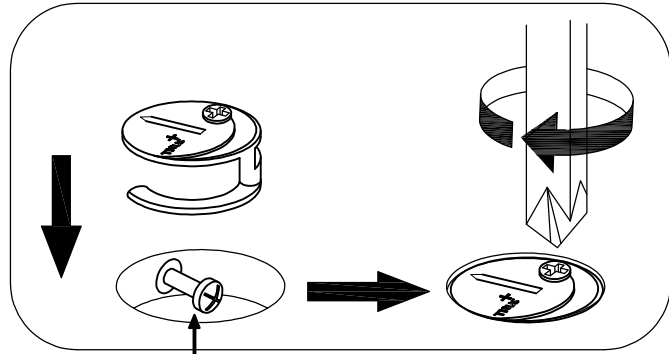


WHEN FITTING CAM-LOCK
ENSURE STARTING POSITION IS CORRECT
BEFORE YOU INSERT CONNECTING CAM BOLT
TURN CLOCKWISE UNTIL SECURE



Cam bolt head needs to be in centre

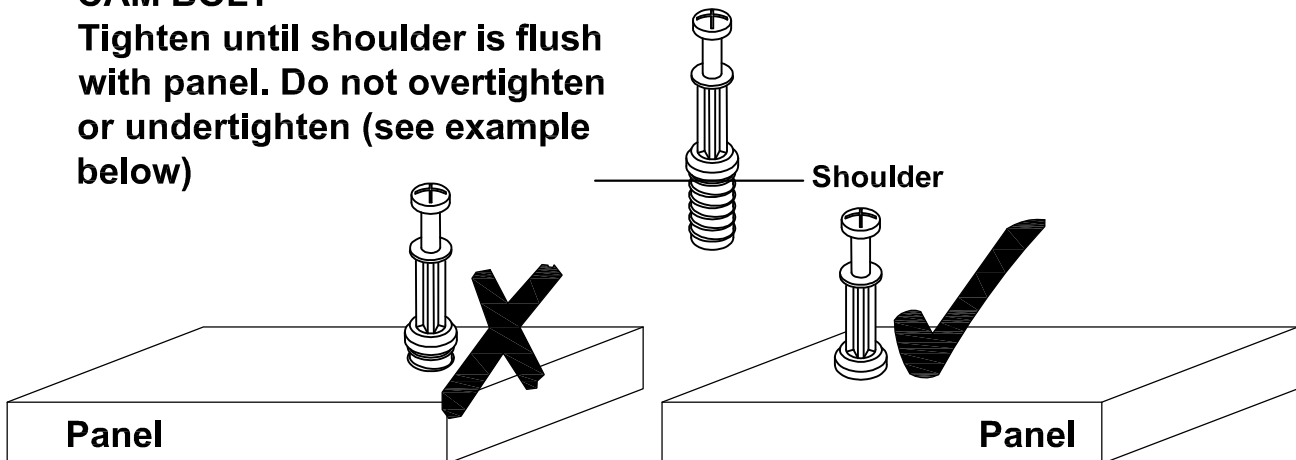
DRAWER
CAM-LOCK



Quickfit head needs to be in centre

CAM BOLT

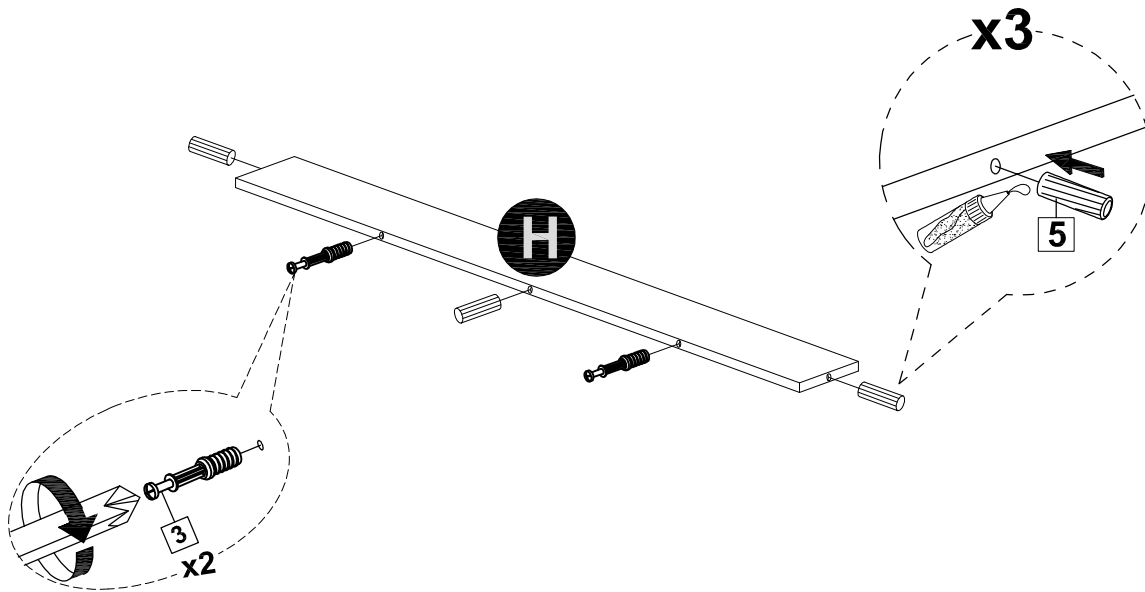
Tighten until shoulder is flush with panel. Do not overtighten or undertighten (see example below)



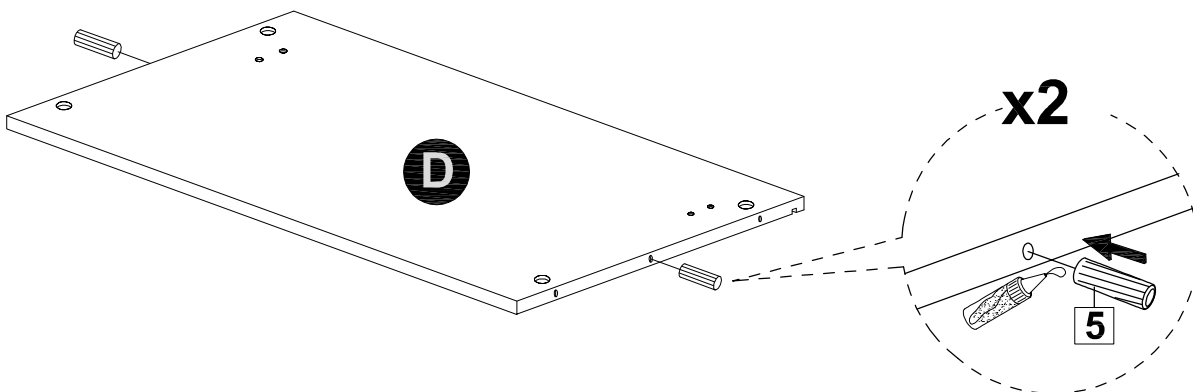
MODEL NAME:

BC 1260-05

STEP 1



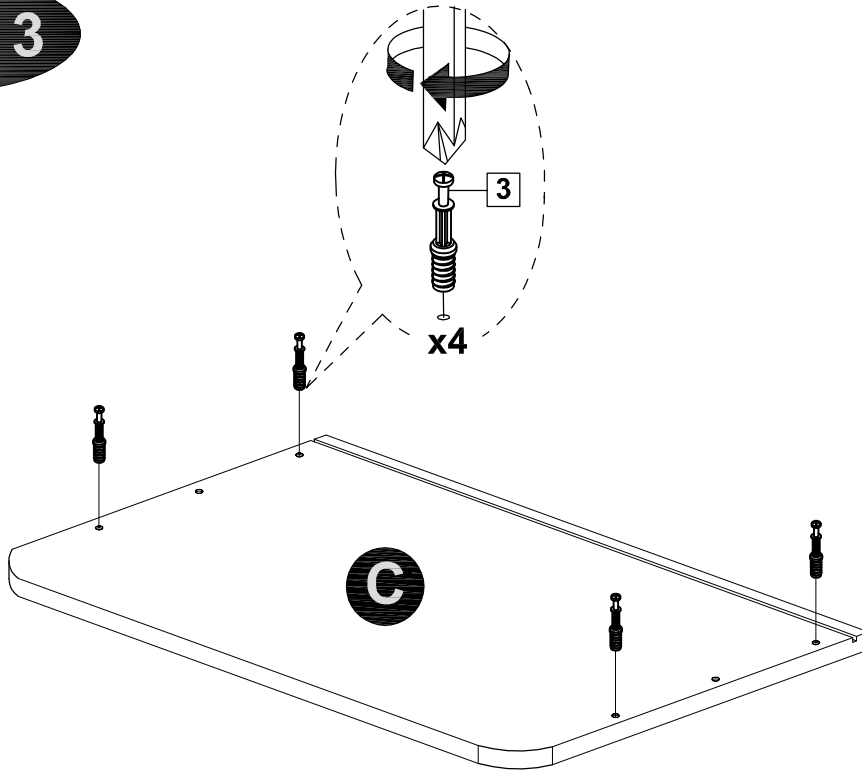
STEP 2



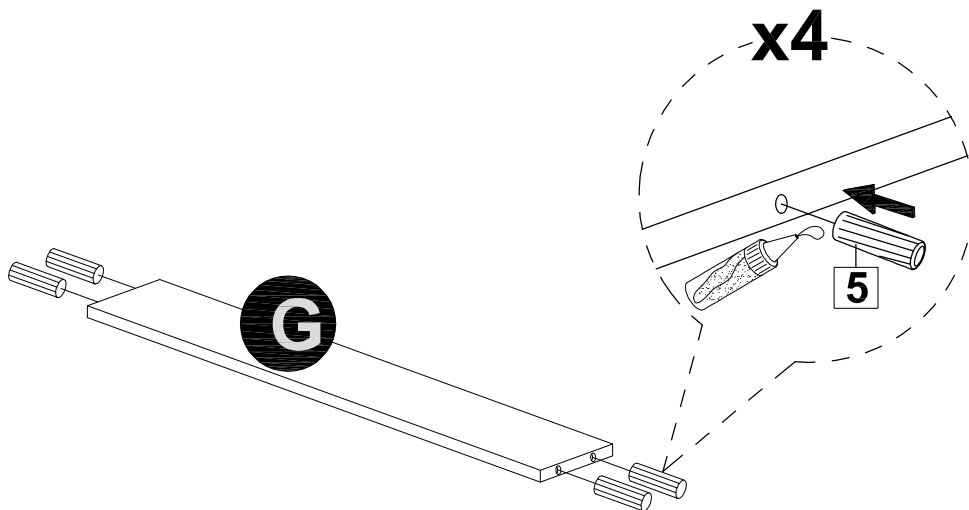
MODEL NAME:

BC 1260-05

STEP 3



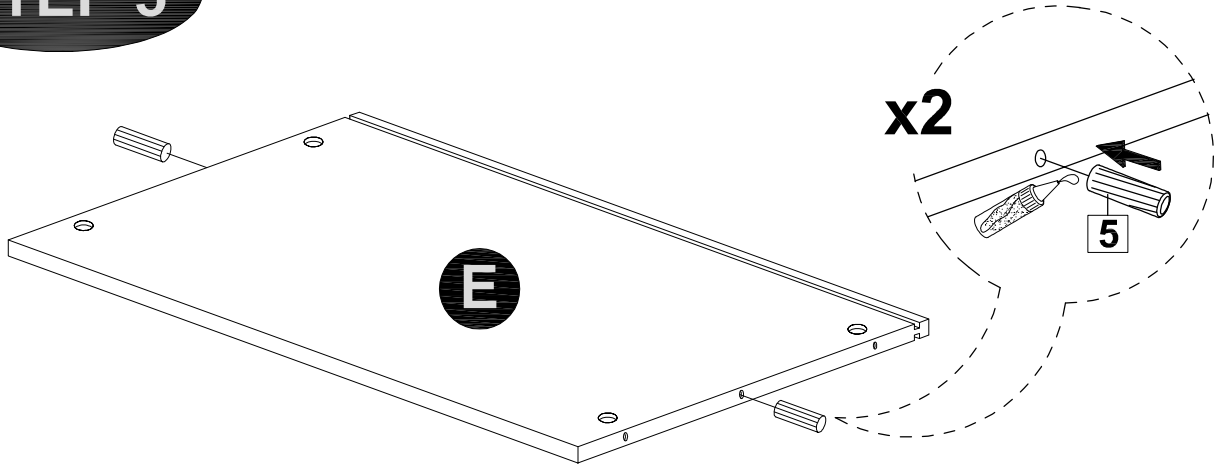
STEP 4



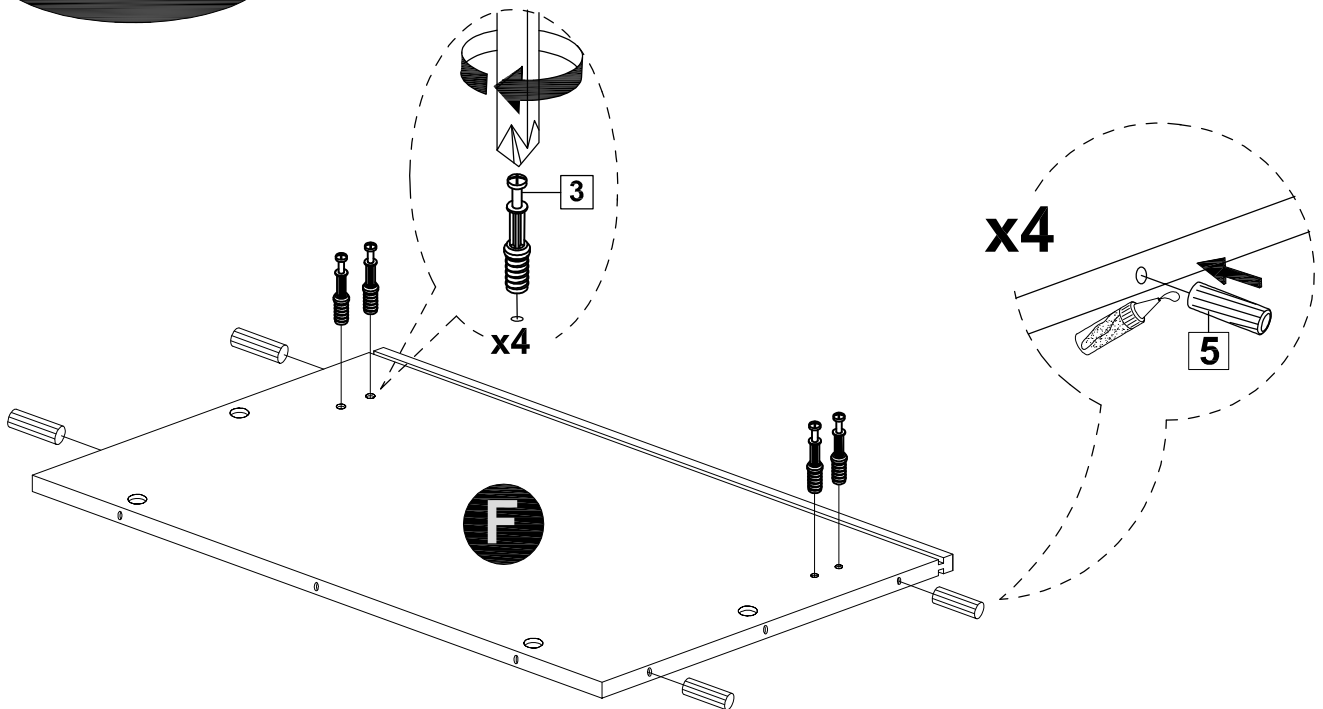
MODEL NAME:

BC 1260-05

STEP 5



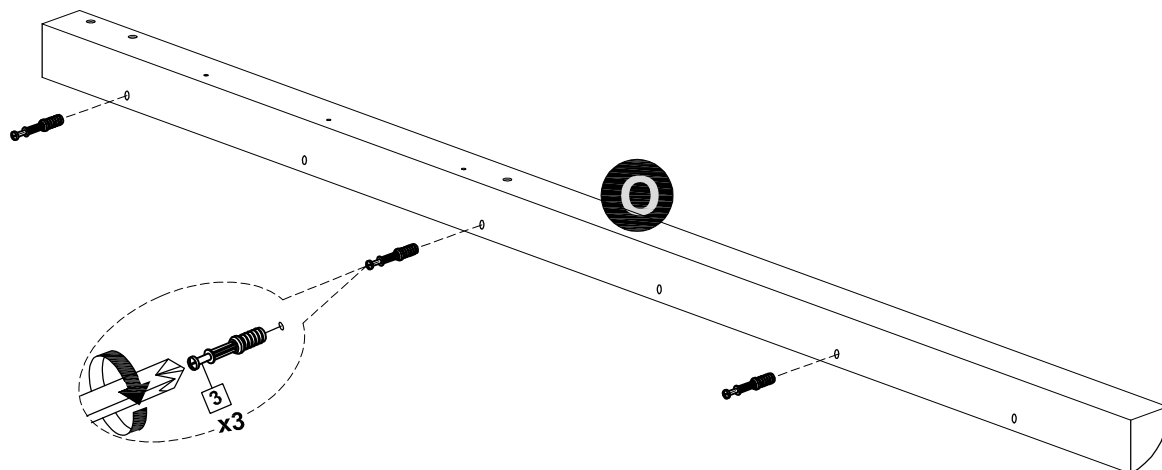
STEP 6



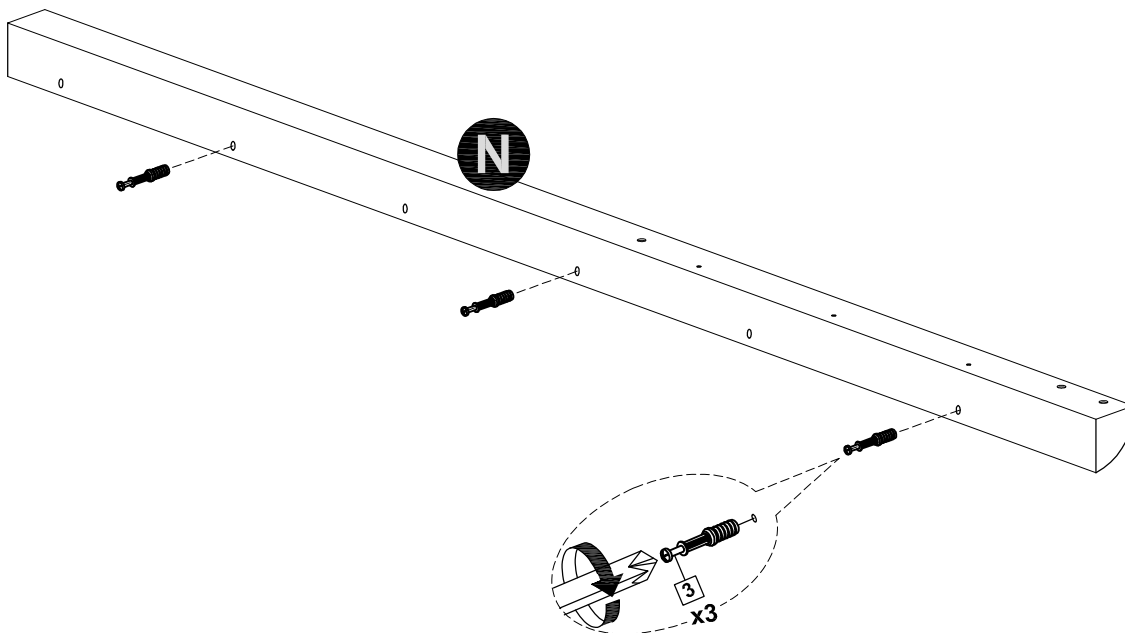
MODEL NAME:

BC 1260-05

STEP 7



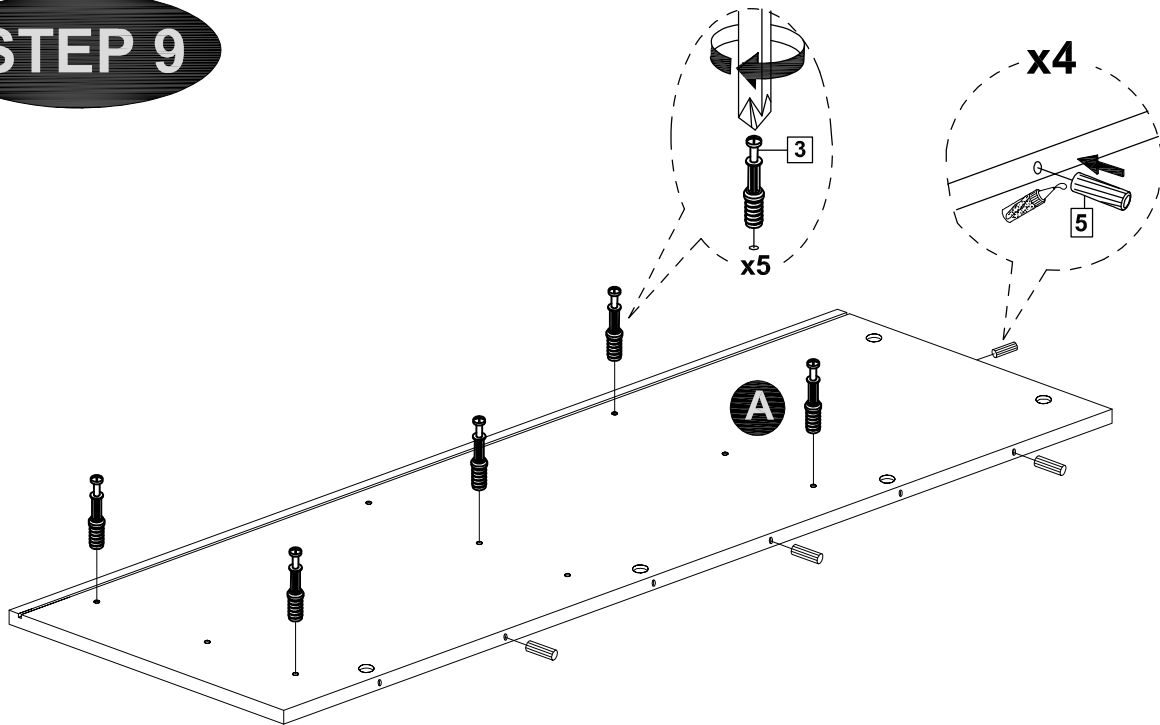
STEP 8



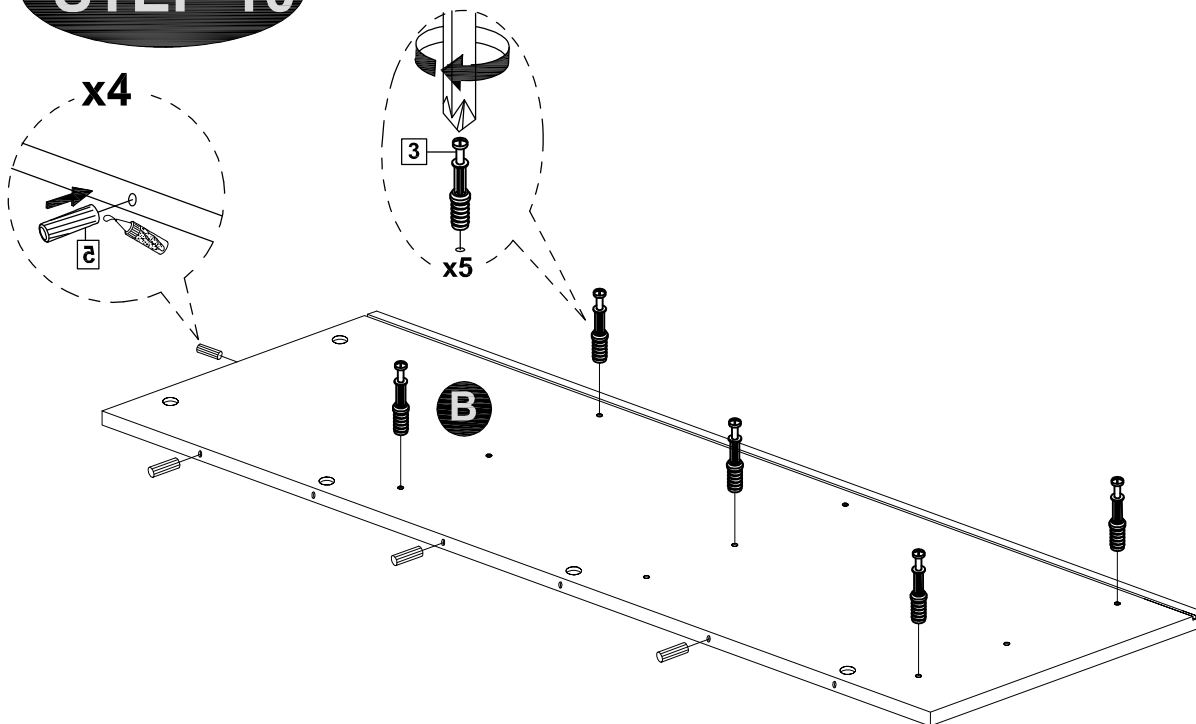
MODEL NAME:

BC 1260-05

STEP 9



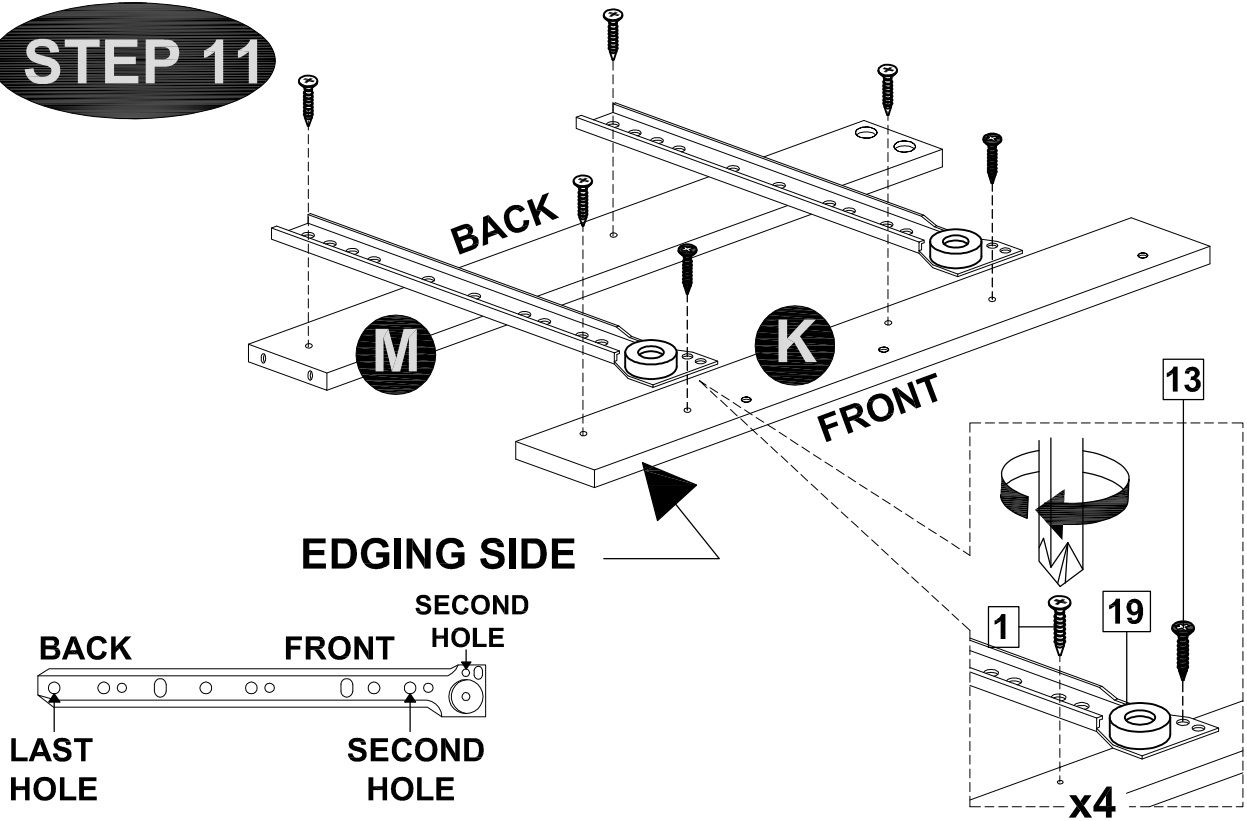
STEP 10



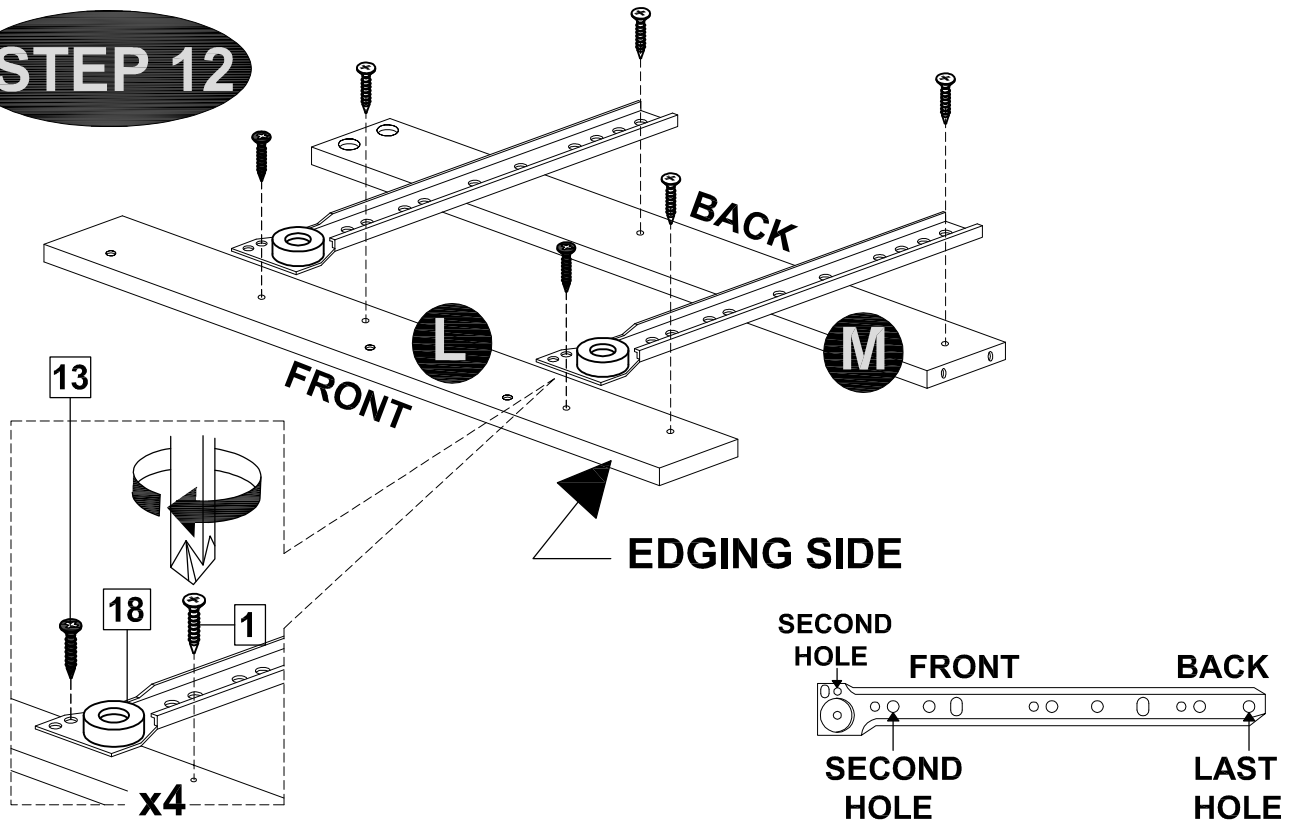
MODEL NAME:

BC 1260-05

STEP 11



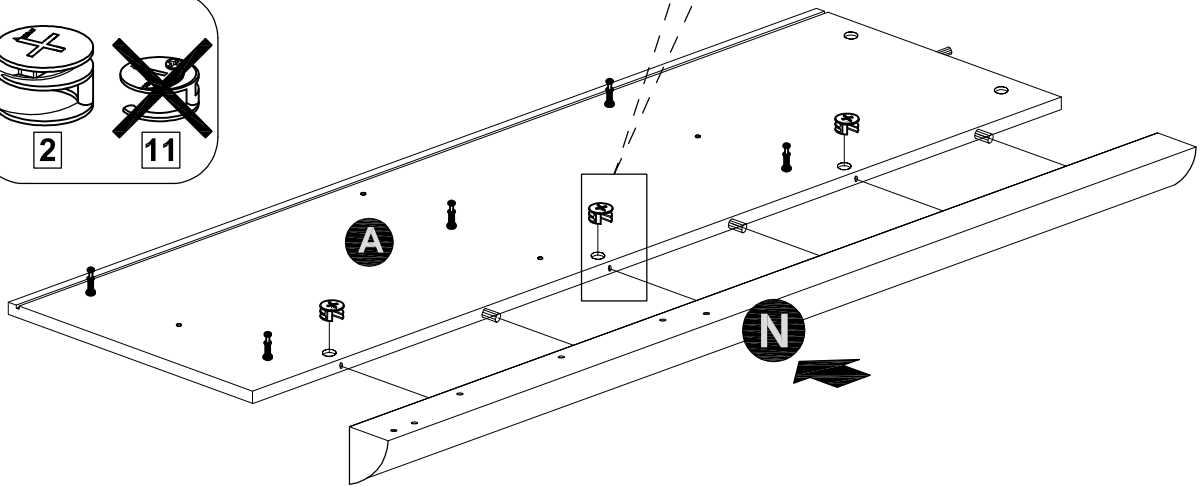
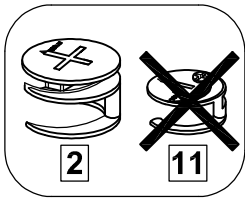
STEP 12



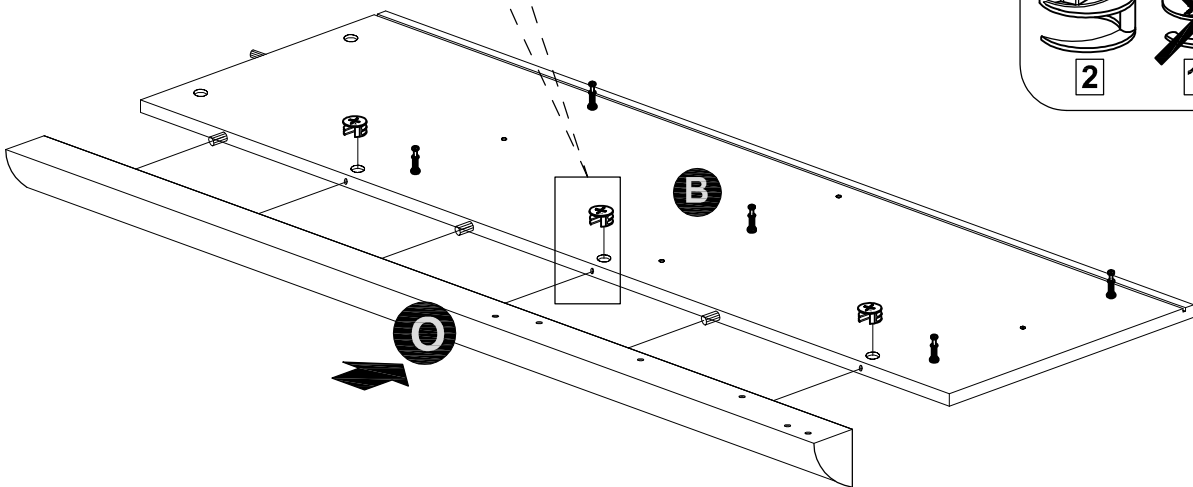
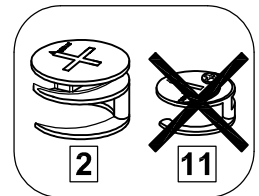
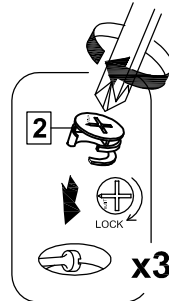
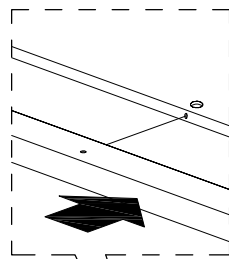
MODEL NAME:

BC 1260-05

STEP 13



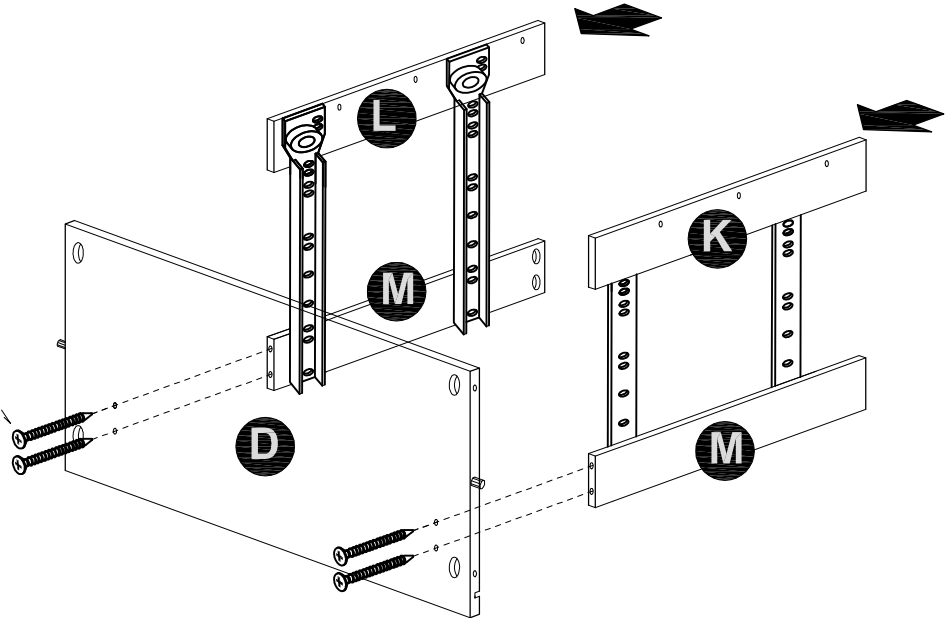
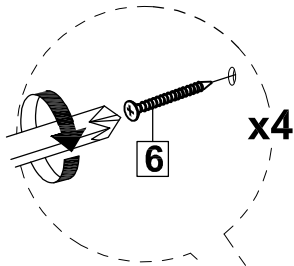
STEP 14



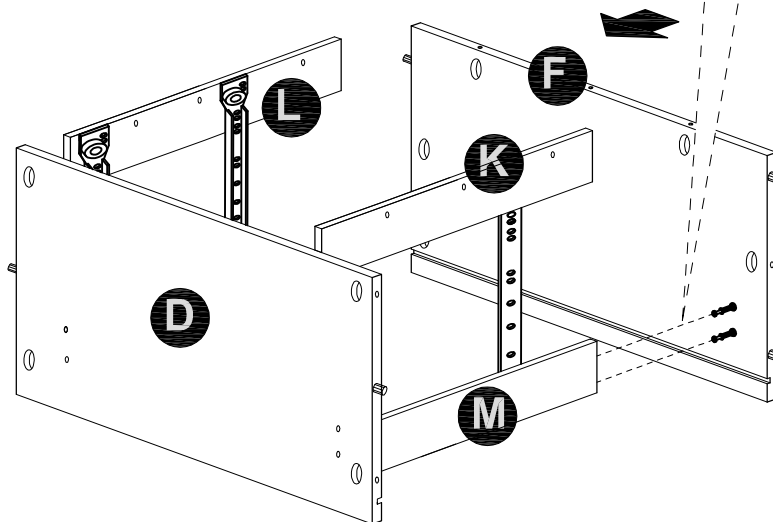
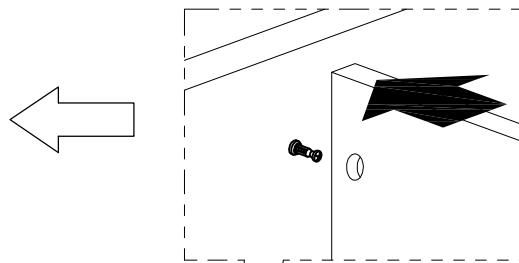
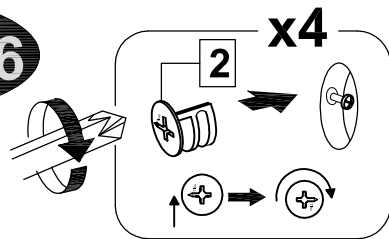
MODEL NAME:

BC 1260-05

STEP 15



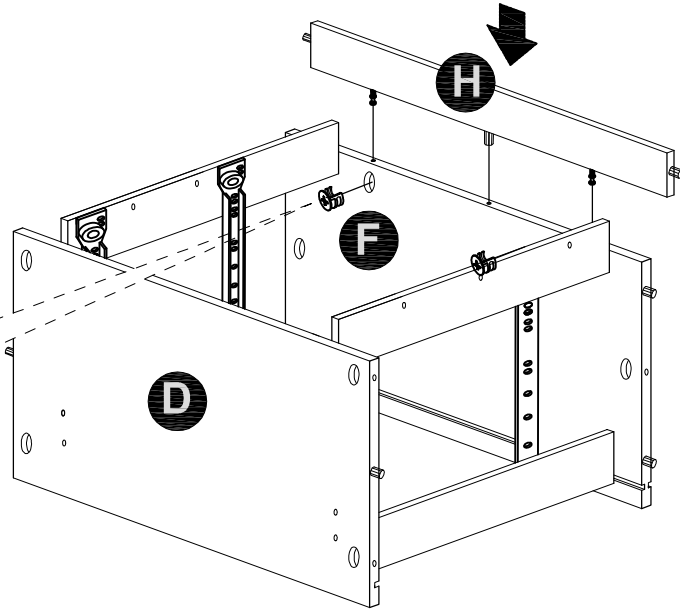
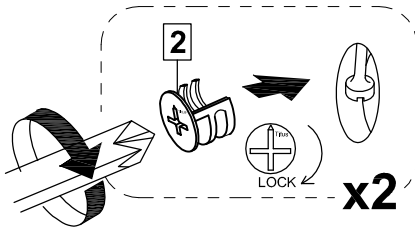
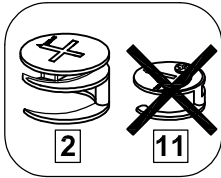
STEP 16



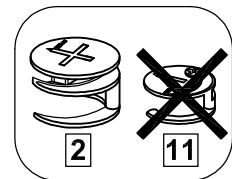
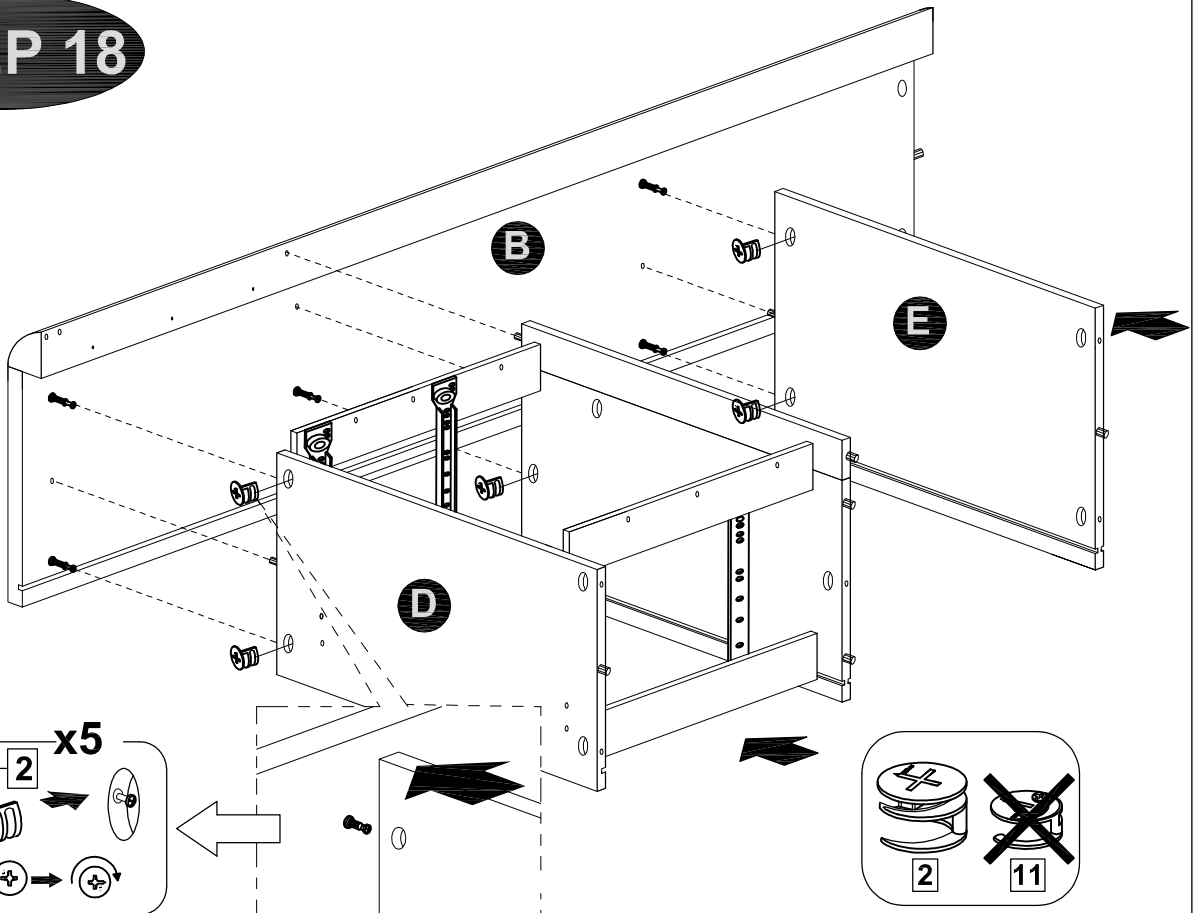
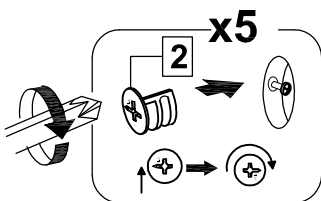
MODEL NAME:

BC 1260-05

STEP 17



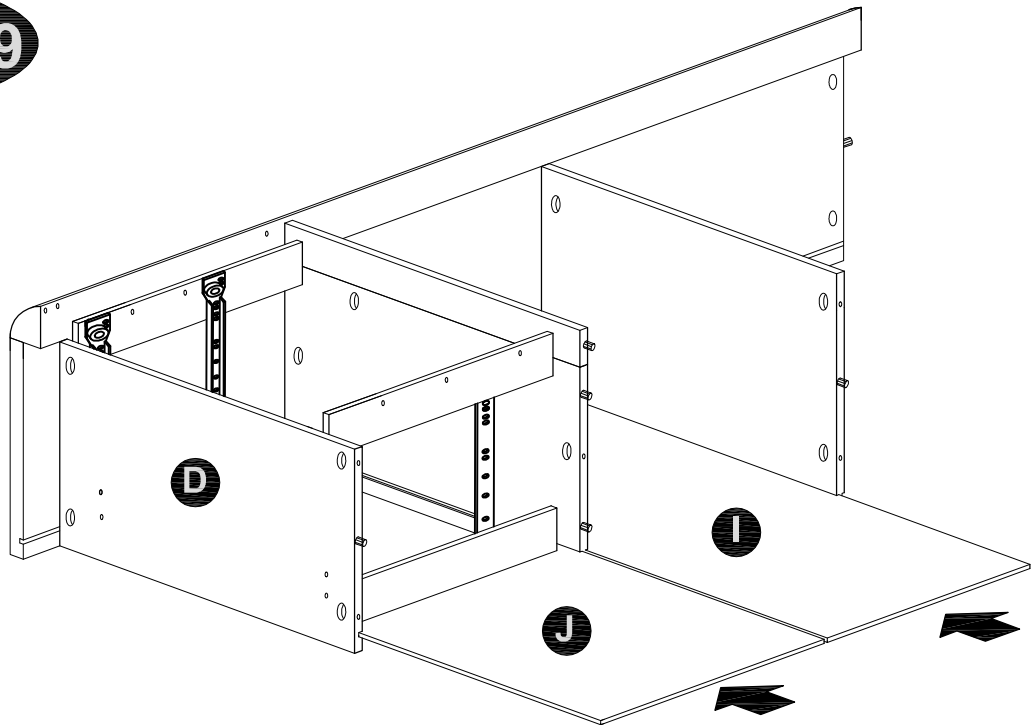
STEP 18



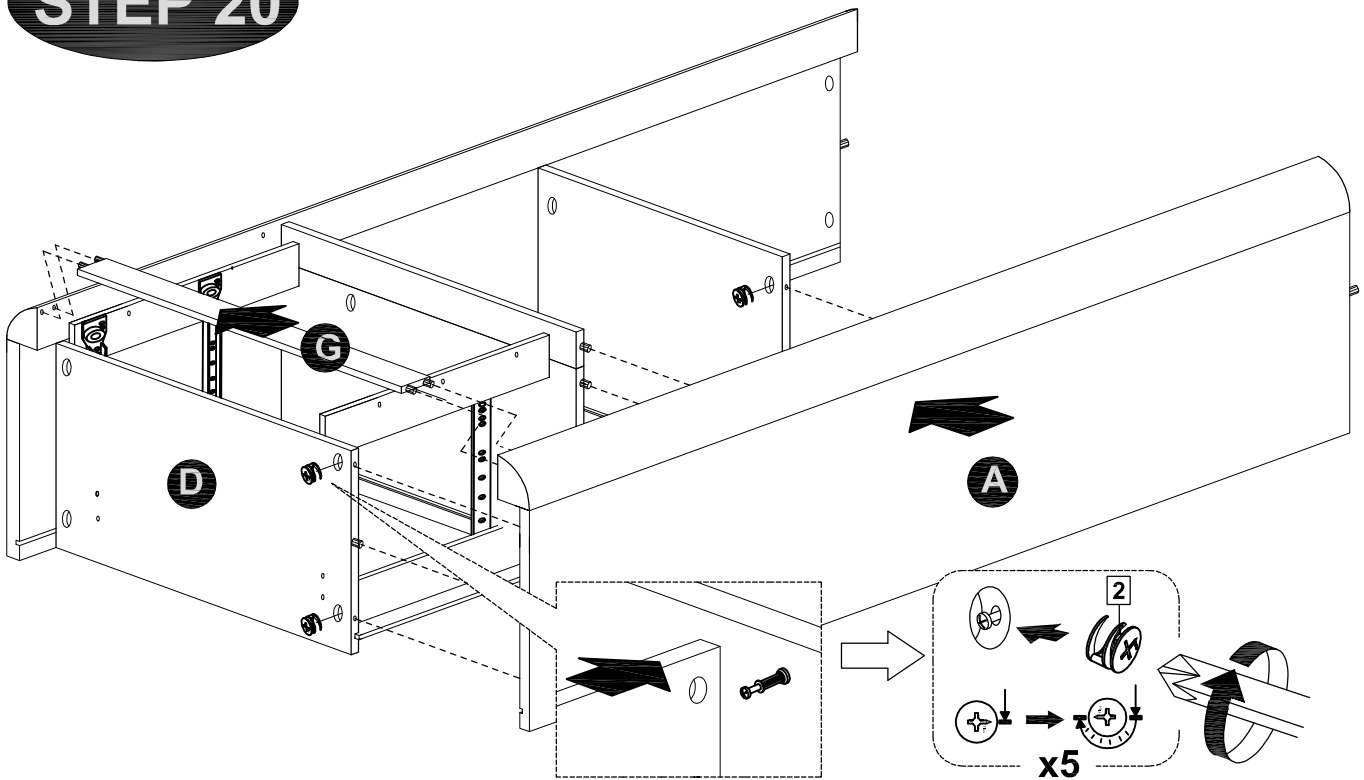
MODEL NAME:

BC 1260-05

STEP 19



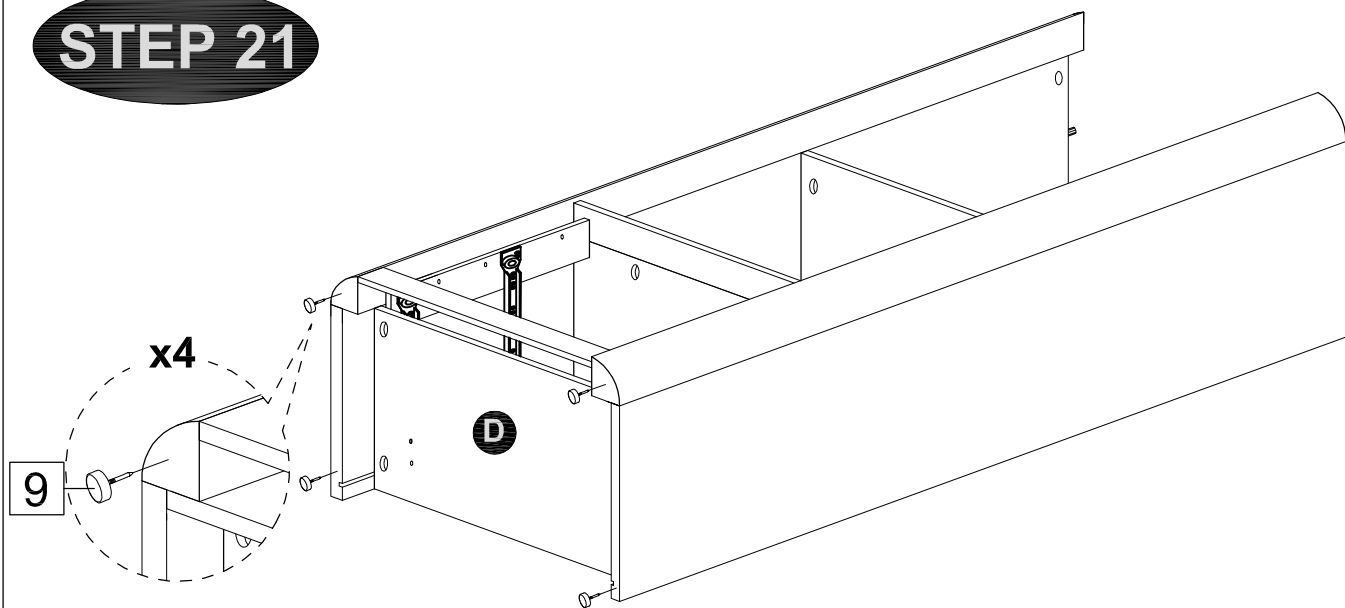
STEP 20



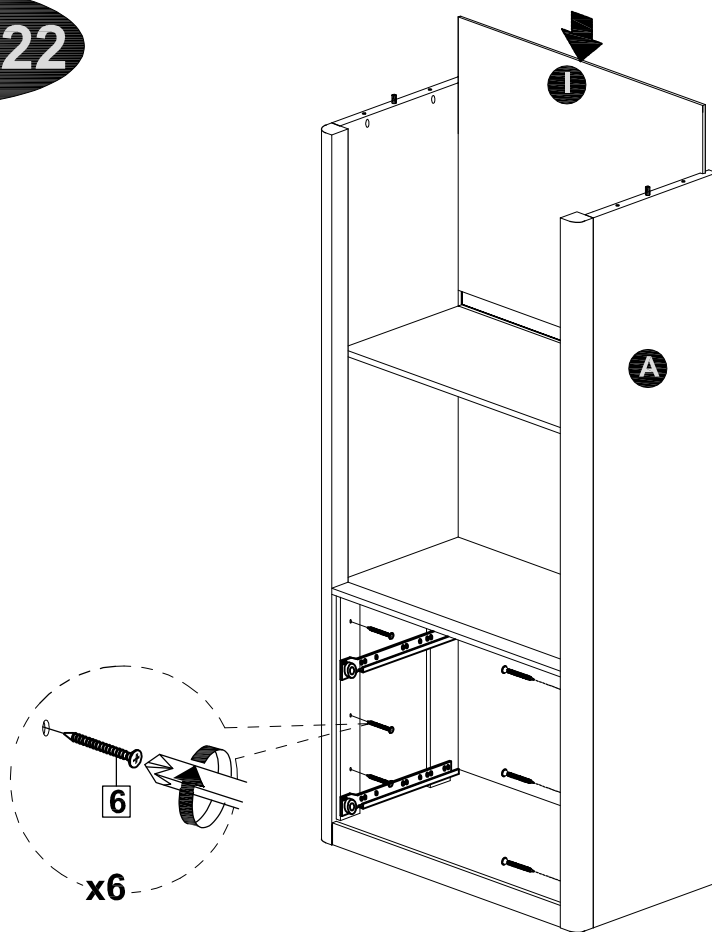
MODEL NAME:

BC 1260-05

STEP 21



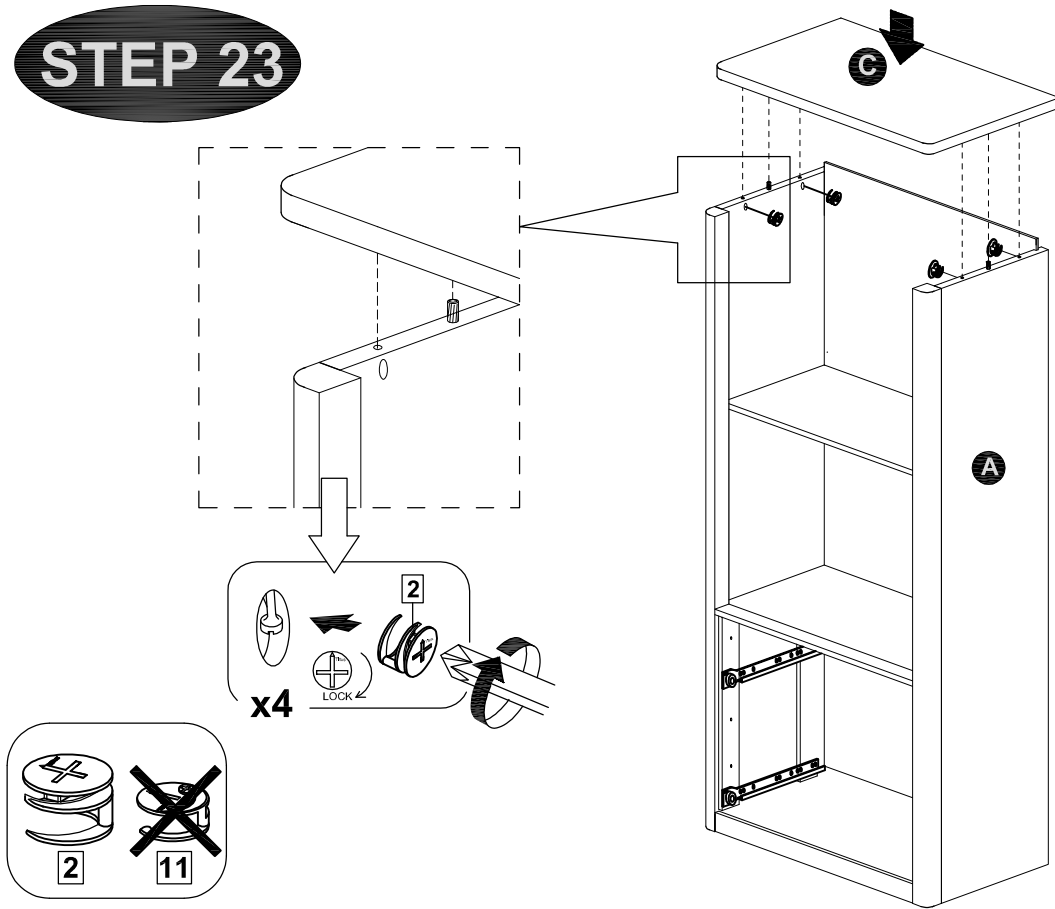
STEP 22



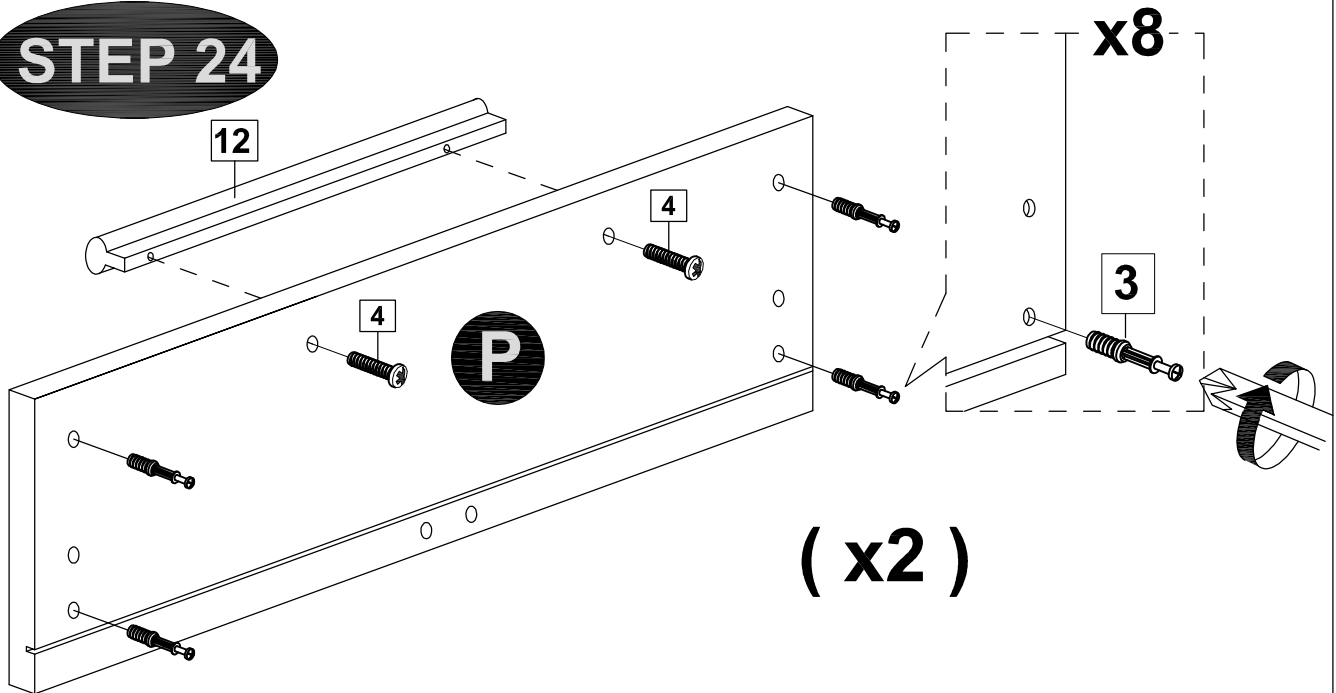
MODEL NAME:

BC 1260-05

STEP 23



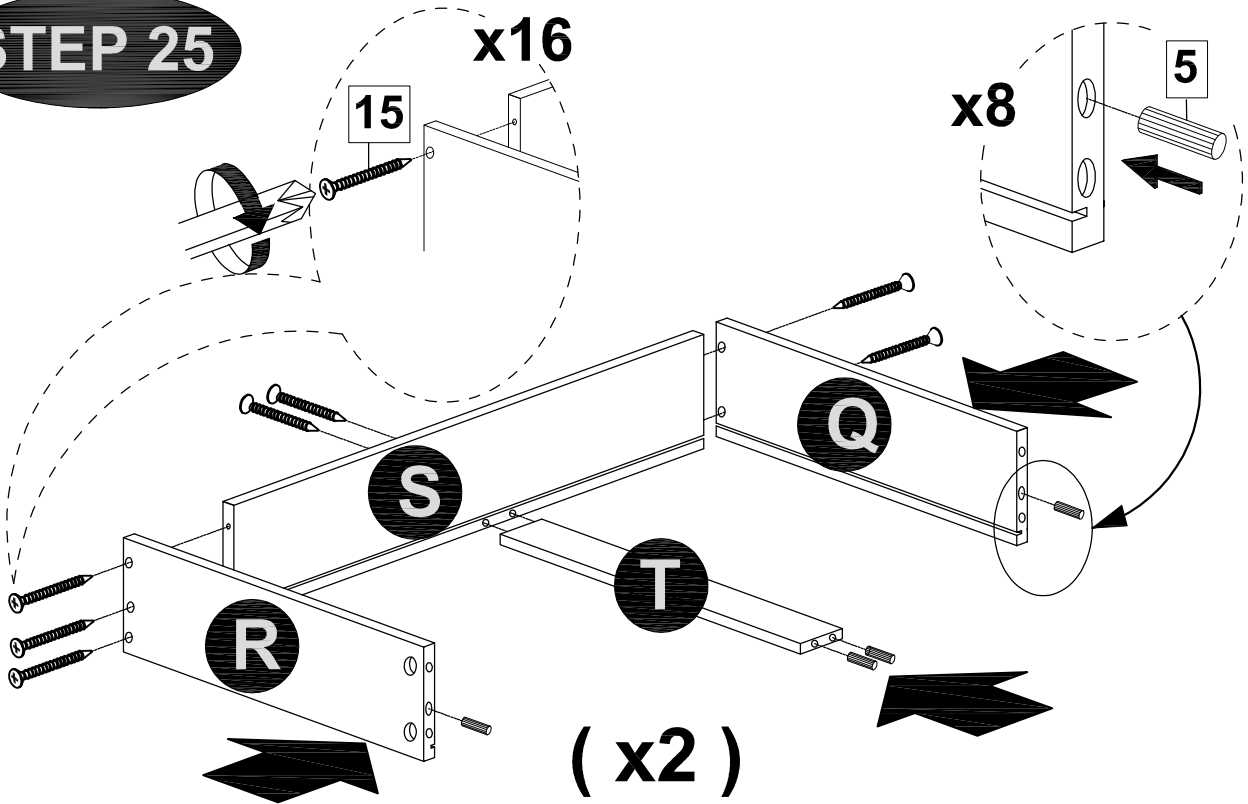
STEP 24



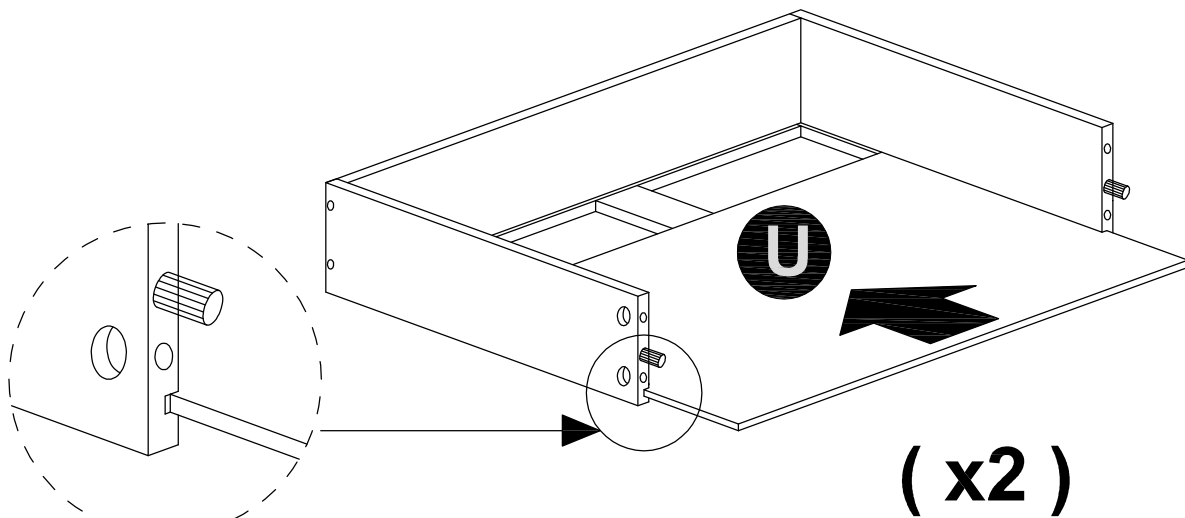
MODEL NAME:

BC 1260-05

STEP 25



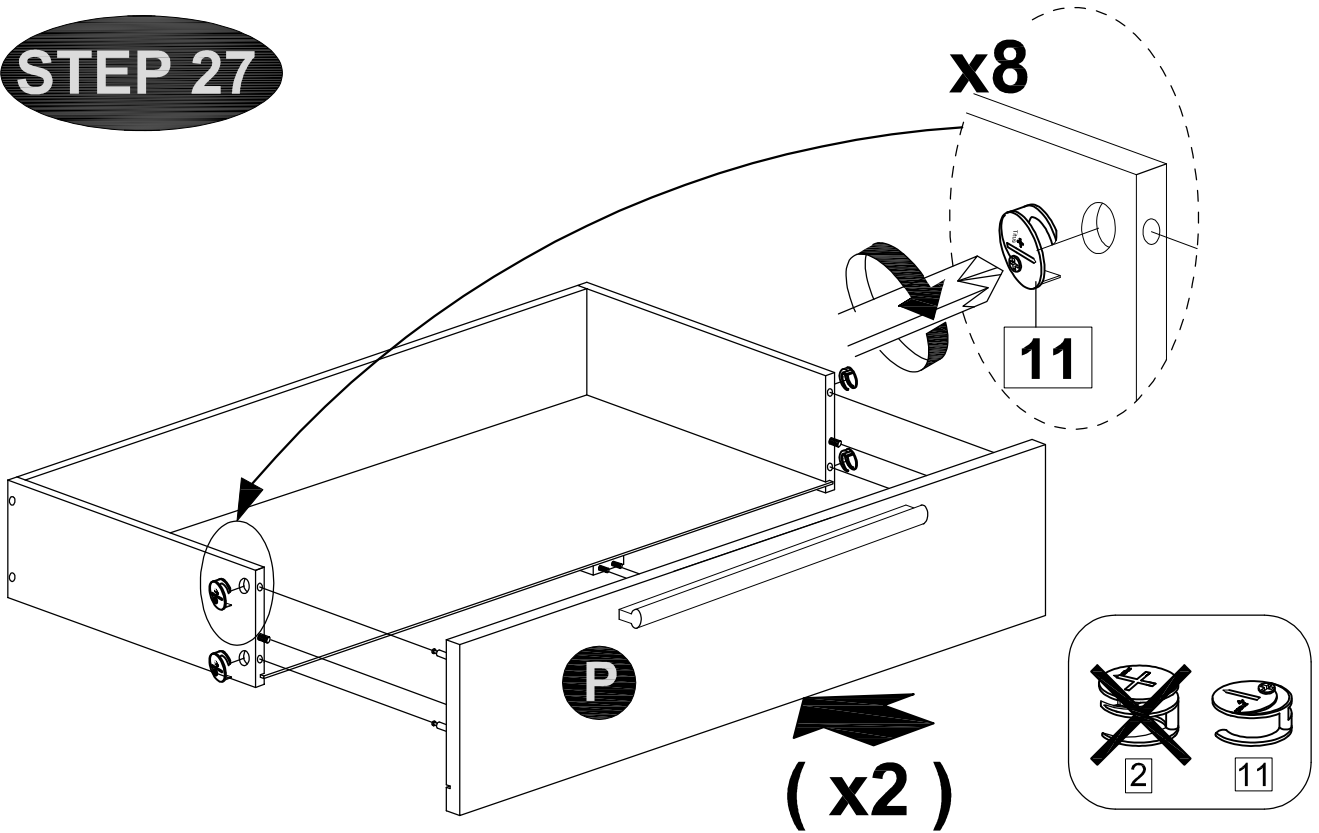
STEP 26



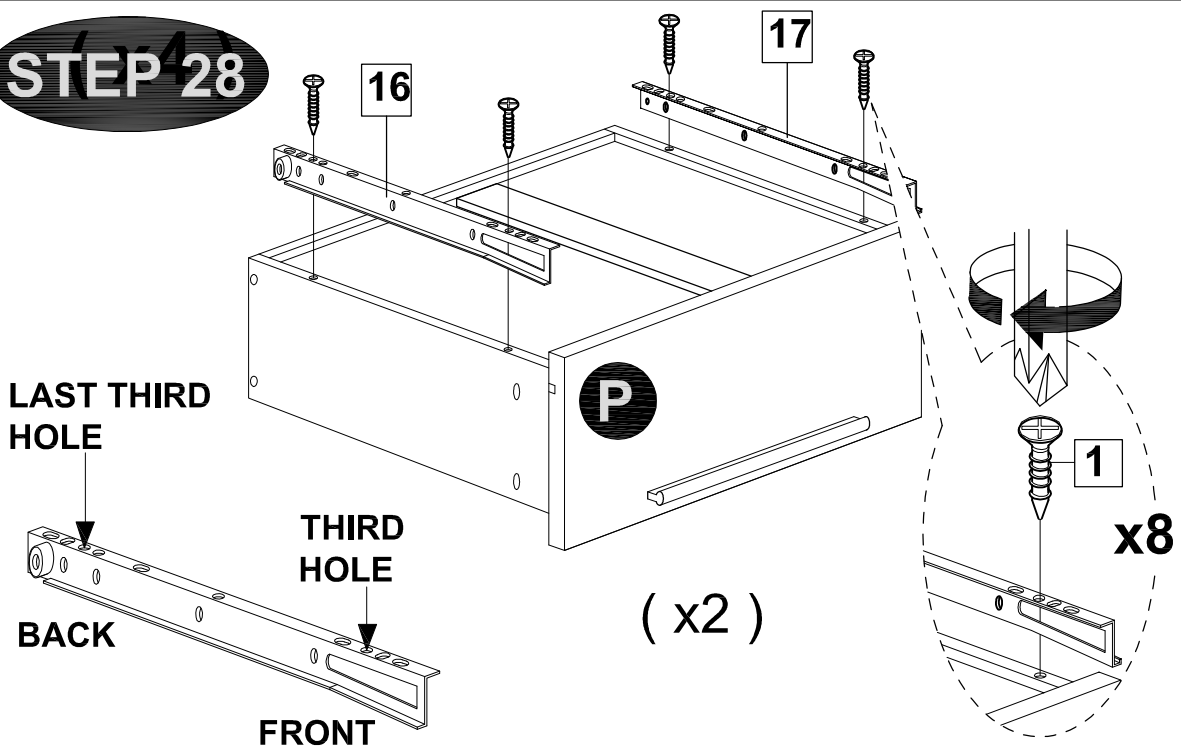
MODEL NAME:

BC 1260-05

STEP 27



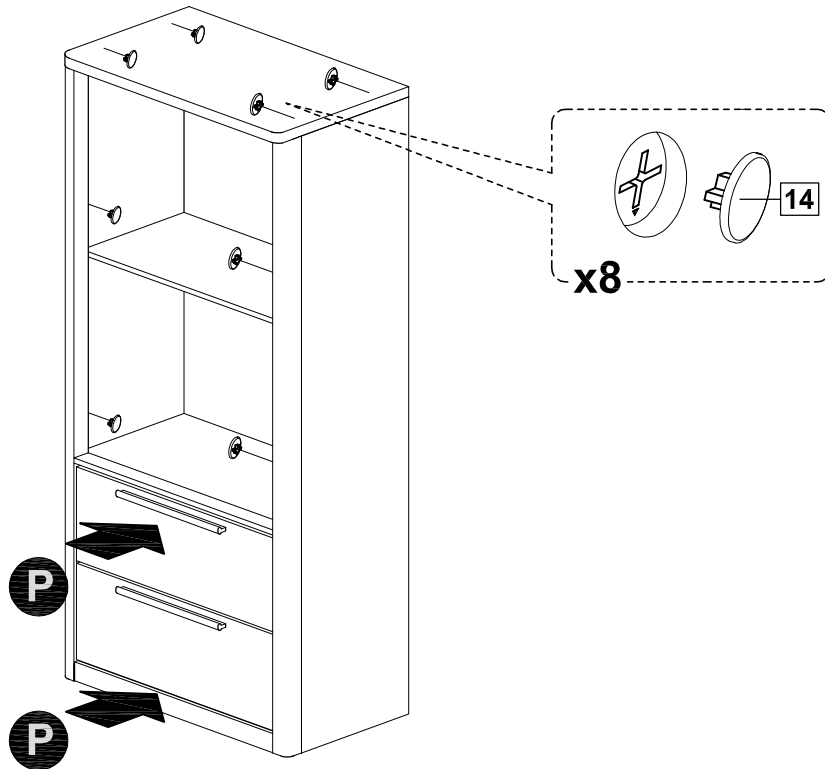
STEP 28



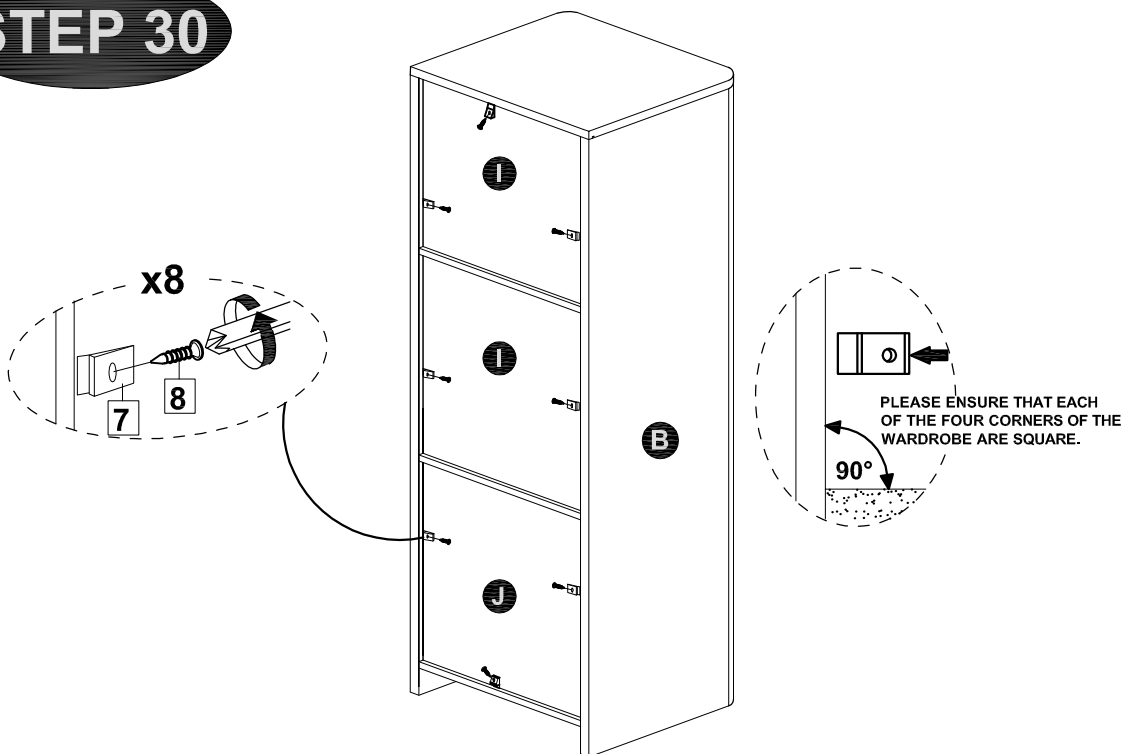
MODEL NAME:

BC 1260-05

STEP 29



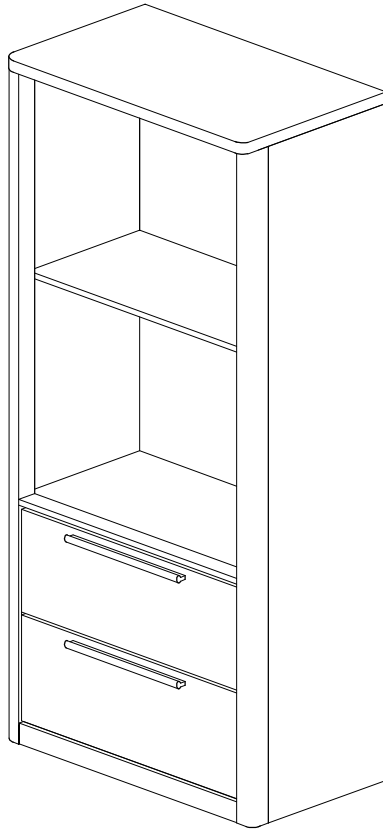
STEP 30



MODEL NAME:

BC 1260-05

STEP 31



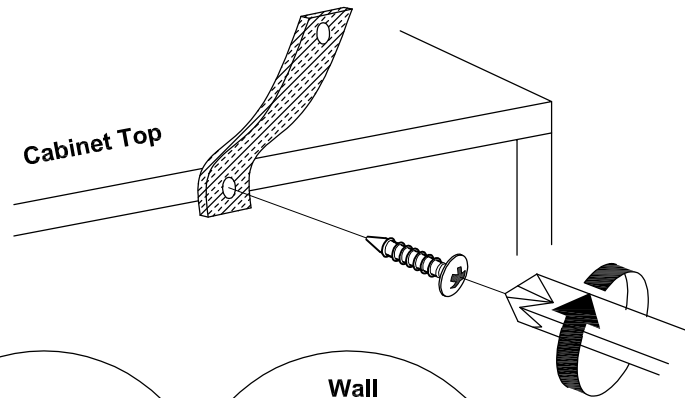
SAFETY WARNING :

It is recommended that you fit the anti-tip bracket to this item to avoid tipping and causing injury.

FITTING OF ANTI-TIP BRACKET

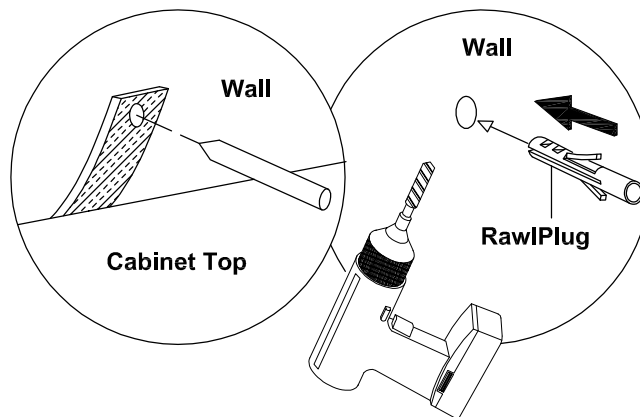
STEP 1 :

Insert screws through bracket into pre-drilled holes in cabinet.



STEP 2 :

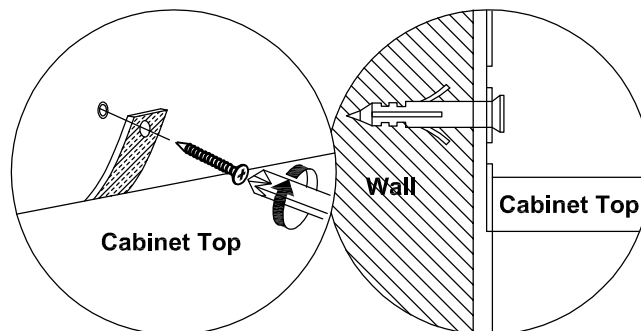
Make a mark on the wall through the bracket.



Drill a hole in the wall and insert the rawlplug.

STEP 3 :

Insert screw through bracket into hole in wall



NOTE : Wall fixings are not supplied with this product as different wall materials require different types of fixing devices (such as Rawl plugs on brick work). You must use fixing devices suitable for the type of wall you intend to mount this product to. Please ensure that the head of any screw used has a diameter greater than the diameter of the mounting hole on the bracket and that the fixing is safe and secure before use.

The screw supplied is to fix the anti-tip strap to the cabinet.

HARDWARE LIST



Anti-Tip Strap - 1pc



M4 x 16MM - 1pc