

Read this instruction carefully. See hardware and furniture part list for guidance. Be sure all parts are complete, before you assemble. Place all wooden furniture parts on a clean and flat soft surface to prevent from being scratched. Follow the figure to start assembling.

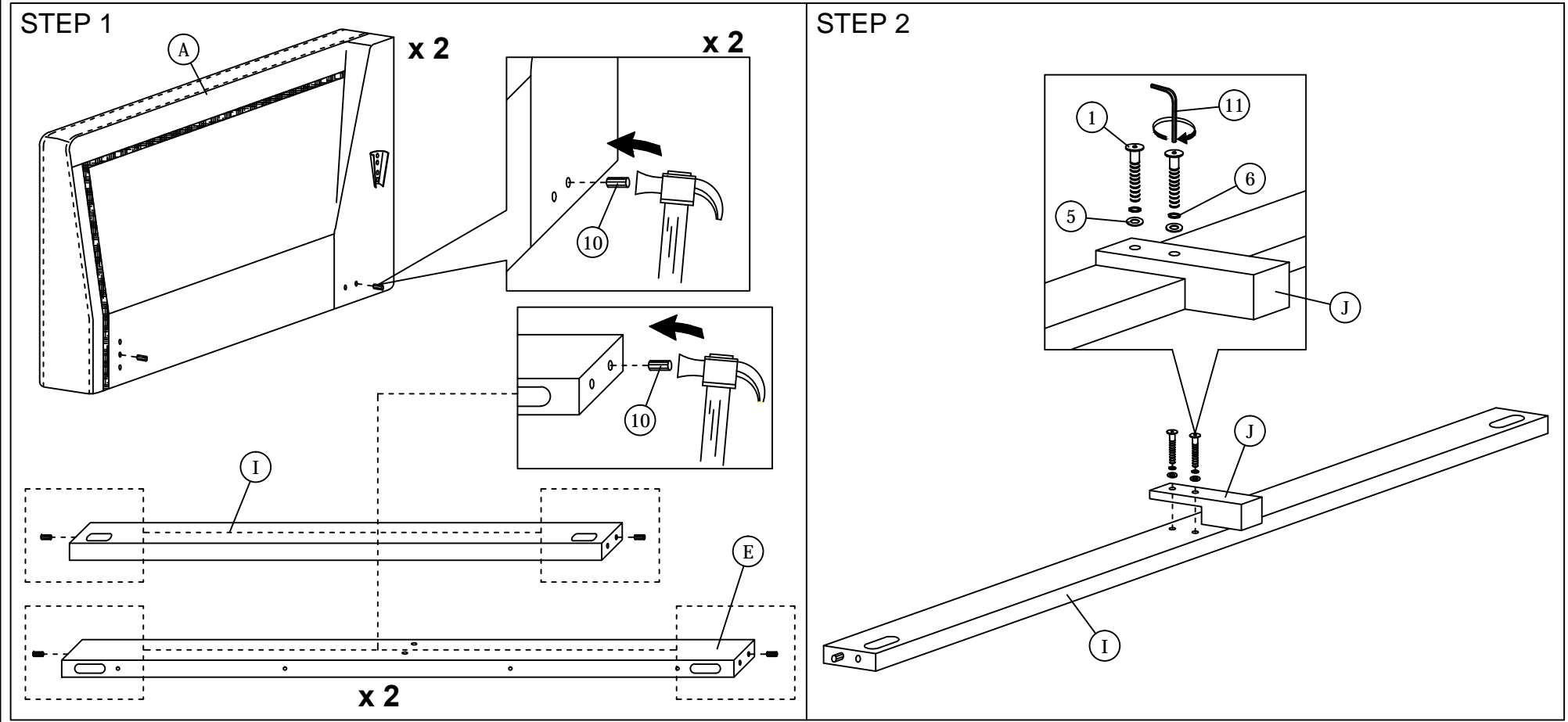
- CAUTIONS :**
1. Do not FULLY - TIGHTEN the nut or nut bolt until all nut or bolt is ready assembled.
 2. Do not OVER - TIGHTEN the nut or bolt to avoid causing damages to the thread.
 3. Keep all hardware parts out of reach of children.
 4. Strictly no power drill to assemble. Use only the screwdrivers for installation to protect the wood frame.

NOTE : THE LIST AND QUANTITY SHOWN ARE FOR 1 UNIT ASSEMBLY.

Tool needed : Screwdriver & Hammer (not provider).

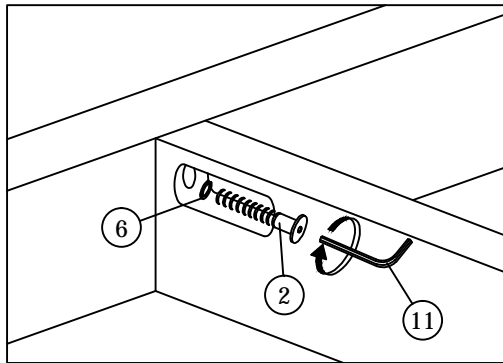
PART LIST		
ITEM	DESCRIPTION	QTY
A	ARM (L&R)	2 PCS
B	BACK	1 PC
C	SEAT	1 PC
D	LEG	2 PCS
E	SUPPORT RAIL	2 PCS
F	CUSHION BACK (L & R)	2 PCS
G	CUSHION SEAT	3 PCS
H	CUSHION ARM	2 PCS
I	CENTER RAIL	1 PC
J	CENTER SUPPORT LEG	1 PC
K	CUSHION BACK (CENTER)	1 PC

HARDWARE LIST		
ITEM	DESCRIPTION	QTY
1	JCBC BOLT M6 x 40mm	2 PCS
2	JCBC BOLT M6 x 50mm	2 PCS
3	JCBB BOLT M8 x 45mm	6 PCS
4	JCBB BOLT M8 x 60mm	4 PCS
5	M6 FLAT WASHER	2 PCS
6	M6 SPRING WASHER	4 PCS
7	M8 FLAT WASHER	6 PCS
8	M8 SPRING WASHER	10 PCS
9	WOOD SCREW M4 x 45mm	12 PCS
10	WOOD DOWEL M10 x 30mm	8 PCS
11	M4 ALLEN KEY (BALL SHAPE)	1 PC
12	M5 ALLEN KEY (BALL SHAPE)	1 PC



ASSEMBLY INSTRUCTIONS

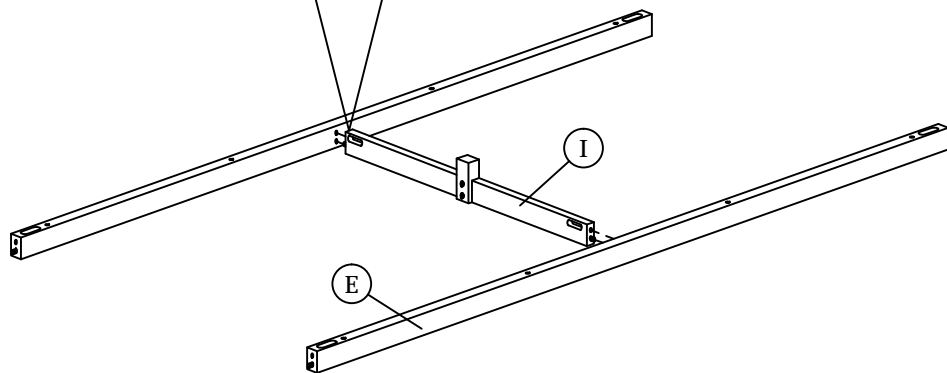
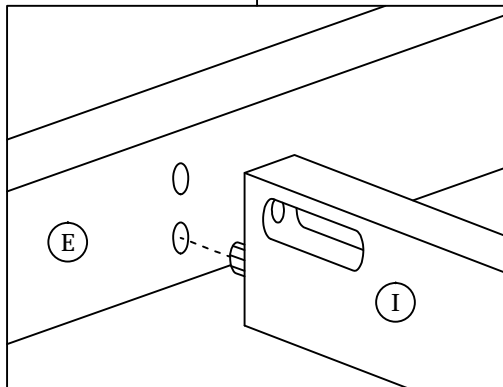
STEP 3



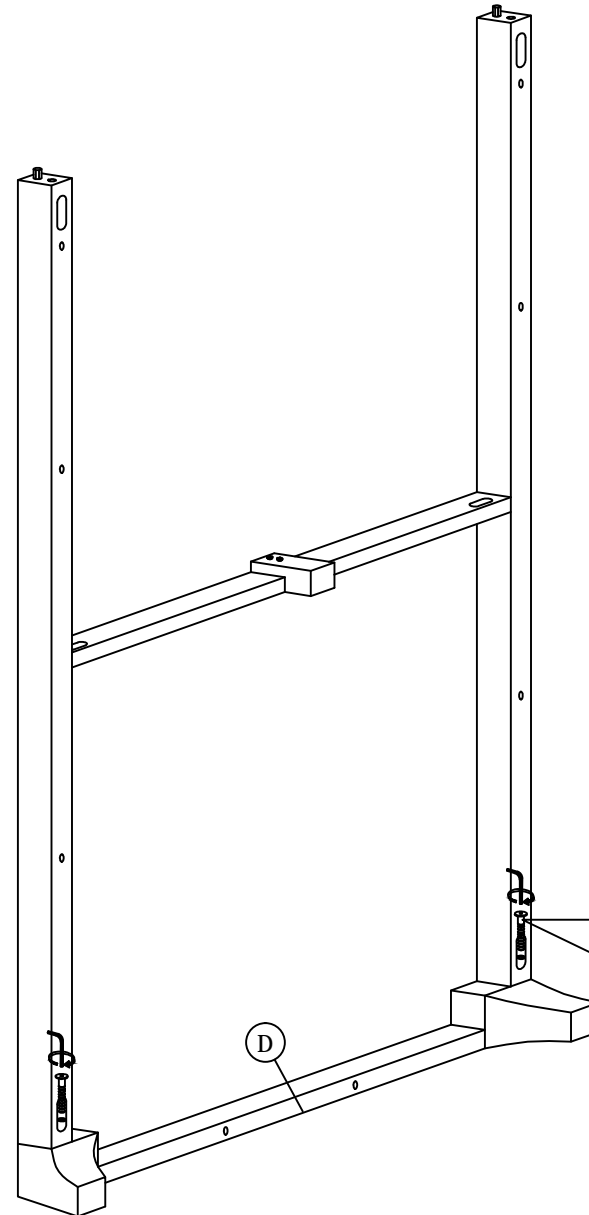
STEP 3.2

STEP 3.1

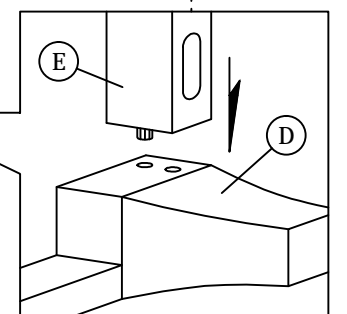
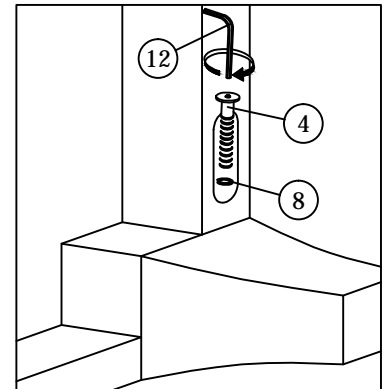
x 2



STEP 4



STEP 4.2

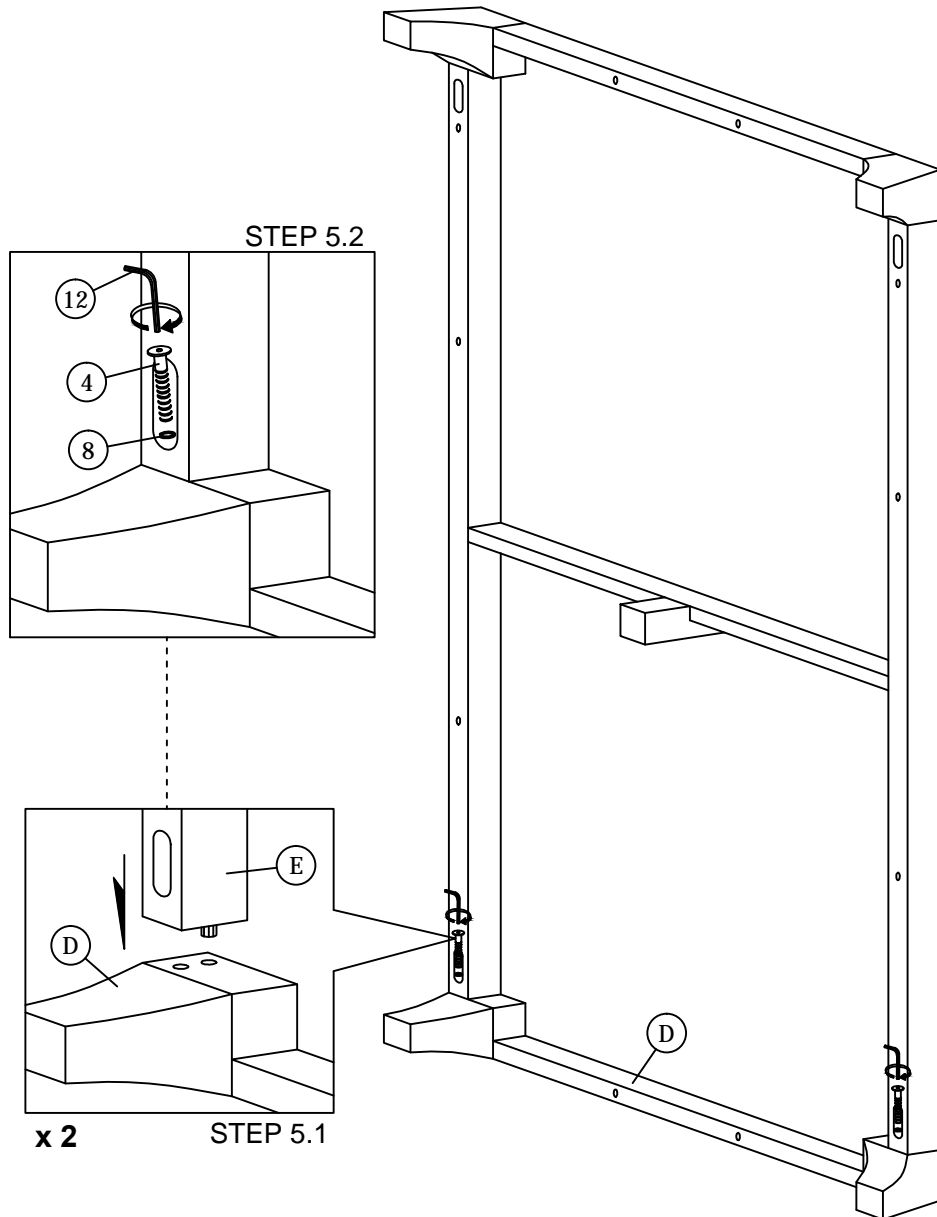


STEP 4.1

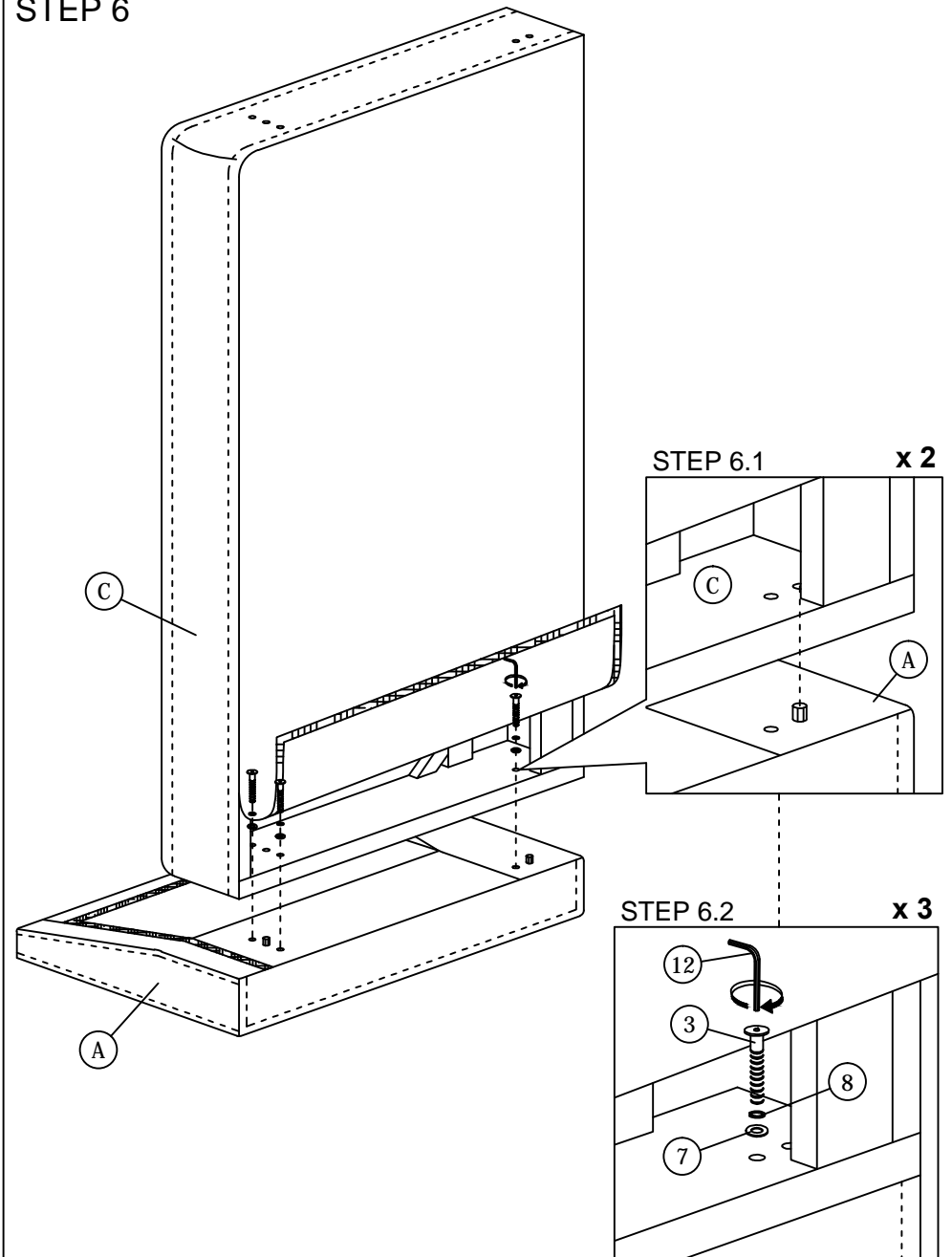
x 2

ASSEMBLY INSTRUCTIONS

STEP 5

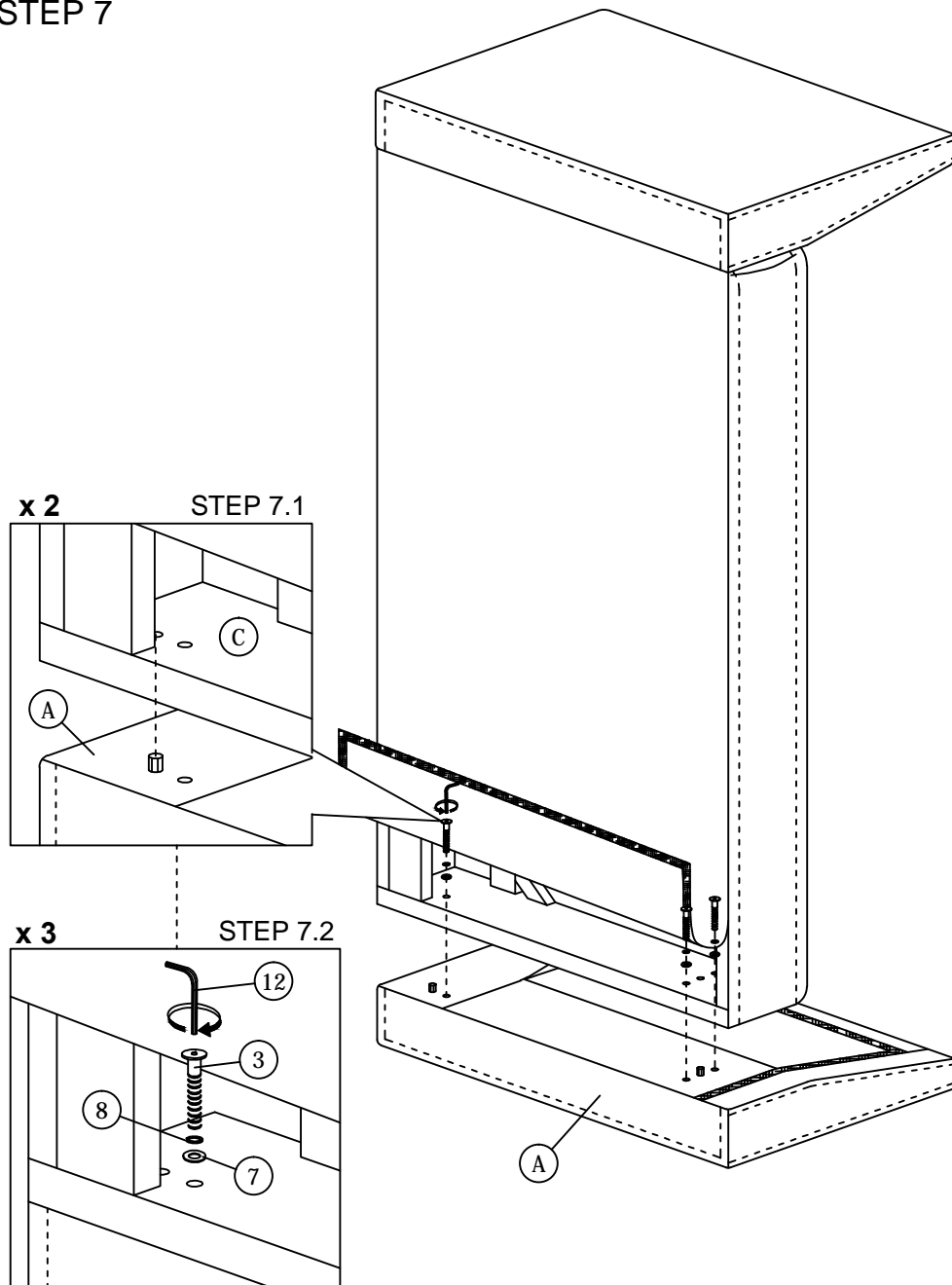


STEP 6



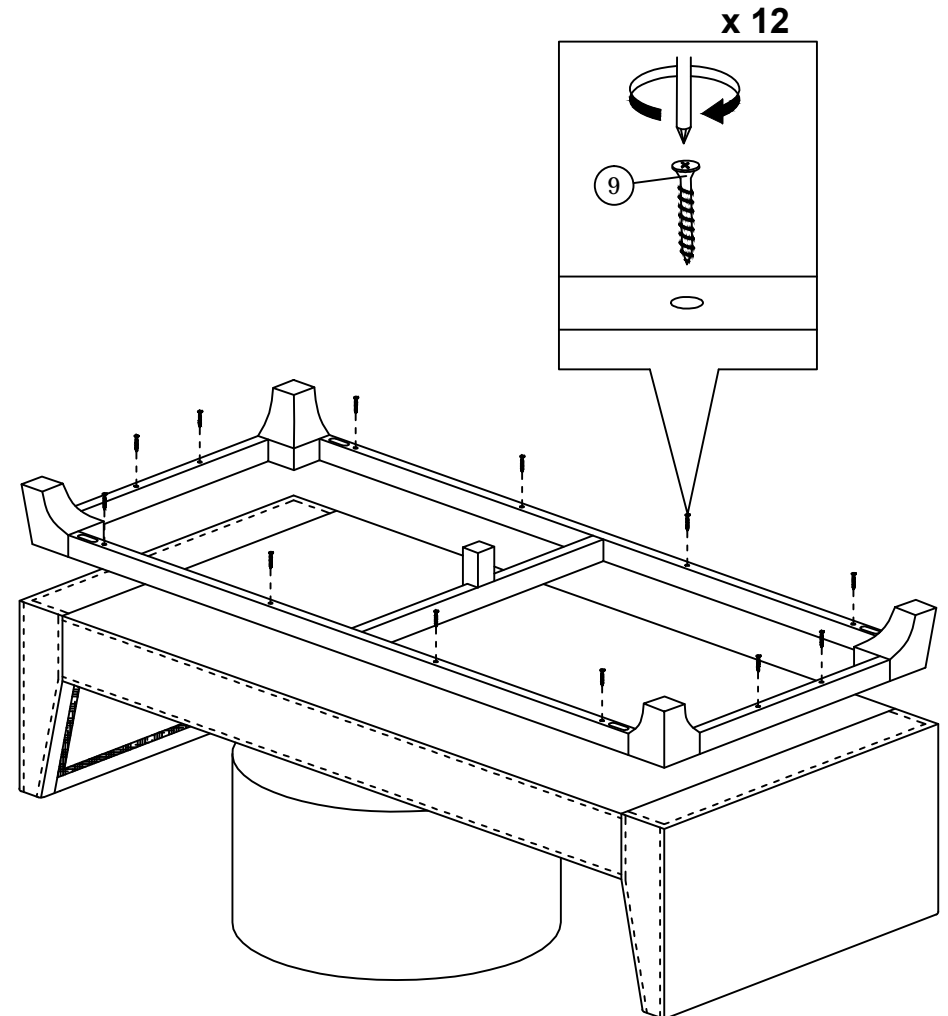
ASSEMBLY INSTRUCTIONS

STEP 7



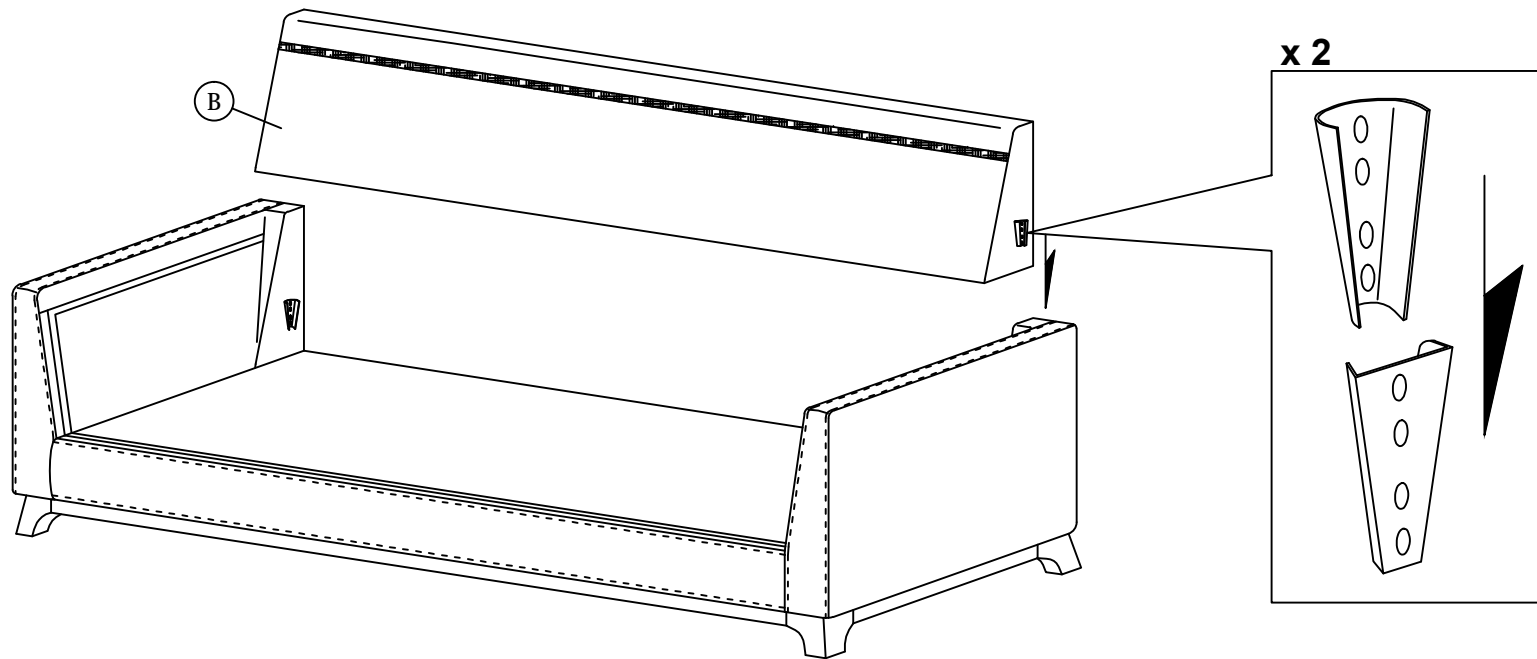
STEP 8

Note : Follow the line drawing to assemble the leg.



ASSEMBLY INSTRUCTIONS

STEP 9



STEP 10

