

Read this instruction carefully. See hardware and furniture part list for guidance. Be sure all parts are complete, before you assemble. Place all wooden furniture parts on a clean and flat soft surface to prevent from being scratched. Follow the figure to start assembling.

- CAUTIONS :**
1. Do not FULLY - TIGHTEN the nut or nut bolt until all nut or bolt is ready assembled.
 2. Do not OVER - TIGHTEN the nut or bolt to avoid causing damages to the thread.
 3. Keep all hardware parts out of reach of children.
 4. Strictly no power drill to assemble. Use only the screwdrivers for installation to protect the wood frame.

NOTE : THE LIST AND QUANTITY SHOWN ARE FOR 1 UNIT ASSEMBLY.

Tool needed : Screwdriver & Hammer (not provider).

PART LIST		
ITEM	DESCRIPTION	QTY
A	ARM (L&R)	2 PCS
B	BACK	1 PC
C	SEAT	1 PC
D	LEG	2 PCS
E	SUPPORT RAIL	2 PCS
F	CUSHION BACK (L & R)	2 PCS
G	CUSHION SEAT	2 PCS
H	CUSHION ARM	2 PCS

HARDWARE LIST		
ITEM	DESCRIPTION	QTY
1	JCBB BOLT M8 x 45mm	6 PCS
2	JCBB BOLT M8 x 60mm	4 PCS
3	M8 FLAT WASHER	6 PCS
4	M8 SPRING WASHER	10 PCS
5	WOOD SCREW M4 x 45mm	12 PCS
6	WOOD DOWEL M10 x 30mm	8 PCS
7	M5 ALLEN KEY (BALL SHAPE)	1 PC

STEP 1

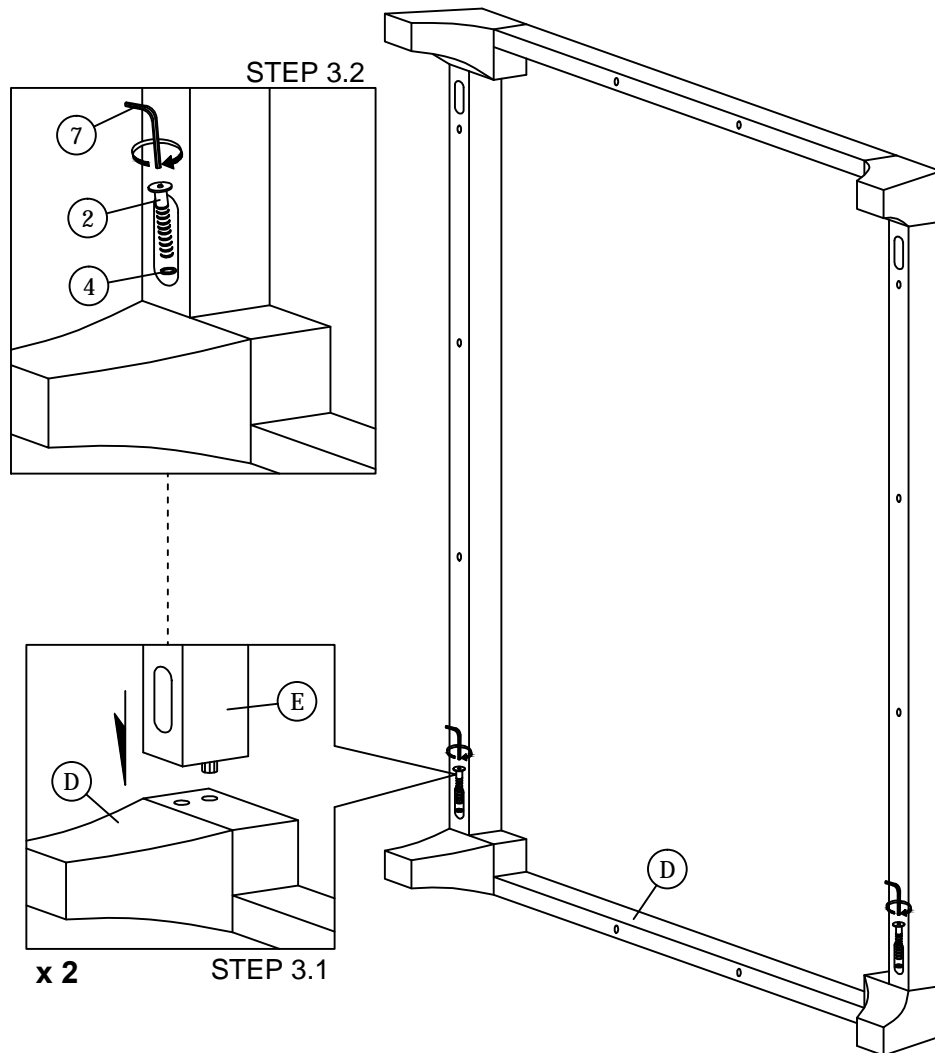
STEP 1 shows the assembly of the backrest (A) and support rail (E). The backrest (A) is shown being attached to the support rail (E) using wood dowels (6). An inset shows a hammer being used to drive the dowel into the rail.

STEP 2

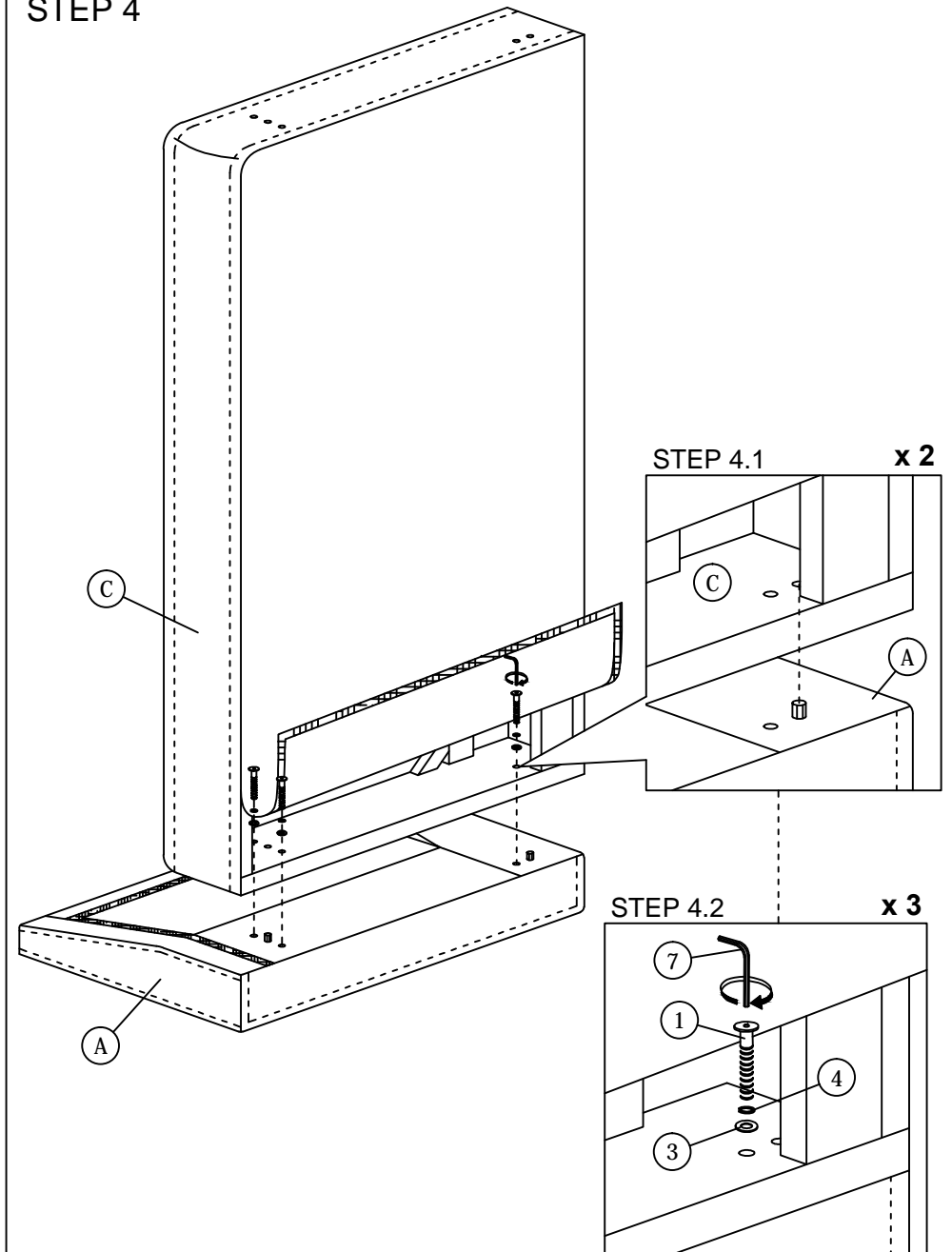
STEP 2 shows the assembly of the legs (D) and support rail (E). The leg (D) is attached to the support rail (E) using a bolt (2), washer (3), and spring washer (4). An inset (STEP 2.2) shows the bolt (2) being inserted through the leg (D) and support rail (E) with a washer (3) and spring washer (4). Another inset (STEP 2.1) shows the leg (D) being attached to the support rail (E) using a bolt (2) and washer (3).

ASSEMBLY INSTRUCTIONS

STEP 3

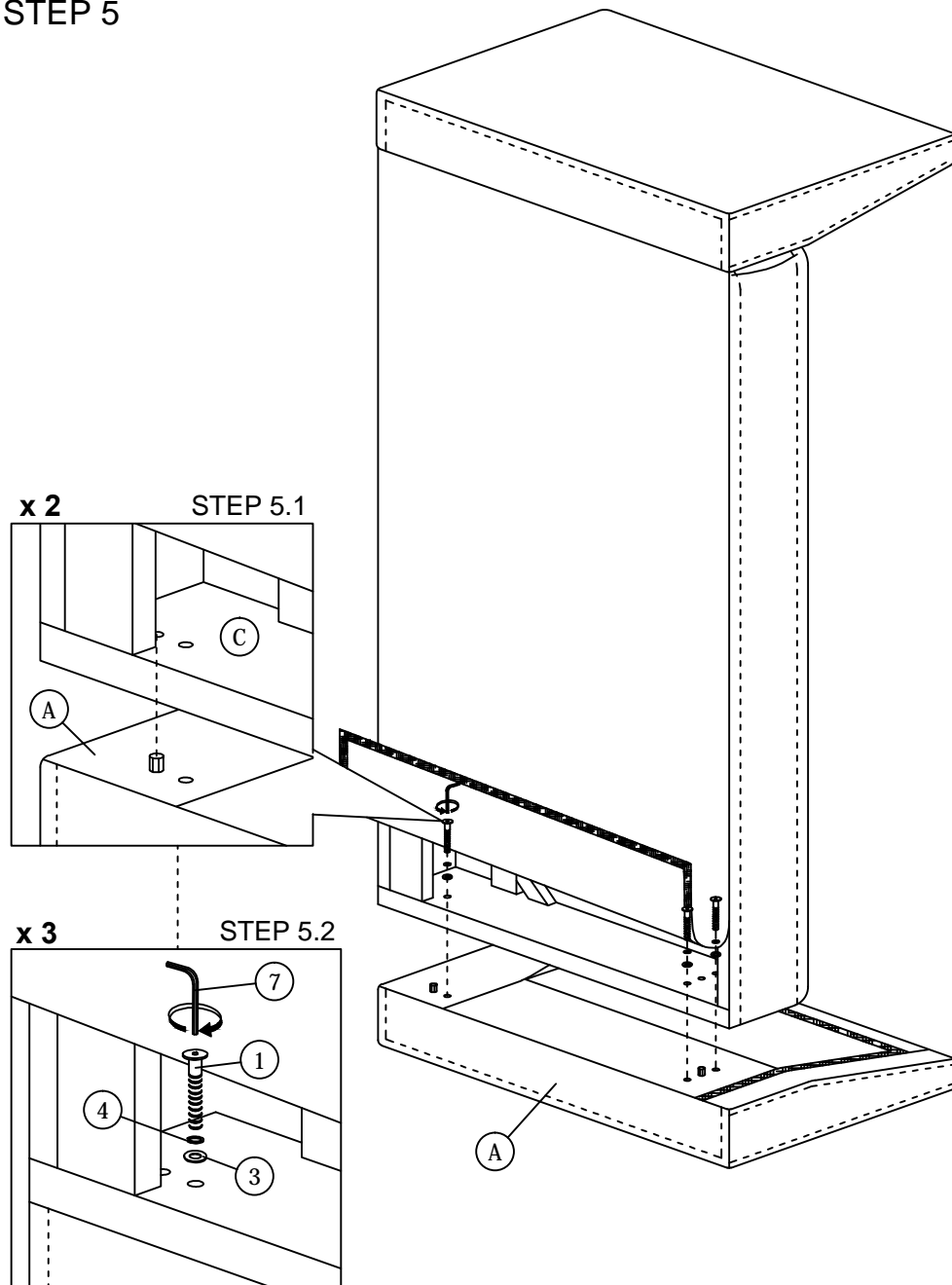


STEP 4



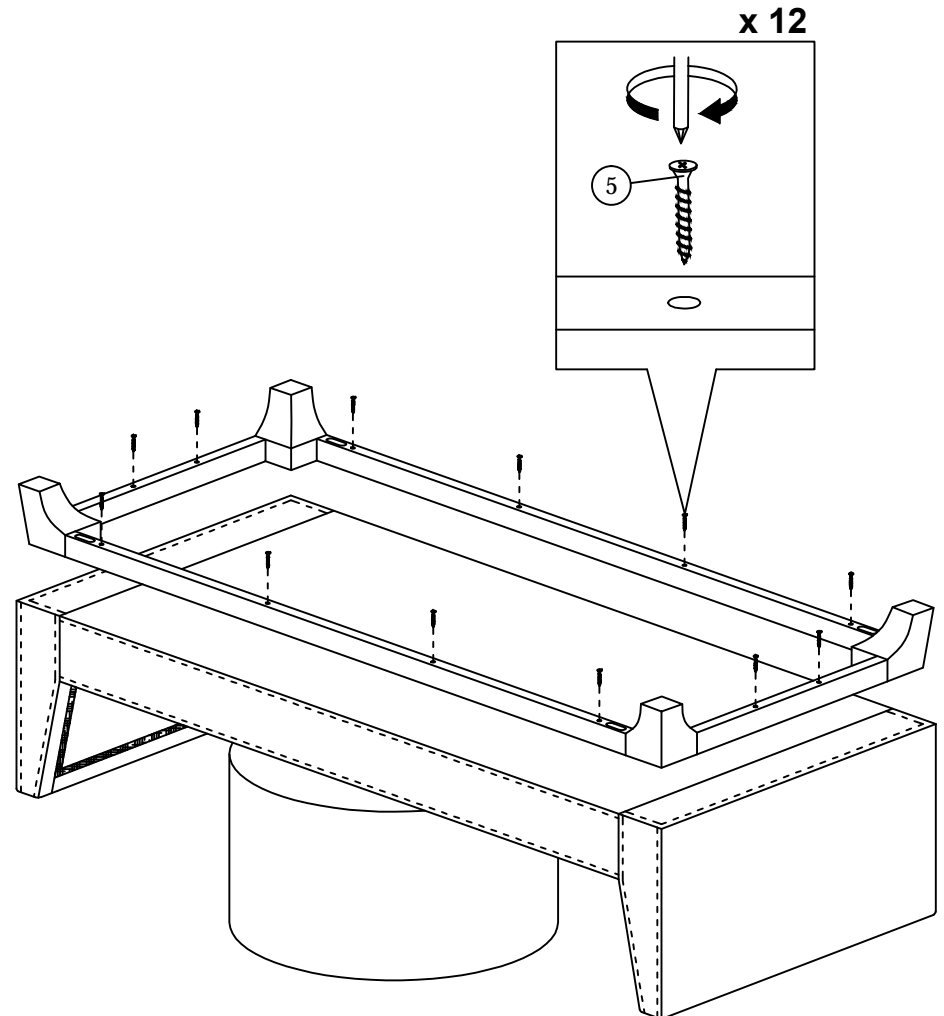
ASSEMBLY INSTRUCTIONS

STEP 5



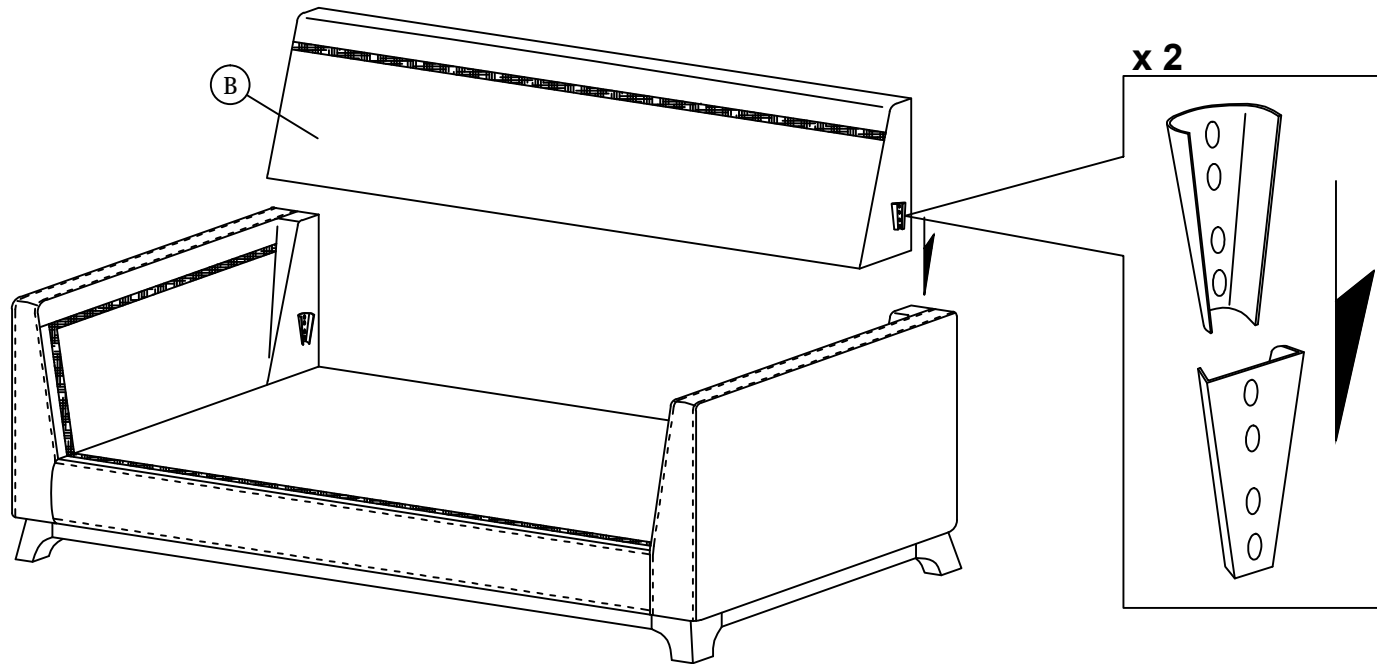
STEP 6

Note : Follow the line drawing to assemble the leg.



ASSEMBLY INSTRUCTIONS

STEP 7



STEP 8

