

Read this instruction carefully. See hardware and furniture part list for guidance. Be sure all parts are complete, before you assemble. Place all wooden furniture parts on a clean and flat soft surface to prevent from being scratched. Follow the figure to start assembling.

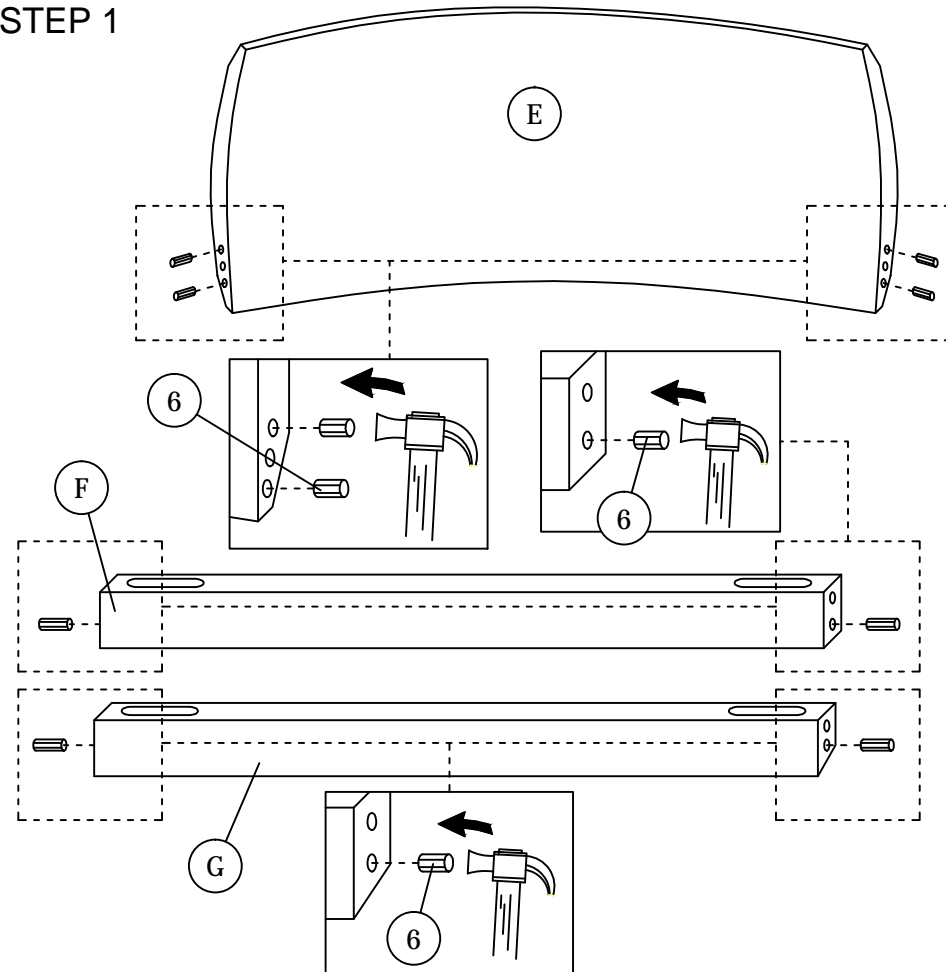
CAUTIONS : 1. Do not FULLY - TIGHTEN the nut or nut bolt until all nut or bolt is ready assembled.
2. Do not OVER - TIGHTEN the nut or bolt to avoid causing damages to the thread.
3. Keep all hardware parts out of reach of children.

NOTE : 1. THE LIST AND QUANTITY SHOWN ARE FOR 1 UNIT ASSEMBLY
Tool needed : Hammer (not provider).

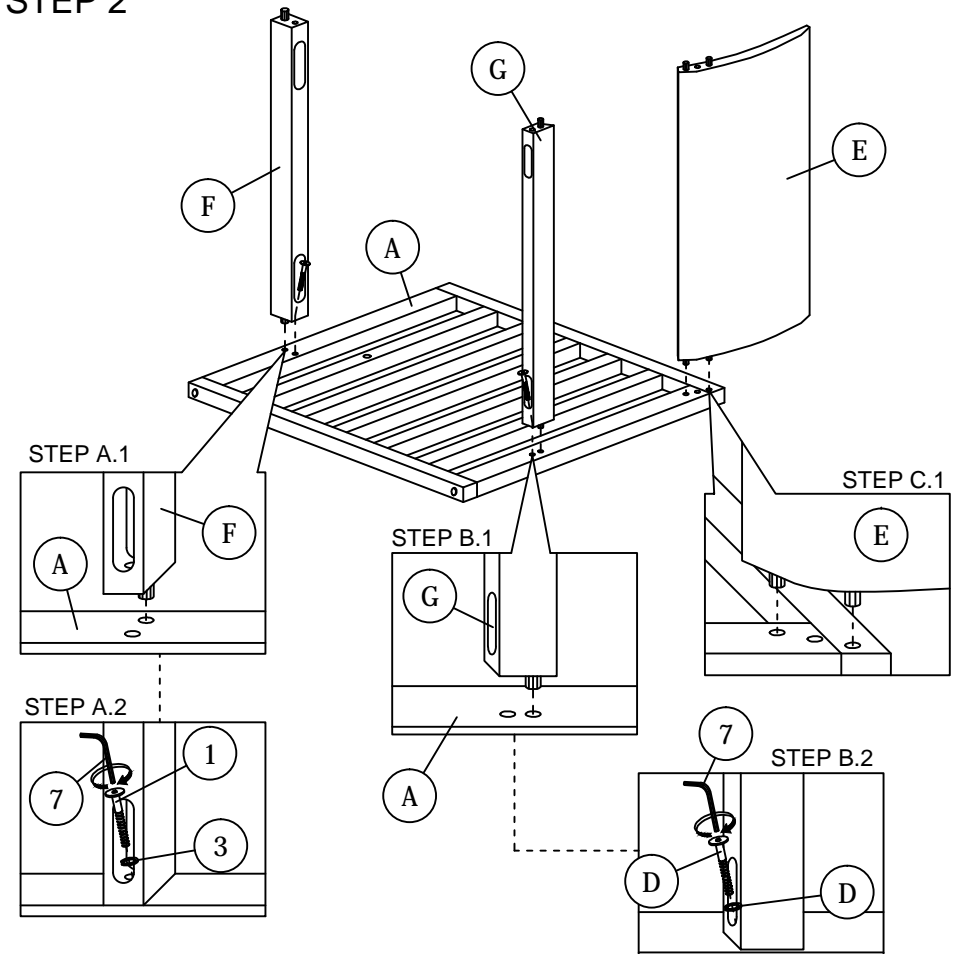
PART LIST		
ITEM	DESCRIPTION	QTY
A	ARM (L)	1 PC
B	ARM (R)	1 PC
C	CUSHION BACK	1 PC
D	CUSHION SEAT	1 PC
E	BACK	1 PC
F	FRONT RAIL	1 PC
G	BACK RAIL	1 PC

HARDWARE LIST		
ITEM	DESCRIPTION	QTY
1	JCBC BOLT M6 x 50mm	8 PCS
2	JCBC BOLT M6 x 35mm	2 PCS
3	M6 SPRING WASHER	8 PCS
4	M6 FLAT WASHER	4 PCS
5	WOOD BUTTON DIA 14.5mm	2 PCS
6	WOOD DOWEL M10 x 30mm	8 PCS
7	M4 ALLEN KEY (BALL SHAPE)	1 PC

STEP 1

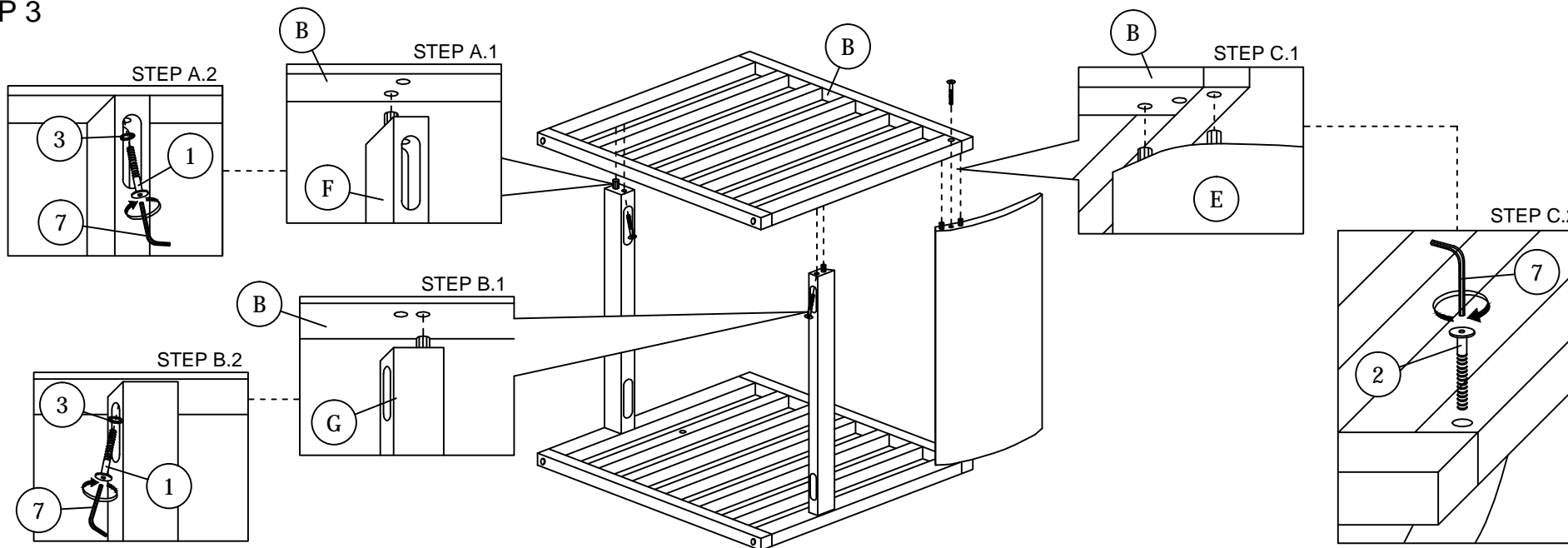


STEP 2

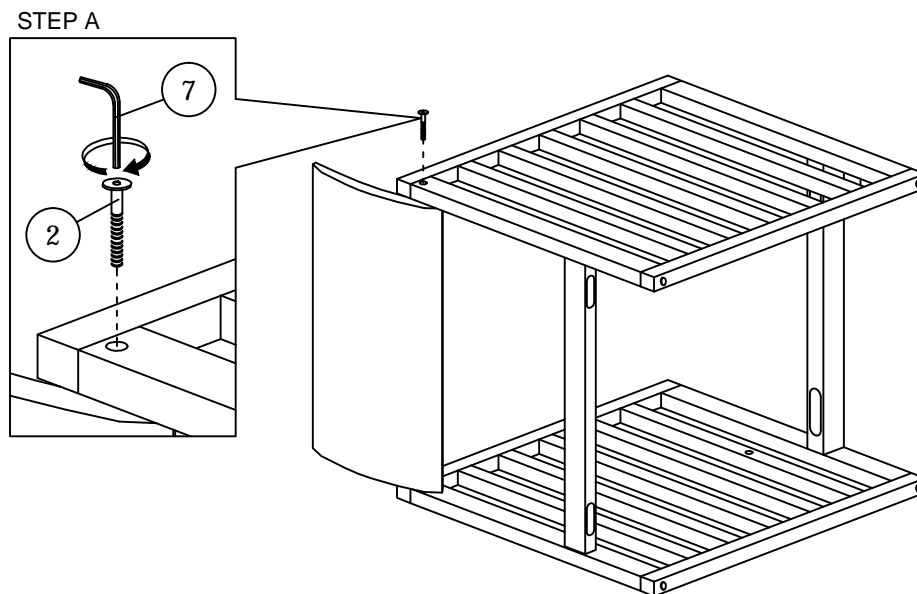


ASSEMBLY INSTRUCTIONS

STEP 3



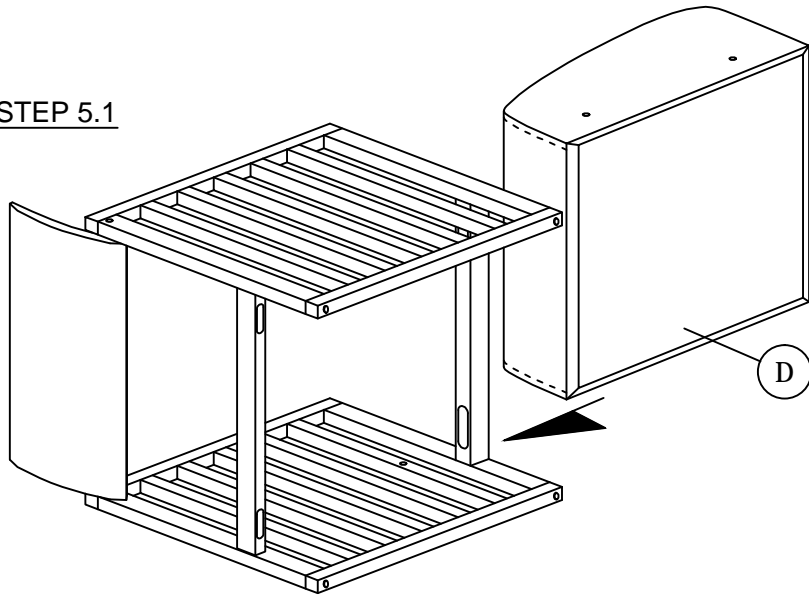
STEP 4



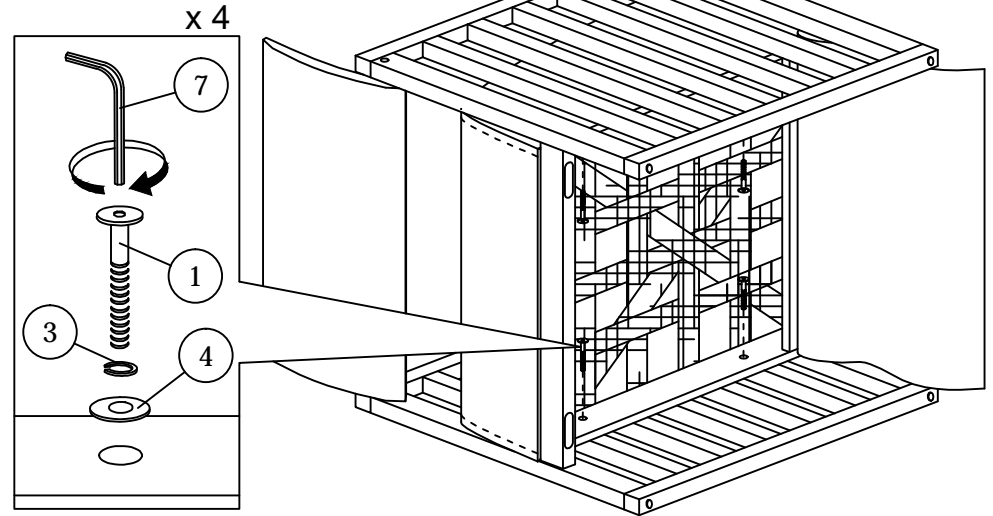
ASSEMBLY INSTRUCTIONS

STEP 5

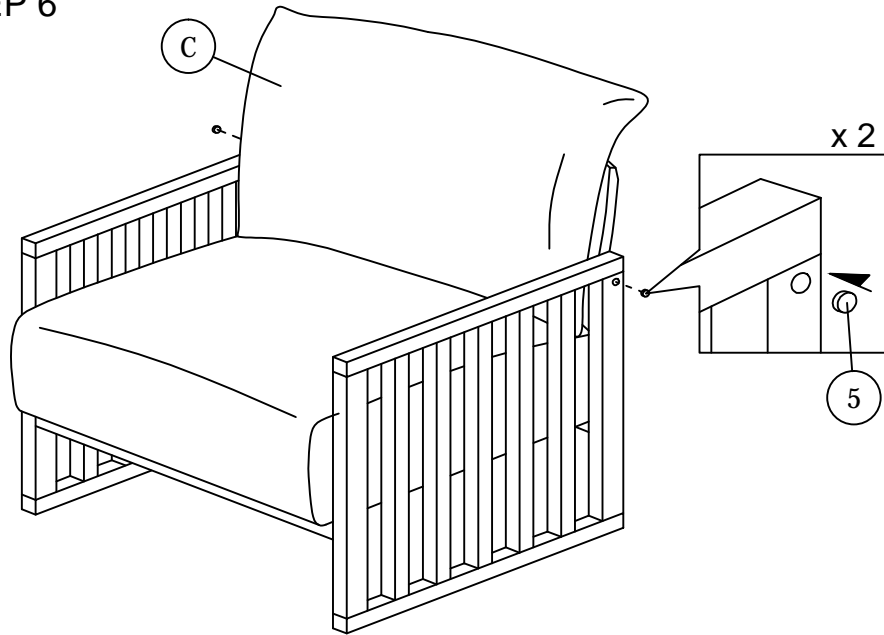
STEP 5.1



STEP 5.2



STEP 6



STEP 7

