

Read this instruction carefully. See hardware and furniture part list for guidance. Be sure all parts are complete, before you assemble. Place all wooden furniture parts on a clean and flat soft surface to prevent from being scratched. Follow the figure to start assembling.

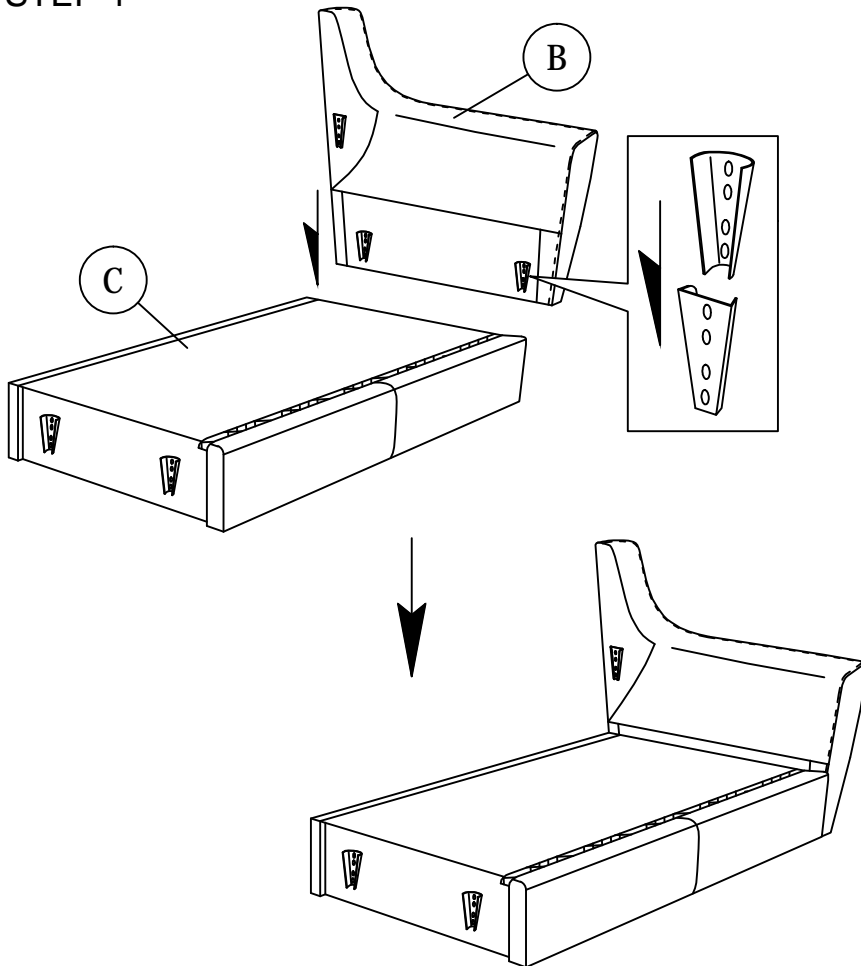
CAUTIONS : 1. Do not FULLY - TIGHTEN the nut or nut bolt until all nut or bolt is ready assembled.
 2. Do not OVER - TIGHTEN the nut or bolt to avoid causing damages to the thread.
 3. Keep all hardware parts out of reach of children.

NOTE : 1. THE LIST AND QUANTITY SHOWN ARE FOR 1 UNIT ASSEMBLY

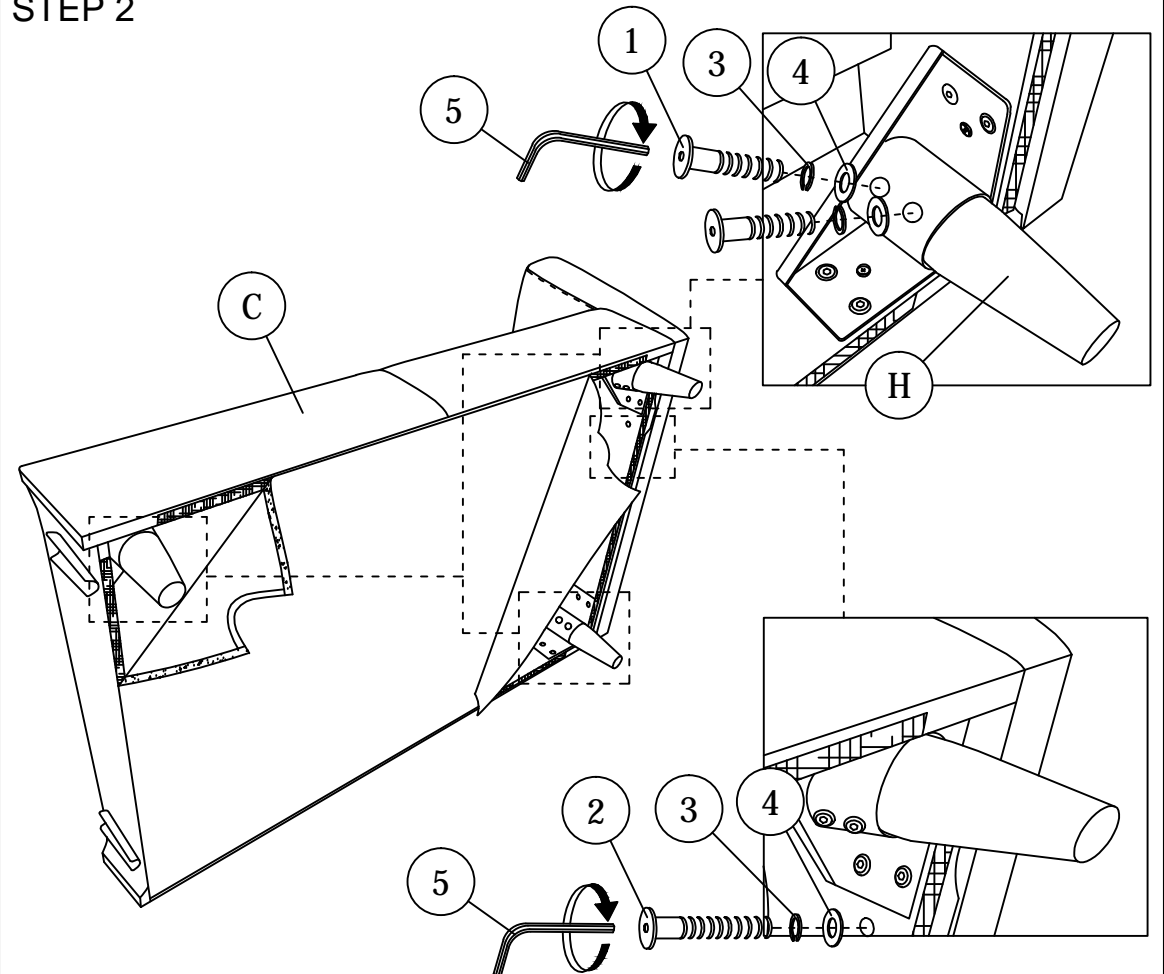
PART LIST		
ITEM	DESCRIPTION	QTY
A	ARM (L)	1 PC
B	ARM (R)	1 PC
C	BOX SEAT	1 PC
D	L SHAPE BOX SEAT	1 PC
E	CUSHION BACK	1 PC
F	L SHAPE CUSHION SEAT	1 PC
G	CUSHION SEAT	2 PCS
H	LEG	7 PCS

HARDWARE LIST		
ITEM	DESCRIPTION	QTY
1	JCBC Bolt M6 x 20mm 	14 PCS
2	JCBC Bolt M6 x 50mm 	2 PCS
3	M6 SPRING WASHER 	16 PCS
4	M6 FLAT WASHER 	16 PCS
5	M4 ALLEN KEY (BALL SHAPE) 	1pc

STEP 1

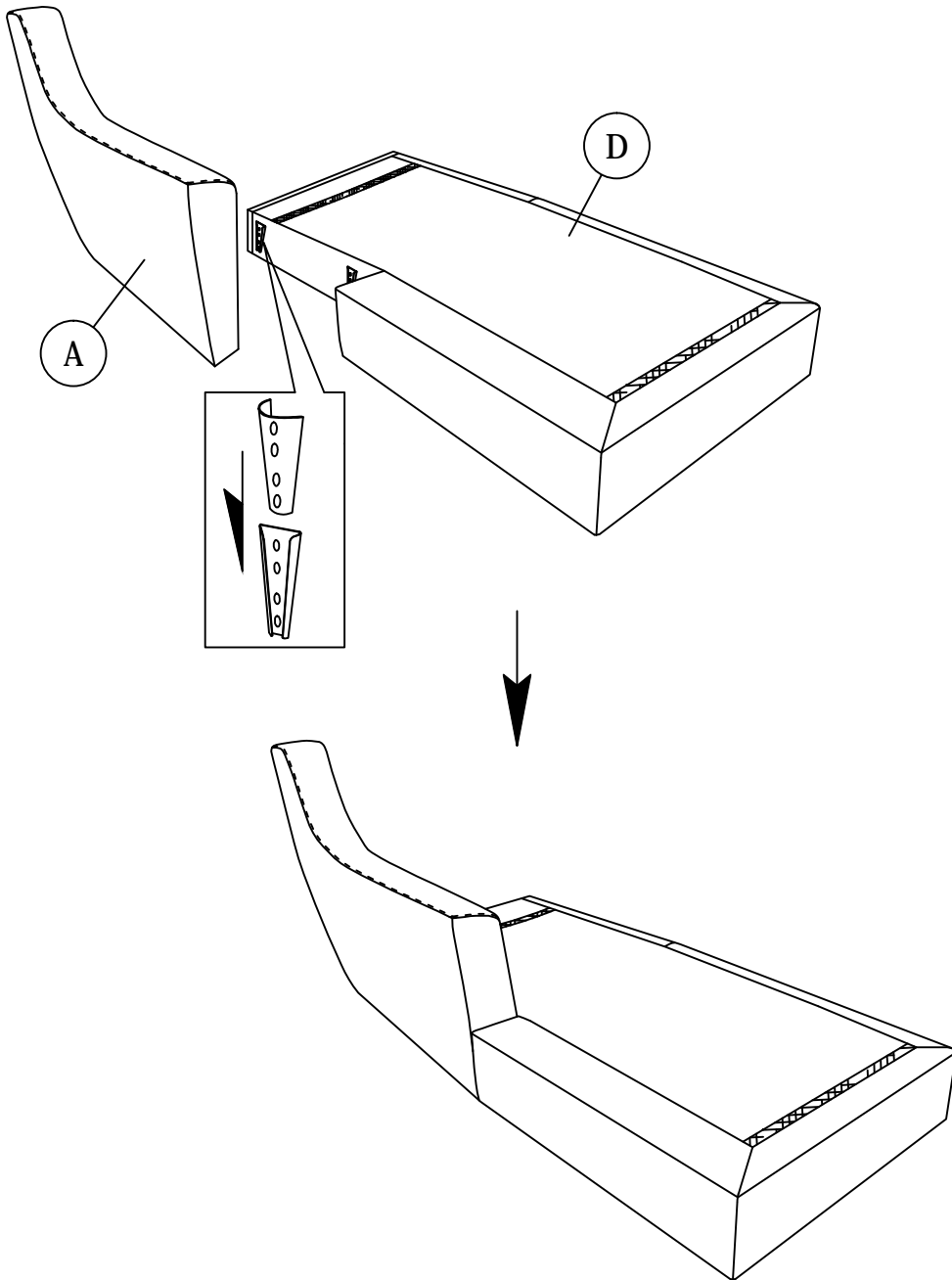


STEP 2

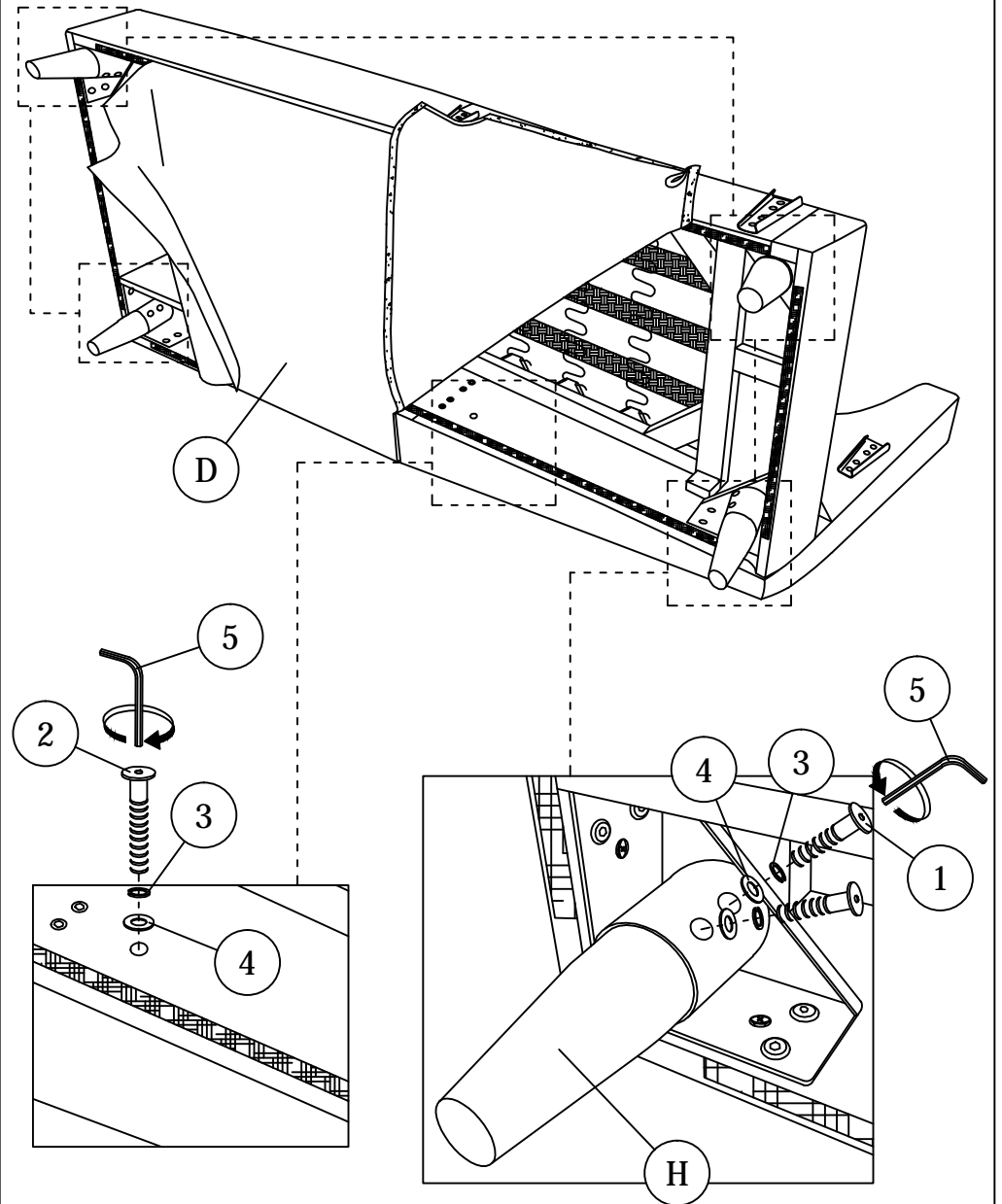


ASSEMBLY INSTRUCTIONS

STEP 3

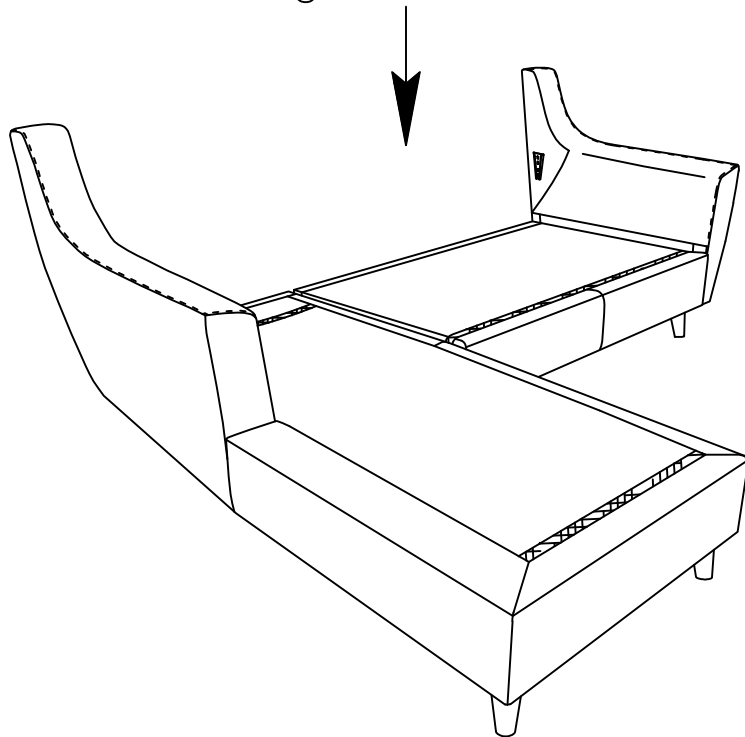
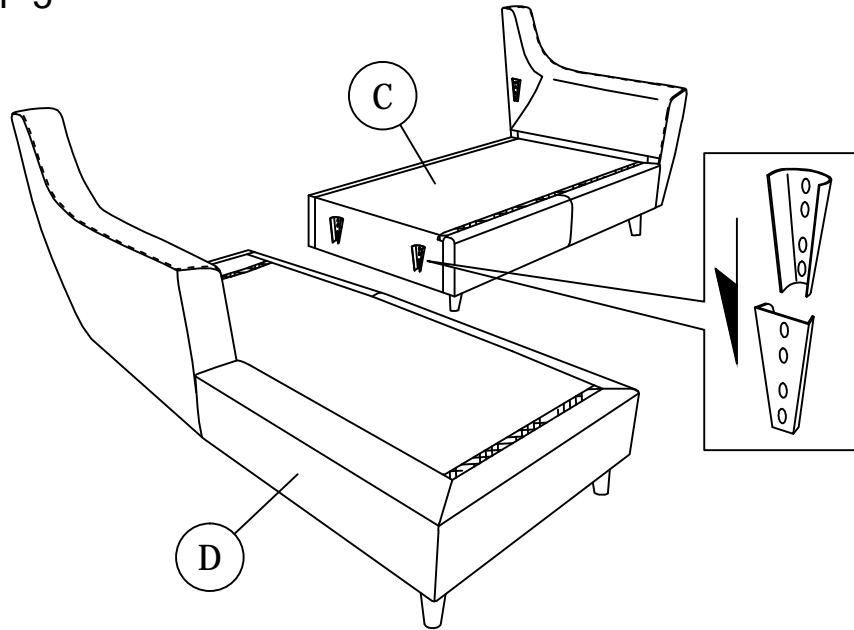


STEP 4

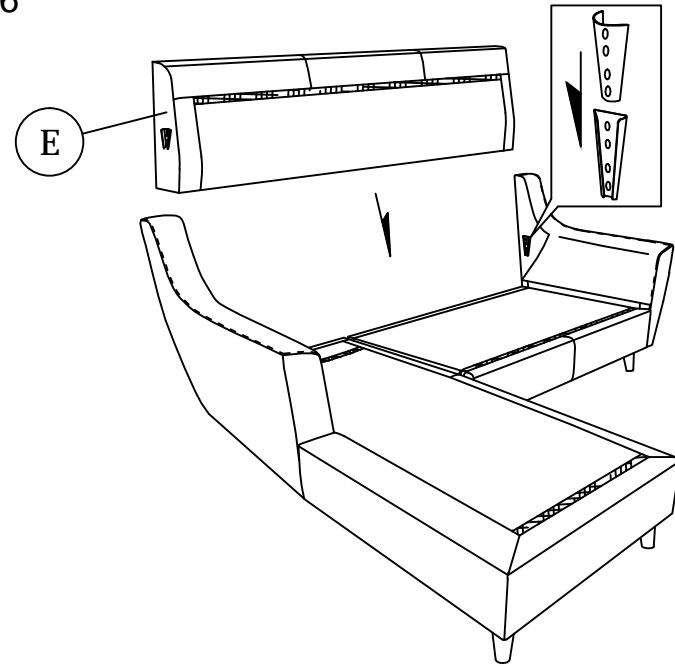


ASSEMBLY INSTRUCTIONS

STEP 5



STEP 6



STEP 7

