


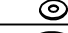





Read this instruction carefully. See hardware and furniture part list for guidance. Be sure all parts are complete, before you assemble. Place all wooden furniture parts on a clean and flat soft surface to prevent from being scratched. Follow the figure to start assembling.

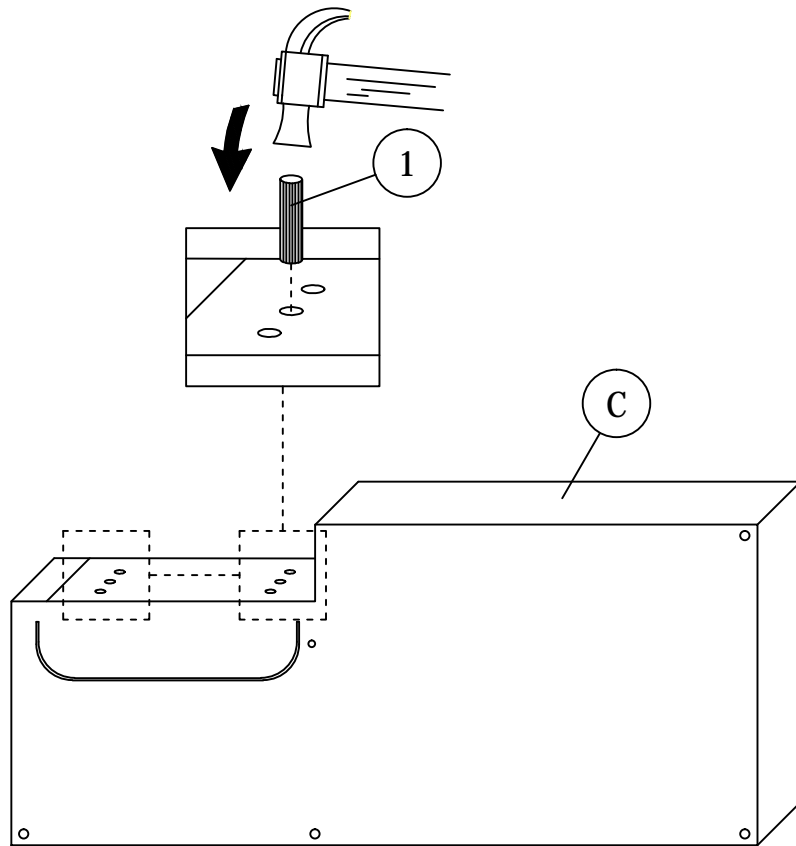
**CAUTIONS :** 1. Do not FULLY - TIGHTEN the nut or nut bolt until all nut or bolt is ready assembled.  
 2. Do not OVER - TIGHTEN the nut or bolt to avoid causing damages to the thread.  
 3. Keep all hardware parts out of reach of children.

**NOTE :** 1. THE LIST AND QUANTITY SHOWN ARE FOR 1 UNIT ASSEMBLY  
 2. EXTRA M4 ALLEN KEY WERE PROVIDED TO USE FOR TIGHTEN ALL HINGES OF PART A, B, C, D AND E.  
 3. Tool needed : Hammer (not provider).

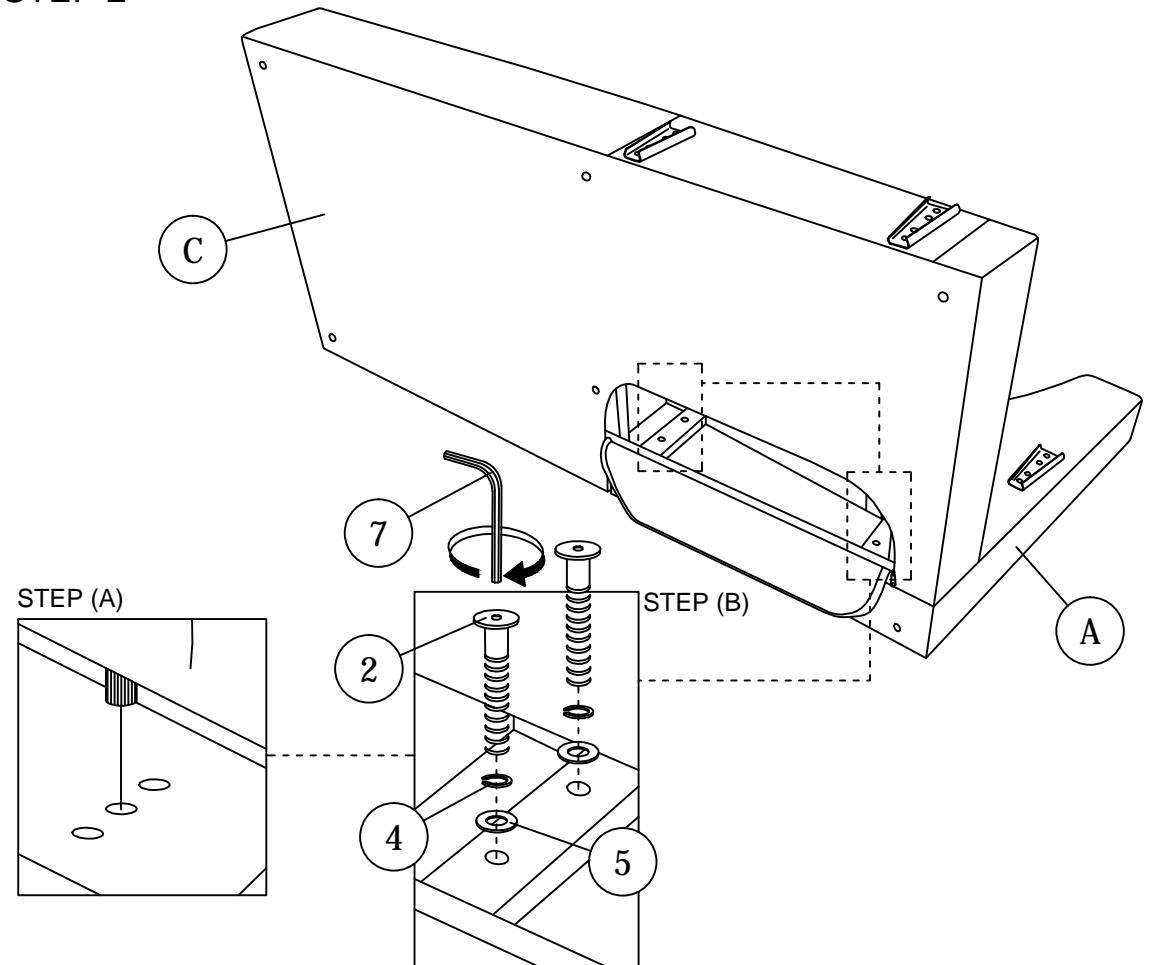
PART LIST		
ITEM	DESCRIPTION	QTY
A	ARM (L)	1 PC
B	ARM (R)	1 PC
C	L SHAPE BOX SEAT	1 PC
D	BOX SEAT	1 PC
E	CUSHION BACK	1 PC
F	L SHAPE CUSHION SEAT	1 PC
G	CUSHION SEAT	2 PCS
H	LEG	7 PCS
I	SUPPORT LEG	1 PC

HARDWARE LIST		
ITEM	DESCRIPTION	QTY
1	WOOD DOWEL M8 x 30mm 	2 PCS
2	JCBB Bolt M8 x 60mm 	4 PCS
3	JCBB Bolt M8 x 70mm 	7 PCS
4	M8 SPRING WASHER 	4 PCS
5	M8 FLAT WASHER 	4 PCS
6	M4 ALLEN KEY (BALL SHAPE) 	1pc
7	M5 ALLEN KEY (BALL SHAPE) 	1pc

## STEP 1

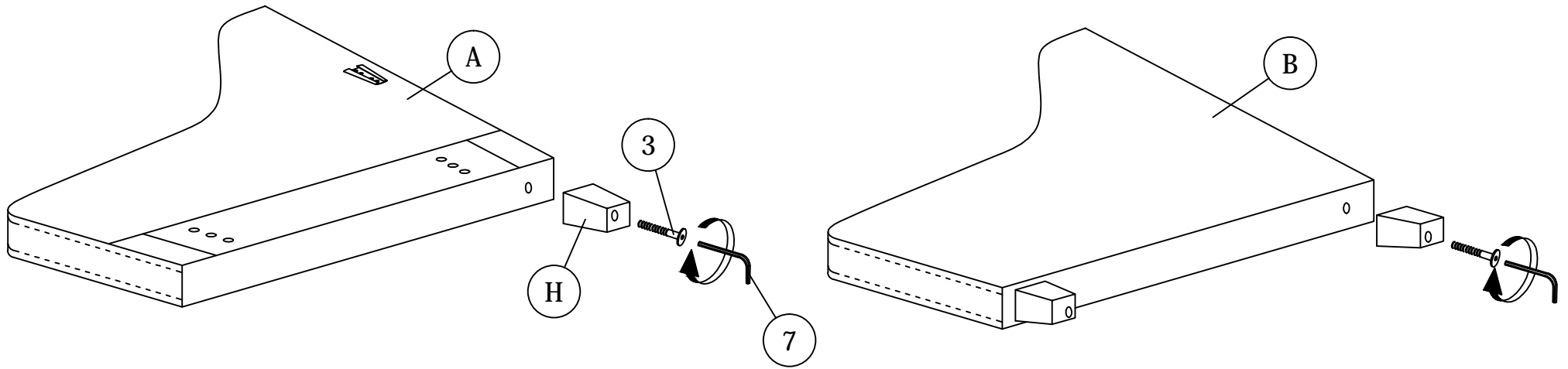


## STEP 2

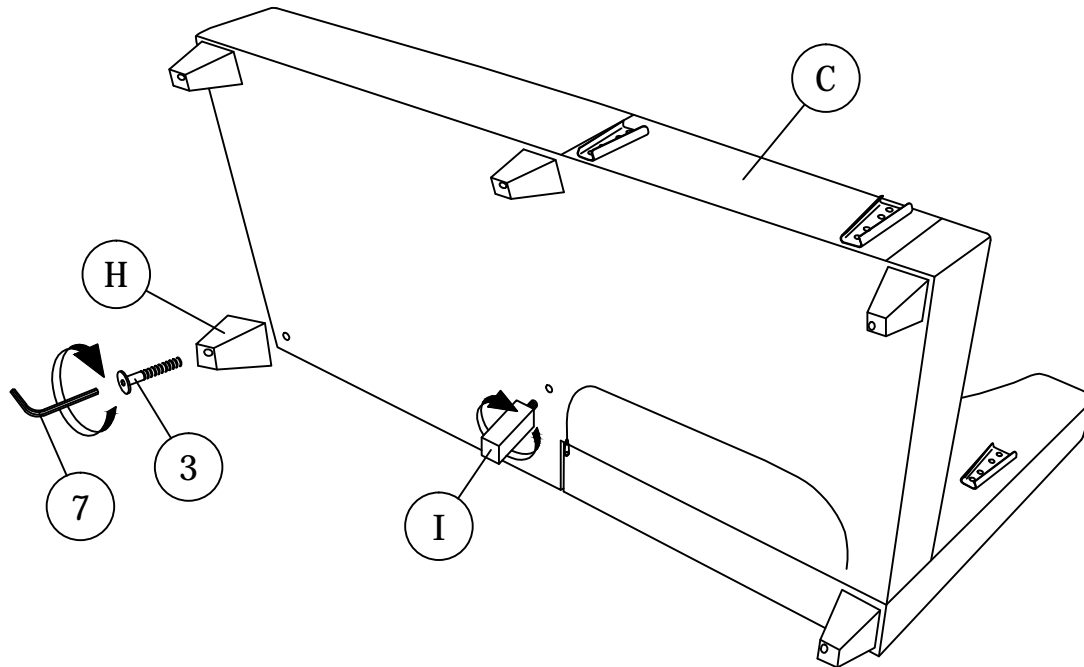


# ASSEMBLY INSTRUCTIONS

## STEP 3

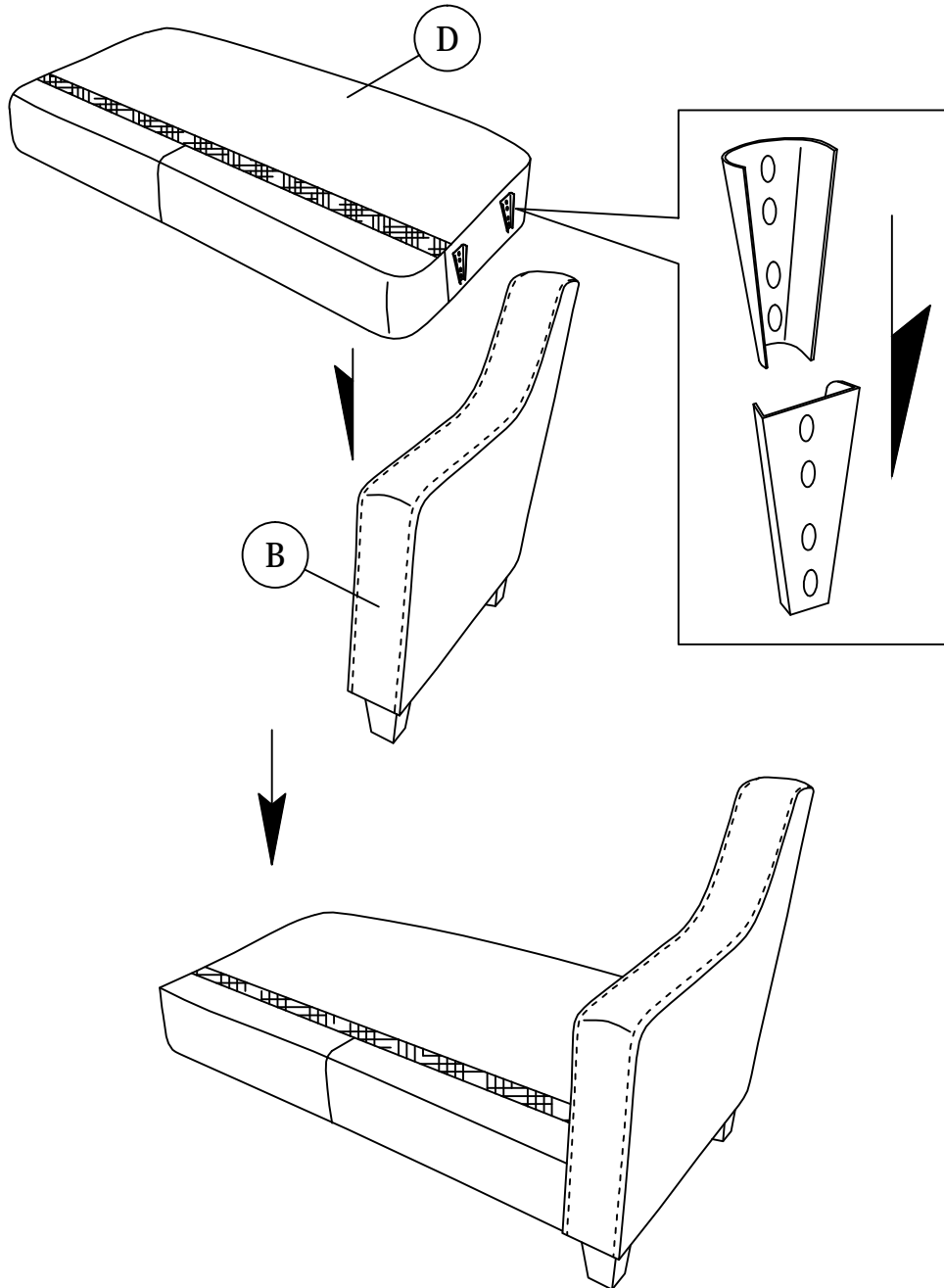


## STEP 4

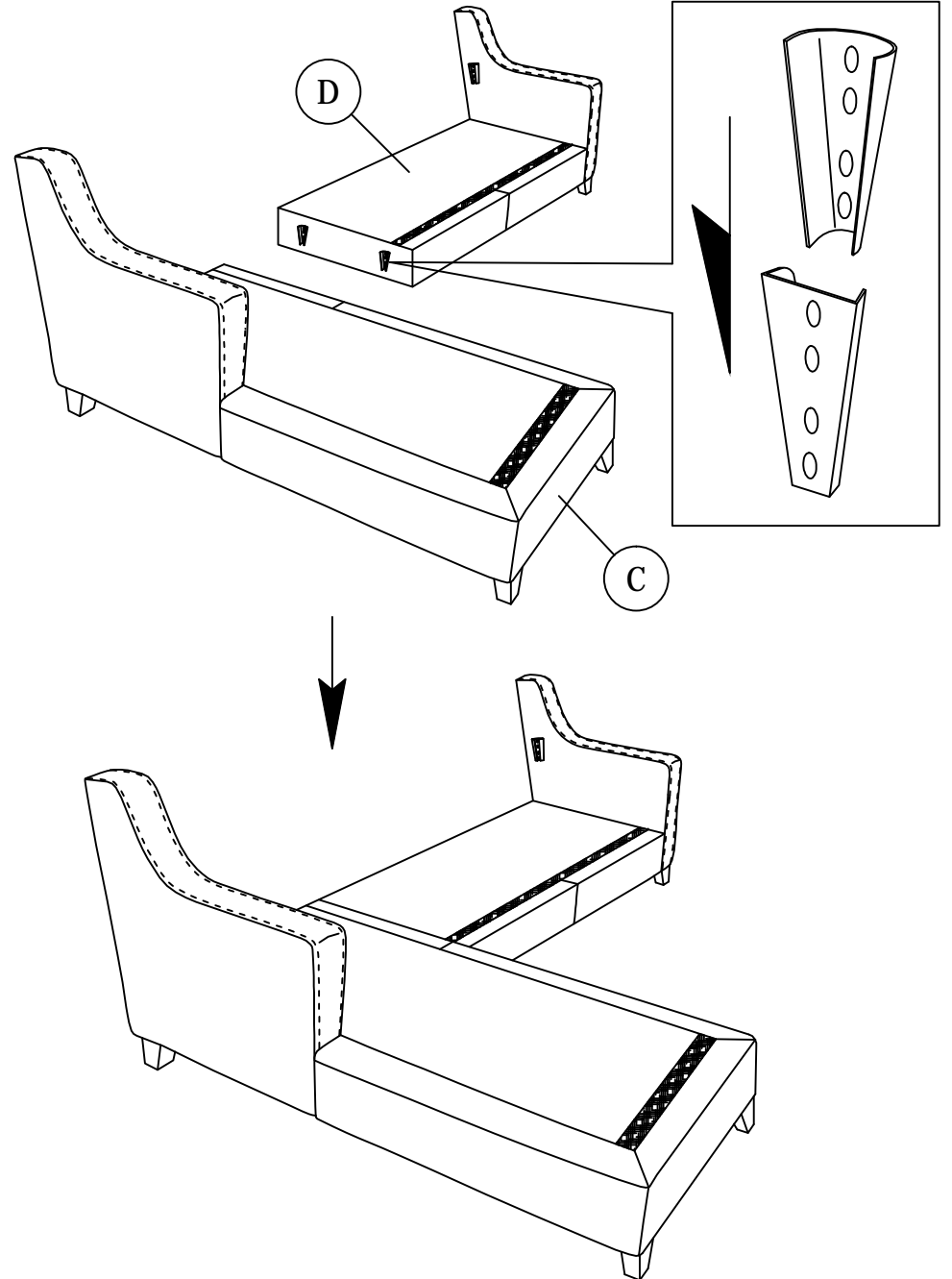


# ASSEMBLY INSTRUCTIONS

## STEP 5

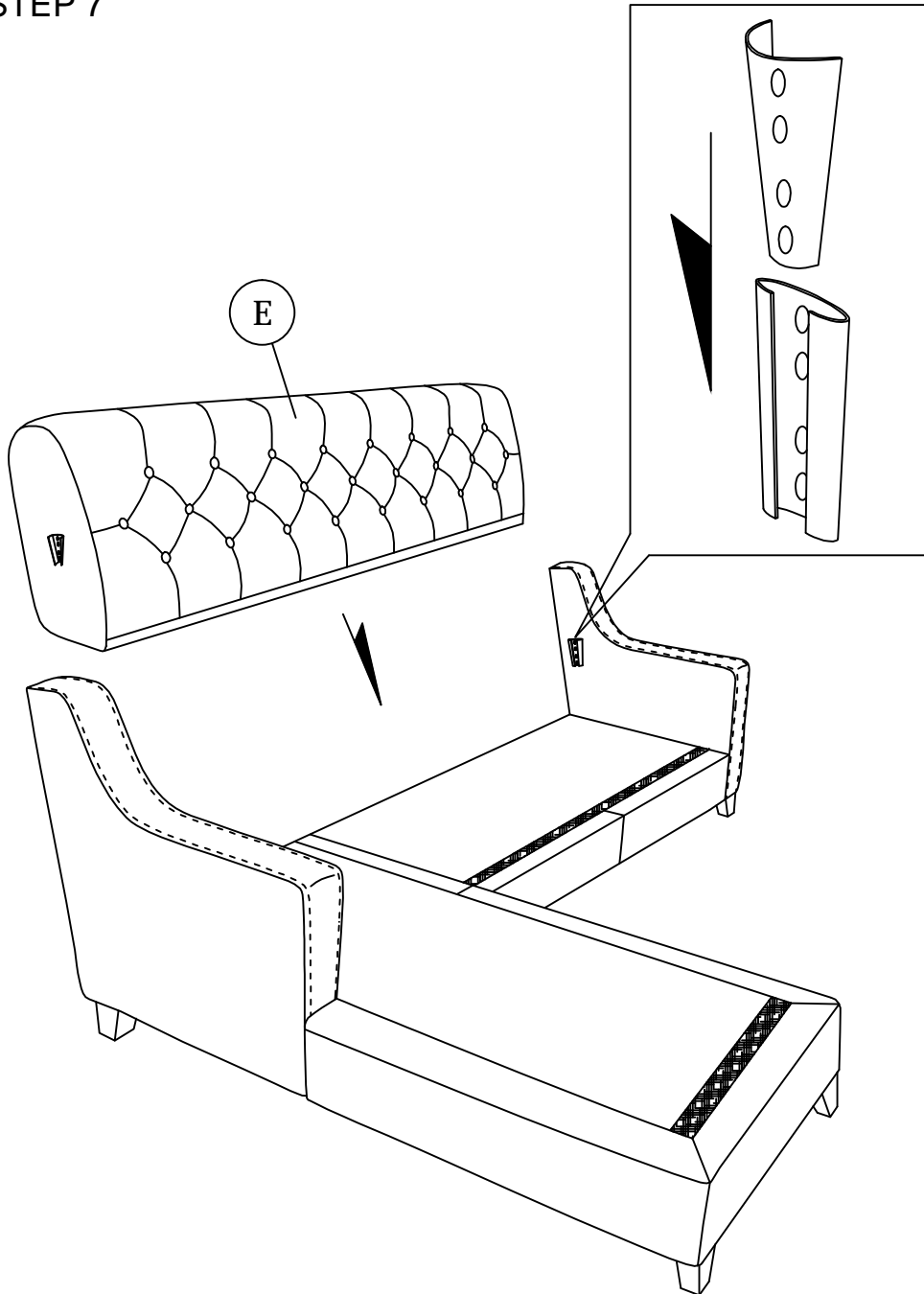


## STEP 6



# ASSEMBLY INSTRUCTIONS

STEP 7



STEP 8

