

Read this instruction carefully. See hardware and furniture part list for guidance. Be sure all parts are complete, before you assemble. Place all wooden furniture parts on a clean and flat soft surface to prevent from being scratched. Follow the figure to start assembling.

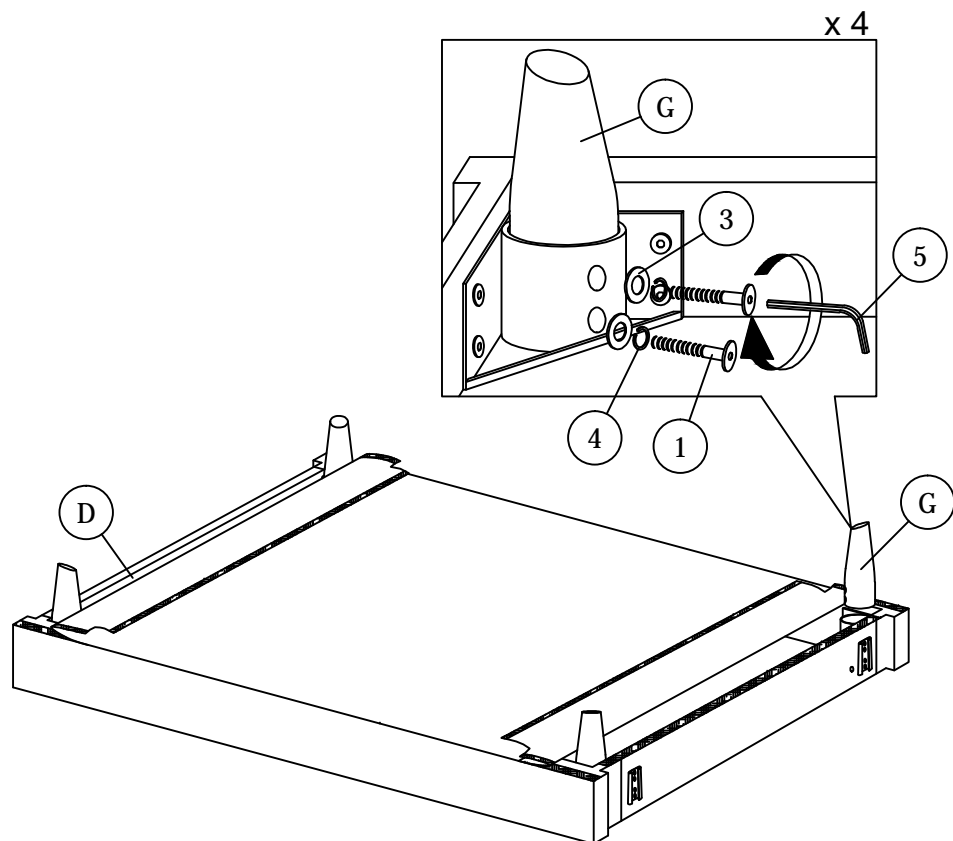
**CAUTIONS :** 1. Do not FULLY - TIGHTEN the nut or nut bolt until all nut or bolt is ready assembled.  
 2. Do not OVER - TIGHTEN the nut or bolt to avoid causing damages to the thread.  
 3. Keep all hardware parts out of reach of children.

NOTE : THE LIST AND QUANTITY SHOWN ARE FOR 1 UNIT ASSEMBLY.

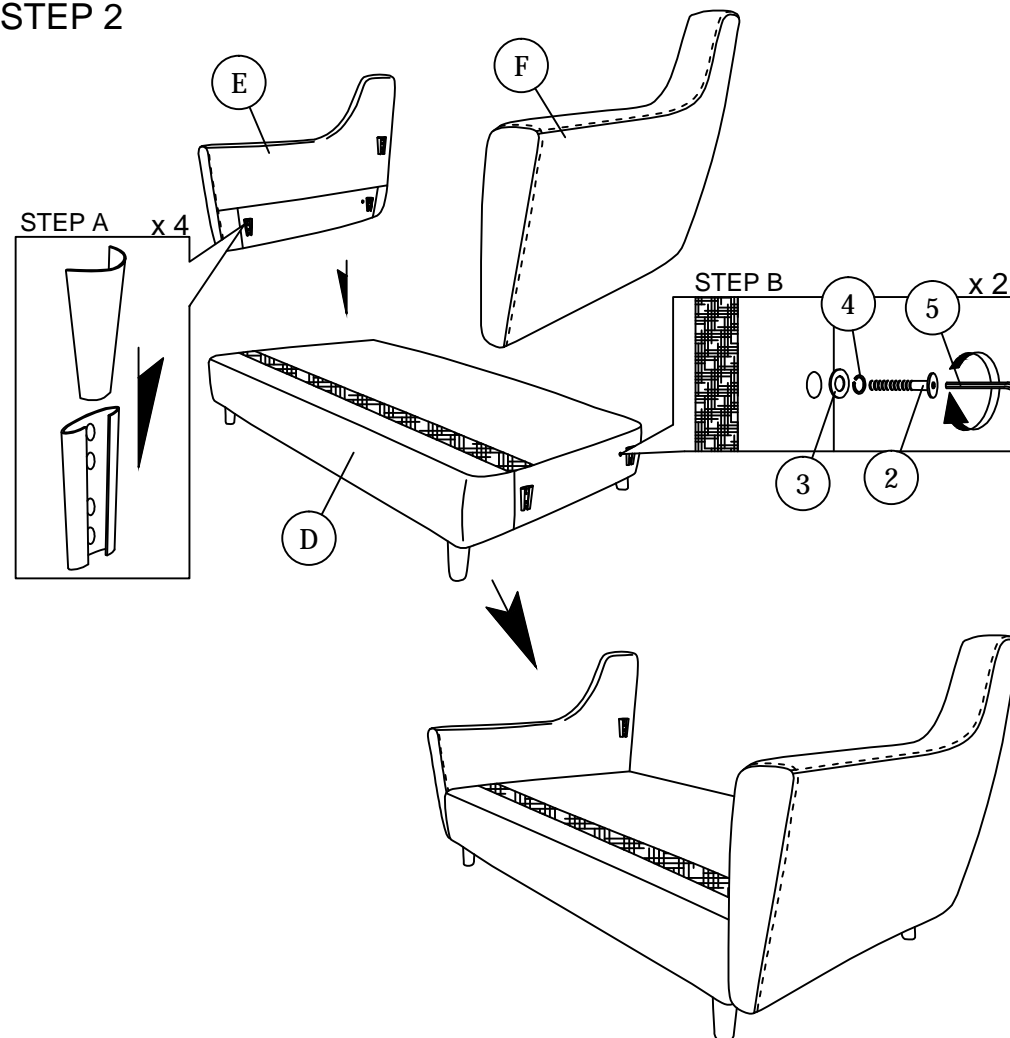
PART LIST		
ITEM	DESCRIPTION	QTY
A	CUSHION BACK	1 PC
B	CUSHION SEAT	3 PCS
C	PILLOW	3 PCS
D	BOX SEAT	1 PC
E	ARM (L)	1 PC
F	ARM (R)	1 PC
G	LEG	4 PCS

HARDWARE LIST		
ITEM	DESCRIPTION	QTY
1	JCBC Bolt M6 x 20mm 	8pcs
2	JCBC Bolt M6 x 50mm 	2pcs
3	M6 FLAT WASHER 	10pcs
4	M6 SPRING WASHER 	10pcs
5	M4 ALLEN KEY (BALL SHAPE) 	1pc

## STEP 1

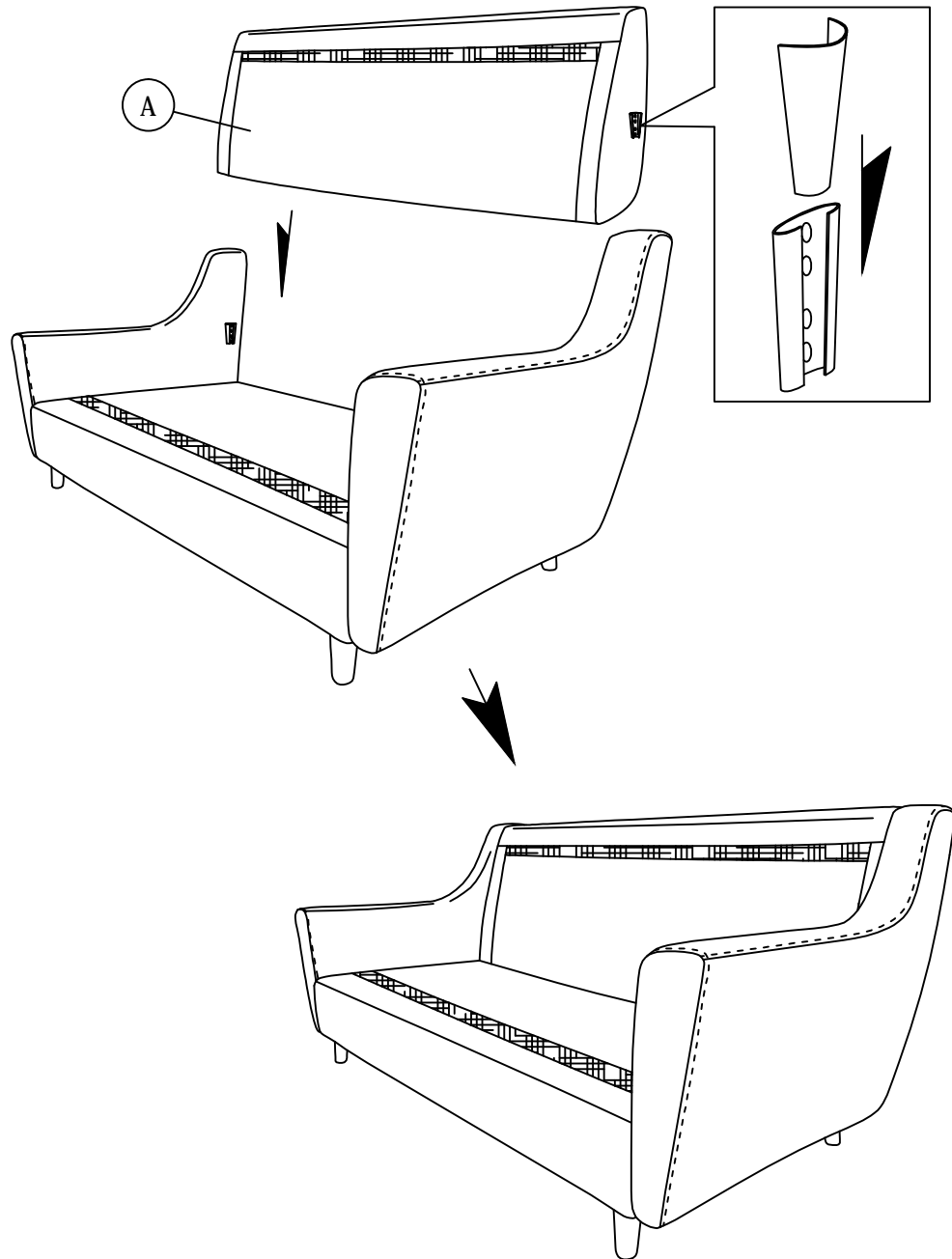


## STEP 2



# ASSEMBLY INSTRUCTIONS

STEP 3



STEP 4

