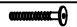

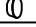



ASSEMBLY INSTRUCTIONS

Read this instruction carefully. See hardware and furniture part list for guidance. Be sure all parts are complete, before you assemble. Place all wooden furniture parts on a clean and flat soft surface to prevent from being scratched. Follow the figure to start assembling.

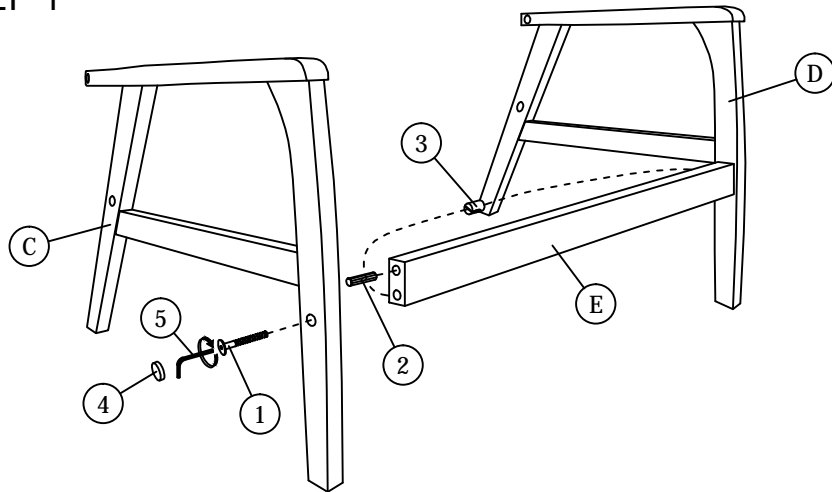
CAUTIONS : 1. Do not FULLY - TIGHTEN the nut or nut bolt until all nut or bolt is ready assembled.
 2. Do not OVER - TIGHTEN the nut or bolt to avoid causing damages to the thread.
 3. Keep all hardware parts out of reach of children.

PART LIST		
ITEM	DESCRIPTION	QTY
A	CUSHION BACK	1pc
B	CUSHION SEAT	1pc
C	ARM (L)	1pc
D	ARM (R)	1pc
E	FRONT RAIL	1pc

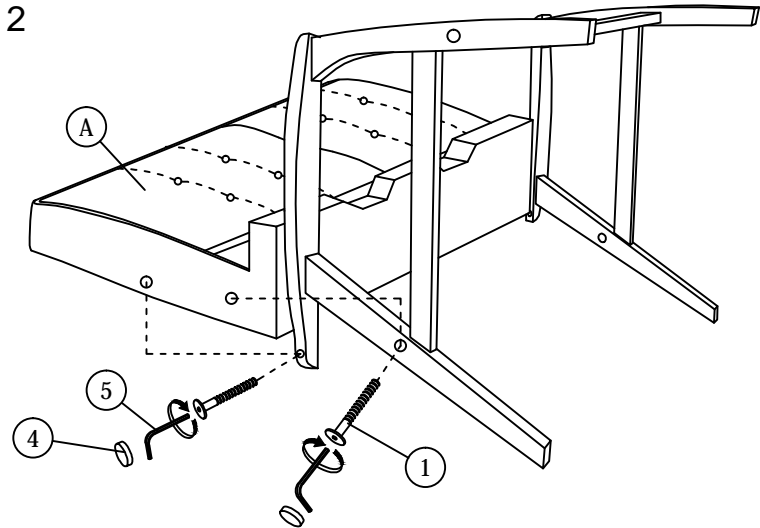
HARDWARE LIST		
ITEM	DESCRIPTION	QTY
1	JCBB Bolt M8 x 60mm 	6pcs
2	Wood Dowel M10 x 40mm 	2pcs
3	M8 Bran Nut 	2pcs
4	Wood Button Dia 18.5mm 	6pcs
5	M5 Allen Key (Ball Shape) 	1pc

NOTE : THE LIST AND QUANTITY SHOWN ARE FOR 1 UNIT ASSEMBLY.

STEP 1



STEP 2



STEP 3

