

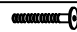


Read this instruction carefully. See hardware and furniture part list for guidance. Be sure all parts are complete, before you assemble. Place all wooden furniture parts on a clean and flat soft surface to prevent from being scratched. Follow the figure to start assembling.

CAUTIONS :

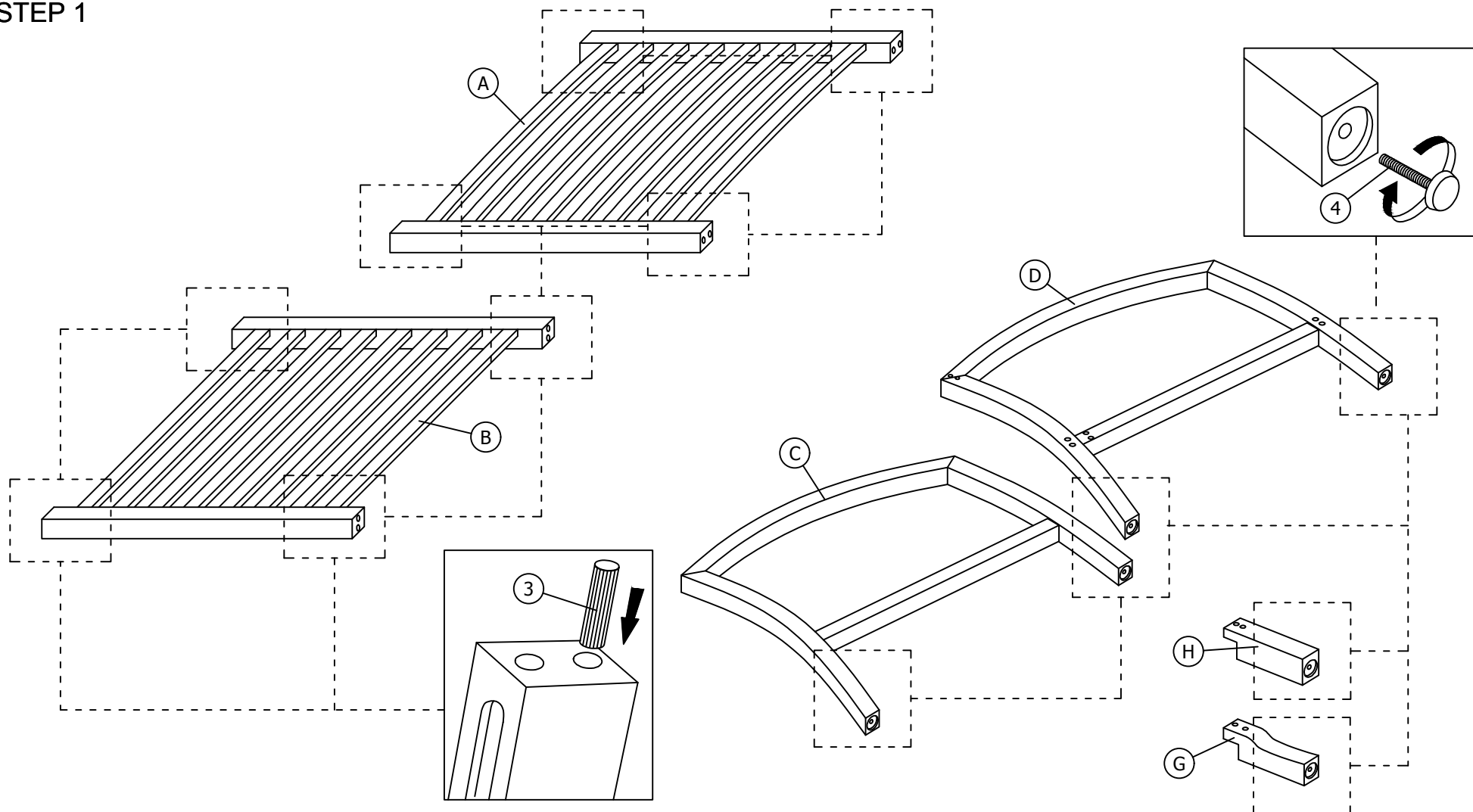
1. Do not FULLY - TIGHTEN the nut or nut bolt until all nut or bolt is ready assembled.
2. Do not OVER - TIGHTEN the nut or bolt to avoid causing damages to the thread.
3. Keep all hardware parts out of reach of children.

NOTE : THE LIST AND QUANTITY SHOWN ARE FOR 1 UNIT ASSEMBLY.

PART LIST		
ITEM	DESCRIPTION	QTY
A	BACK FRAME	1pc
B	SEAT FRAME	1pc
C	ARM (LEFT)	1pc
D	ARM (RIGHT)	1pc
E	CUSHION BACK	2pcs
F	CUSHION SEAT	2pcs
G	FRONT LEG	1pc
H	BACK LEG	1pc

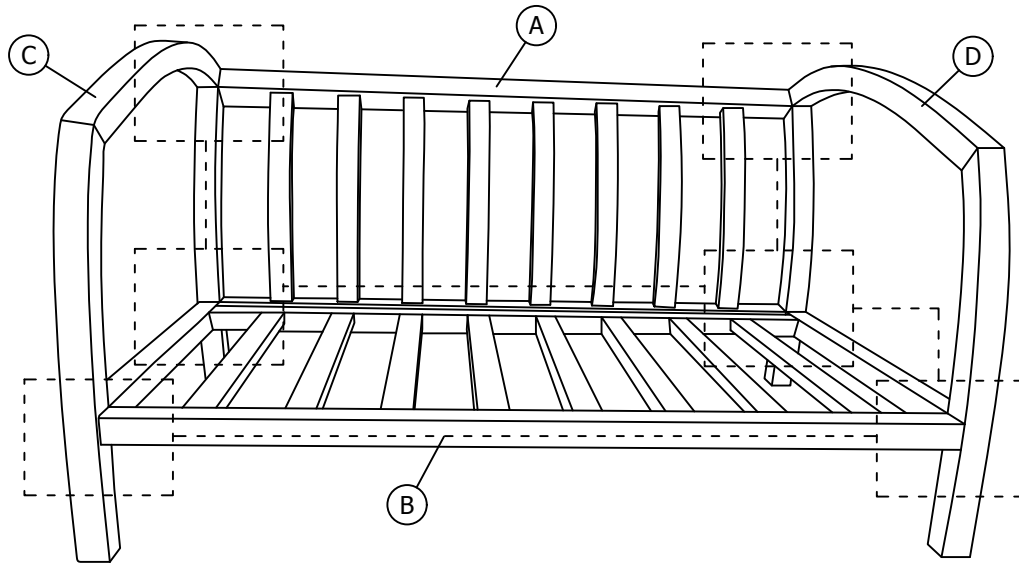
HARDWARE LIST		
ITEM	DESCRIPTION	QTY
1	JCBC Bolt M6 x 50mm 	12pcs
2	M6 x 12mm SPRING WASHER 	8pcs
3	WOOD DOWEL M10 x 40mm 	8pcs
4	M6 x 23mm ADJUSTER SCREW 	6pcs
5	SCREW PIN M6 (BLACK) 	8pcs
6	M4 ALLEN KEY (BALL SHAPE) 	1pc

STEP 1

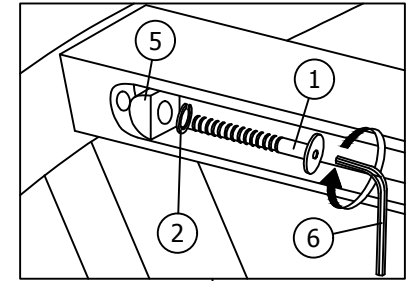


ASSEMBLY INSTRUCTIONS

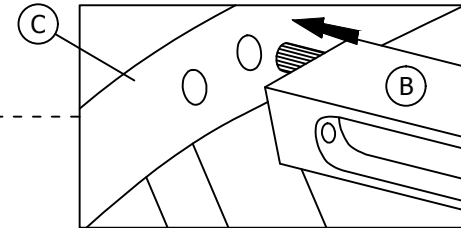
STEP 2



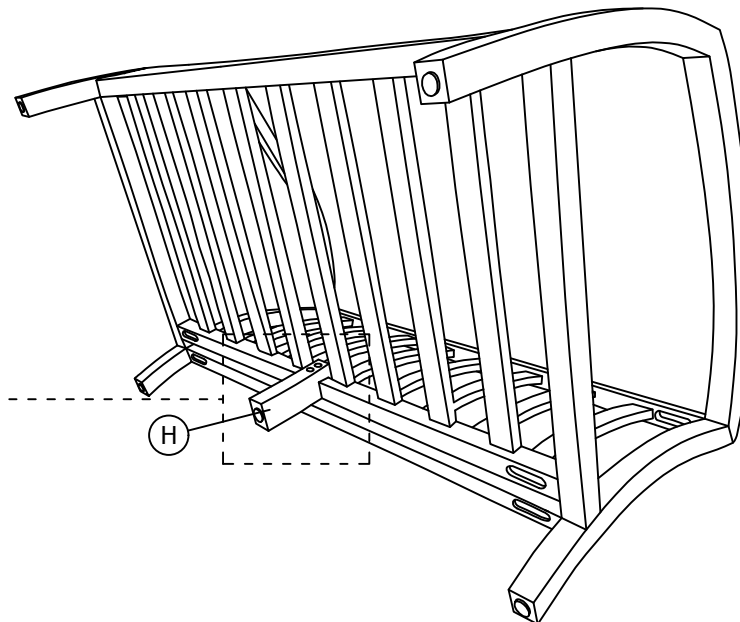
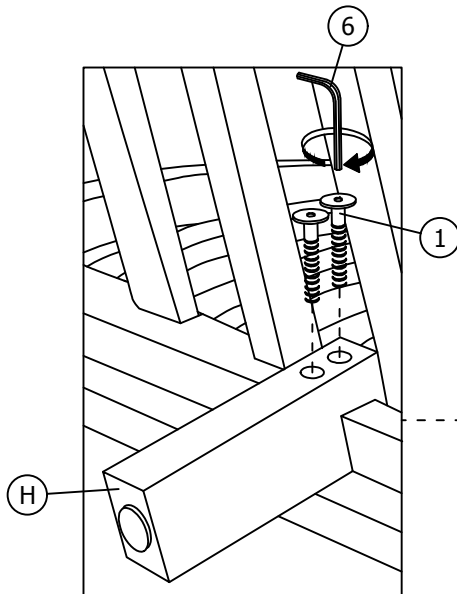
STEP B



STEP A

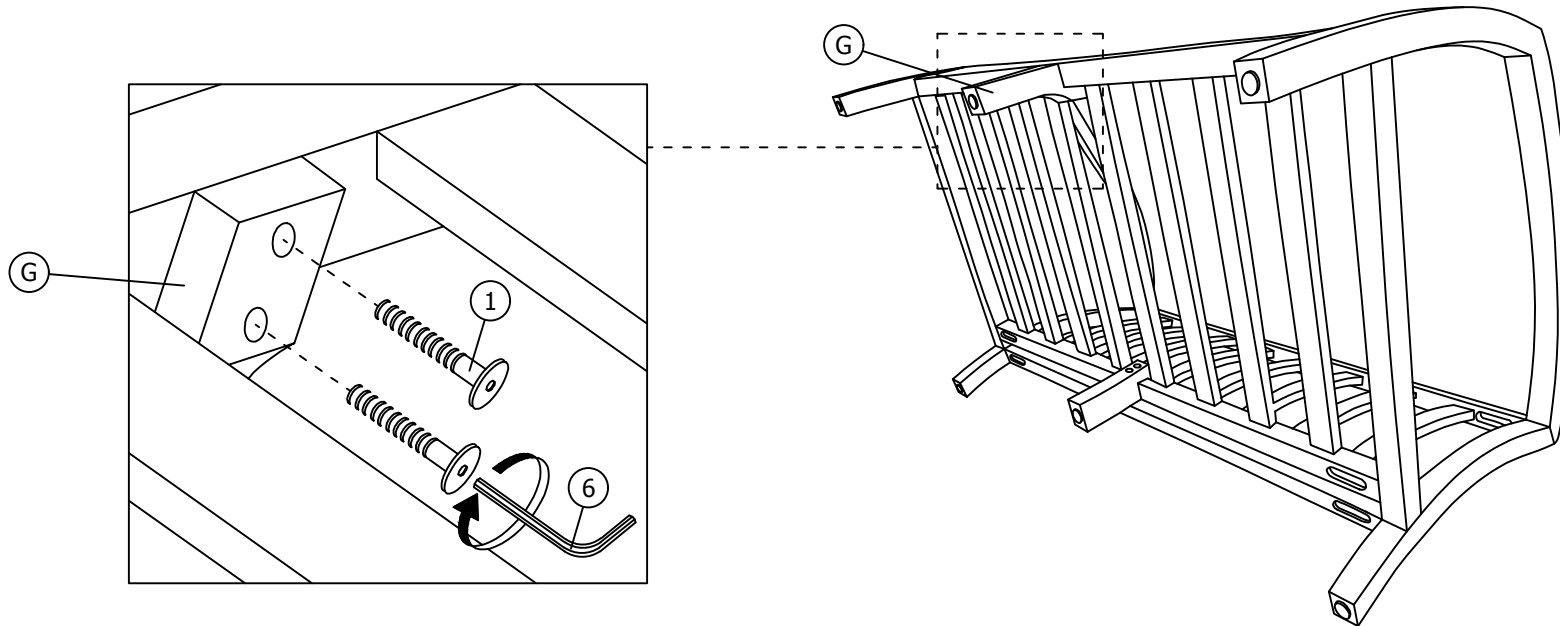


STEP 3



ASSEMBLY INSTRUCTIONS

STEP 4



STEP 5

