

VELDA LOUNGE CHAIR

ASSEMBLY INSTRUCTIONS

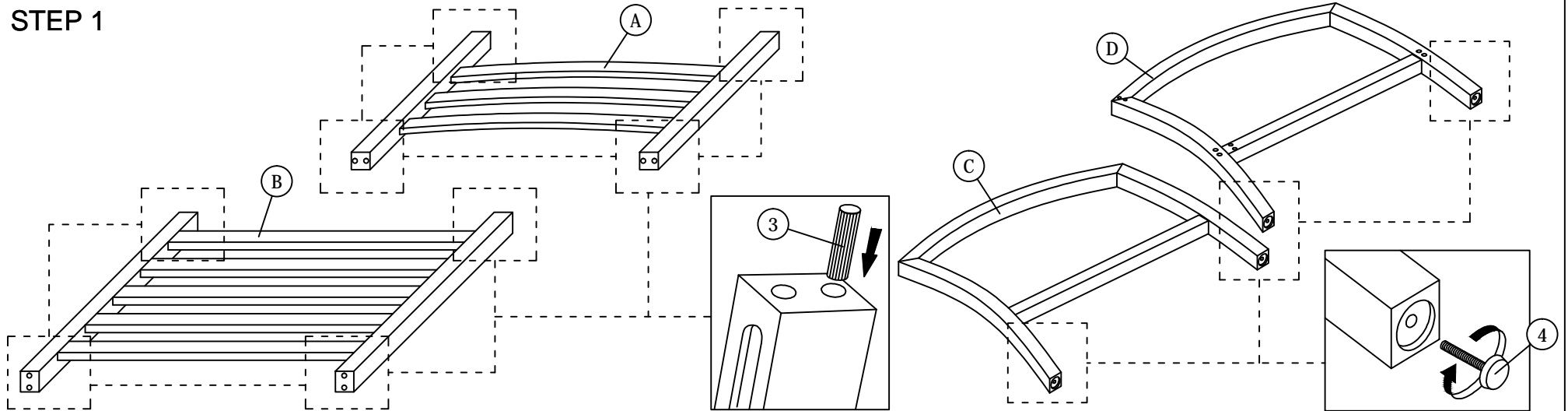
READ THE INSTRUCTION CAREFULLY. REMOVE ALL THE WRAPPING MATERIALS, STAPLES AND STRAPS FROM THE CARTON. REFER TO THE HARDWARE AND FURNITURE PARTS LIST AS A GUIDANCE. MAKE SURE YOU HAVE ALL THE PARTS BEFORE YOU START ASSEMBLING. PLACE ALL THE WOODEN FURNITURE PARTS ON A CLEAN, FLAT AND SOFT SURFACE SUCH AS CARPET TO PREVENT FROM SCRATCHES.

CAUTION: KEEP ALL HARDWARE PART OUT OF REACH OF CHILDREN.

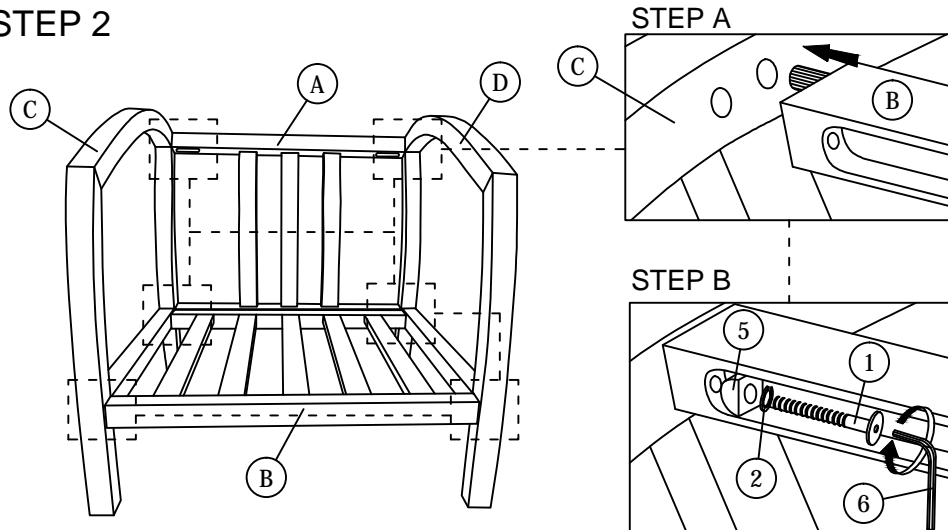
PART LIST		
ITEM	DESCRIPTION	QTY
A	CHAIR BACK	1pc
B	CHAIR SEAT	1pc
C	ARM (L)	1pc
D	ARM (R)	1pc
E	CUSHION BACK	1pc
F	CUSHION SEAT	1pc

HARDWARE LIST		
ITEM	DESCRIPTION	QTY
1	JCBC Bolt M6 x 50mm 	8pcs
2	M6 x 12mm Spring Washer 	8pcs
3	Wood Dowel M10 x 40mm 	8pcs
4	M6 x 23mm Adjuster Screw 	4pcs
5	Screw Pin M6 (Black) 	8pcs
6	M4 Allen Key (Ball Shape) 	1pc

STEP 1



STEP 2



STEP 3

